

# Joolz Geo<sup>3</sup>

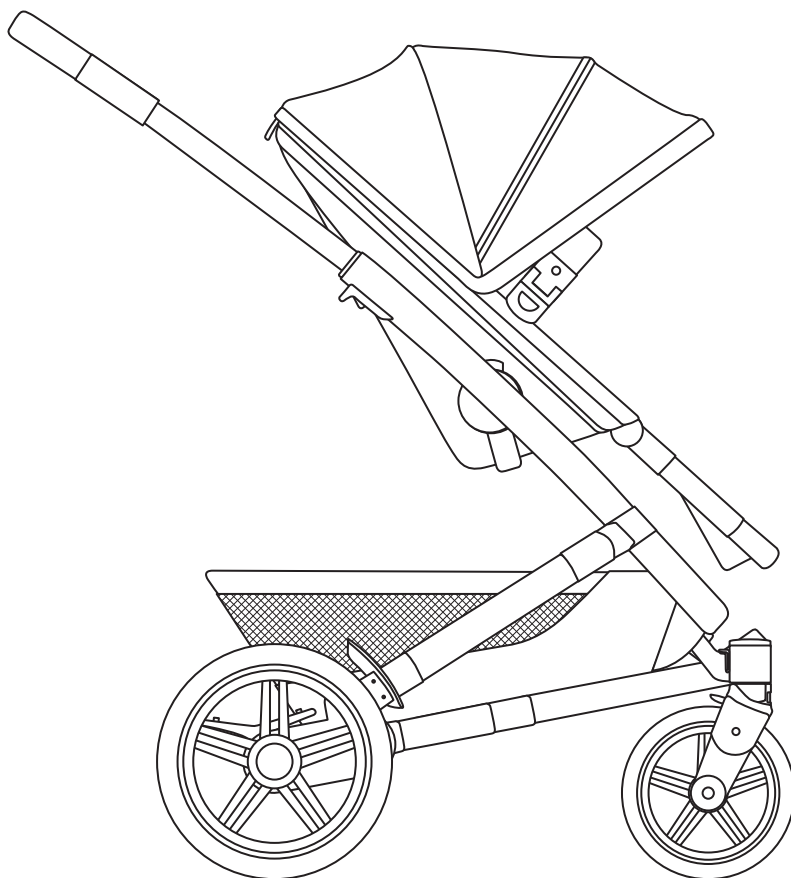
Instruction manual



10-Year transferable  
warranty



One stroller,  
one tree



Designed in The Netherlands

[joolz.com](https://www.joolz.com)

Brand of:

**Milk Design BV**

**Joolz HQ**

Distelweg 89  
1031 HD Amsterdam  
The Netherlands  
info@joolz.com  
+31 206 304 887

**Joolz USA Inc.**

PO Box 4530  
New York  
NY 10163-4530  
info.us@joolz.com  
+1 (347) 252-4556

**joolz.com**

**facebook.com/myJoolz**



10-Year transferable  
warranty



One stroller,  
one tree

en	Instruction manual	ee	Kasutusjuhend
de	Gebrauchsanweisung	lv	Lietošanas instrukcija
nl	Gebruiksaanwijzing	lt	Instrukcijų vadovas
fr	Manuel d'instructions	sl	Navodila za uporabo
es	Manual de instrucciones	hr	Priručnik za upotrebu
pt	Manual de instruções	cs	Návod k použití
it	Manuale di istruzioni	bg	Инструкция
sv	Bruksanvisning	ro	Manual de instrucțiuni
no	Bruksanvisning	sr	Priručnik za upotrebu
fi	Käyttöopas	hu	Használati útmutató
da	Instruktioner	sk	Návod na použitie
ru	Инструкция по эксплуатации	gr	Οδηγίες χρήσης
pl	Instrukcja obsługi	ar	دليل تعليمات الاستعمال
uk	Інструкція з експлуатації	za	Handleiding

# JOOLZ

**IMPORTANT:** Read carefully and keep for future reference.

**WICHTIG:** Bitte sorgfältig lesen und für späteres Nachlesen unbedingt aufbewahren.

**BELANGRIJK:** Lees zorgvuldig en bewaar voor latere raadpleging.

**IMPORTANT:** A lire attentivement et à conserver pour référence ultérieure.

**IMPORTANTE:** Leer detenidamente y mantenerlas para futuras consultas.

**IMPORTANTE:** Leia cuidadosamente e guarde para referência futura.

**IMPORTANTE:** Leggere attentamente e conservare per futuro riferimento.

**VIKTIGT:** Läs noggrant och spara för framtida bruk.

**VIKTIG:** Les nøye og oppbevar for fremtidig bruk.

**TÄRKEÄÄ:** Lue huolellisesti ja säilytä vastaisuuden varalle.

**VIGTIGT:** Læs omhyggeligt og gem til senere brug.

**ВАЖНО:** Внимательно прочитайте данную инструкцию перед использованием изделия, и сохраните ее для дальнейшего использования.

**WAŻNE!** Przeczytaj uważnie i zachowaj na przyszłość jako odniesienie.

**ВАЖНО:** Внимательно прочитайте данную инструкцию перед использованием изделия, и сохраните ее для дальнейшего использования.

**TÄHTIS!:** Lugege hoolikalt ja hoidke alles edaspidiseks kasutamiseks.

**SVARĪGI!:** Pirms lietošanas uzmanīgi izlasiet šo instrukciju, un vēlāk to turiet pa rokai, lai būtu kur ieskatīties.

**SVARBU:** Atidžiai perskaitykite ir saugokite, kad vėliau galėtumėte pasiskaityti.

**POMEMBNO:** Pred uporabo pozorno preberite navodila in jih shranite kot napotek za v prihodnje.

**VAŽNO:** Pažljivo pročítajte ove upute prije upotrebe i sačuvajte ih za ubuduće.

**DŮLEŽITÉ!:** Pokyny si pozorně přečtěte a uschovejte pro pozdější použití.

**ВАЖНО!:** Прочетете внимателно и запазете за бъдещи справки.

**IMPORTANT:** citiți cu atenție și păstrați acest document pentru consultare ulterioară.

**VAŽNO:** pažljivo pročitajte ova uputstva pre korišćenja i sačuvajte ih za kasnije.

**FONTOS:** Figyelmesen olvassa el és őrizze meg későbbi felhasználás esetére.

**DÔLEŽITÉ:** Pred použitím prečítajte pozorne tento návod a uschovajte ho pre budúcu potrebu.

**ΣΗΜΑΝΤΙΚΟ:** Διαβατε προσεκτικα τις οδηγιες και φυλαξτε τες γιατι μπορεί να τις χρειασείτε στο μελλον.

# Index

<b>Introduction</b>	10
Einleitung - introduction	
<b>What's in the box?</b>	11
Was ist im Karton? - dans la boîte?	
<b>Get me ready</b>	13
Vorbereitung - préparons-nous!	
<b>Assembling the seat</b>	15
Zusammenbau Sitz - montage du hamac	
<b>How to use</b>	16
Nutzungshinweise - comment utiliser	
<b>How to use the cot</b>	17
Wie nutze ich die Wanne - comment utiliser la nacelle	
<b>How to use the seat</b>	19
Wie nutze ich den Sitz - comment utiliser le hamac	
<b>How to use the restraint system</b>	21
Wie nutze ich den Sicherheitsgurt - comment utiliser le système de sécurité	
<b>How to use the buckle</b>	21
Benutzung der Schnalle - comment utiliser la boucle d'attache	
<b>How to use the brake</b>	22
Nutzungshinweise Bremse - comment utiliser le frein	
<b>How to use the swivel lock</b>	22
Nutzungshinweise Vorderrad Arretierung	



<b>Compact storage</b>	23
Kompakte Aufbewahrung - stockage compact	
<b>How to fold with the cot</b>	24
Zusammenklappen mit Wanne - comment plier la poussette	
<b>How to fold with the seat</b>	26
Zusammenklappen mit Sitz - comment plier la poussette	
<b>Warnings</b>	28
Warnhinweise - avertissements	
<b>Maintenance</b>	31
Pflege - entretien	
<b>Warranty</b>	137
Garantie - garantie	

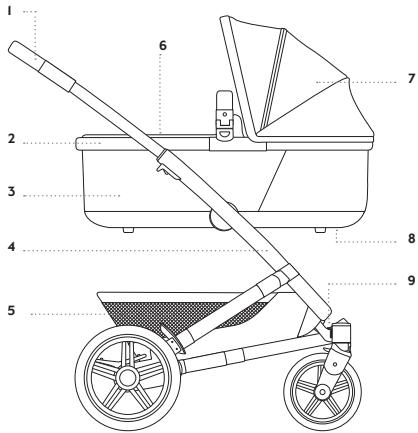


**How to movies:**

[www.youtube.com/JoolzHQ](http://www.youtube.com/JoolzHQ)

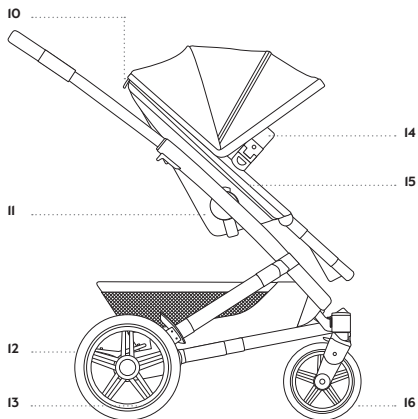
# Introduction

Einleitung - introduction



45- 75 cm/17.7-29.5 in

- 1 **Handlebar** Schiebegriff - guidon
- 2 **Cot frame**
- 3 **Cot fabric** Wannenbekleidung - habillage de la nacelle
- 4 **Chassis** Gestell - châssis
- 5 **Basket fabric**
- 6 **Cot cover** Wannenabdeckung - tablier de la nacelle
- 7 **Sun hood**
- 8 **Cot release button**
- 9 **Swivel lock**

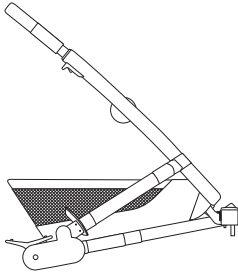


67-100 cm/26.4-39.4 in

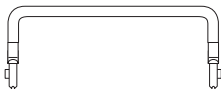
- 10 **Seat recline button**
- 11 **Seat fabric** Abnehmbare Sitzbekleidung - habillage amovible du hamac
- 12 **Brake** Bremse - frein
- 13 **Rear wheels** Hinterräder - roues arrière
- 14 **Rotatable bumper bar** Sicherheitsbügel - arceau de maintien rotatif
- 15 **Restraint system** Rückhaltesystem - système de sécurité
- 16 **Front wheels** Schwenkräder - roues avant

# What's in the box?

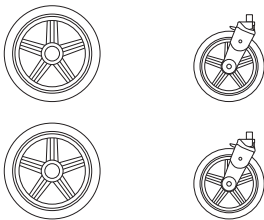
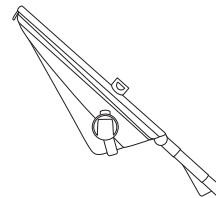
Was ist im Karton? - dans la boîte?



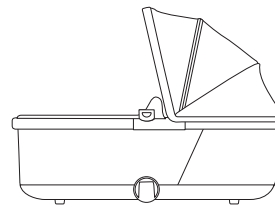
**1x Chassis + 1x basket**  
Gestell + Korb - châssis + panier



**1x Rotatable bumper bar**  
Sicherheitsbügel  
arceau de maintien rotatif



**2x Front wheels + 2x rear wheels**  
Schwenkräder + Hinterräder  
roue avant + roue arrière





## One stroller, one tree

Every Joolz on the street is a tree in one of our Birth Forests in Asia, Africa, Europe or South America. When you buy a stroller or buggy your tree joins hundreds of thousands of others in helping to make the world just a little bit greener.



## 10-Year transferable warranty

We make the best strollers for parents, babies and the planet. That's why our strollers and buggies are designed to last a lifetime. With our 10-Year transferable warranty you contribute to a better world for your child. And, it doesn't end there. When selling or gifting your stroller to a new person, our warranty is transferable. This means that other families can enjoy your stroller too. Every step counts.

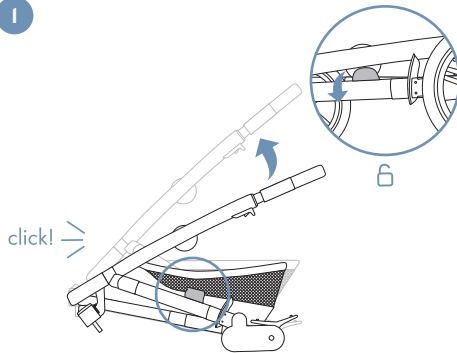
# Get me ready

Vorbereitung - préparons-nous!

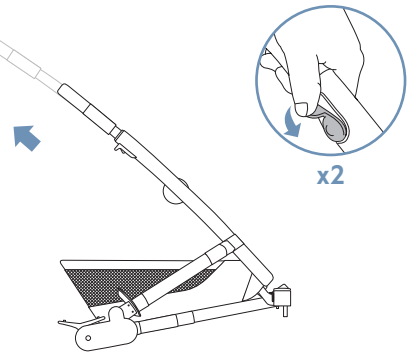


5 min

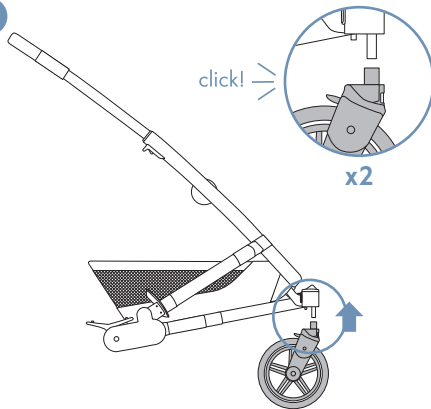
1



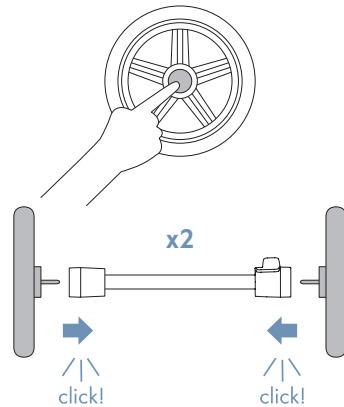
2



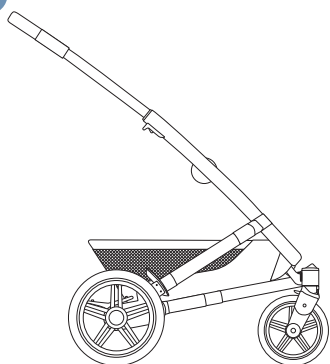
3



4



5

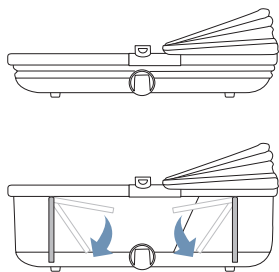


**WARNING:** to avoid injury ensure that your child/children are safe from moving parts when unfolding, folding and adjusting this product.

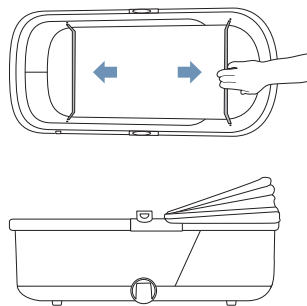
**WARNUNG:** Vergewissern Sie sich, dass Ihr Kind beim Aufklappen und Zusammenklappen des Wagens außer Reichweite ist, um Verletzungen zu vermeiden.

**AVERTISSEMENT:** pour éviter les blessures, assurez-vous que votre enfant est en sécurité, à l'écart des pièces en mouvement lors du dépliage, du pliage et de l'ajustement de ce produit.

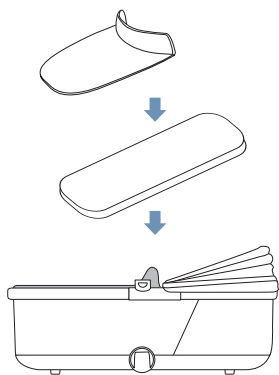
6



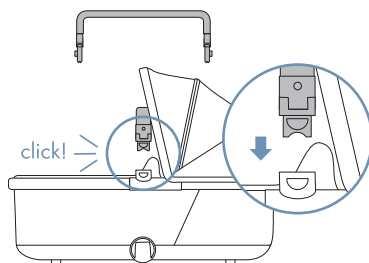
7



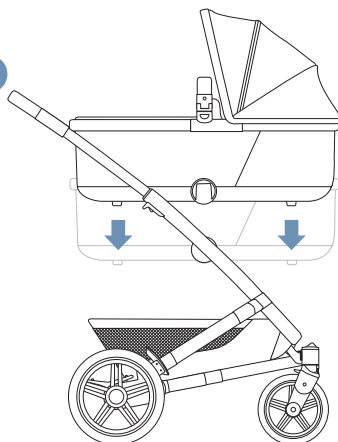
8



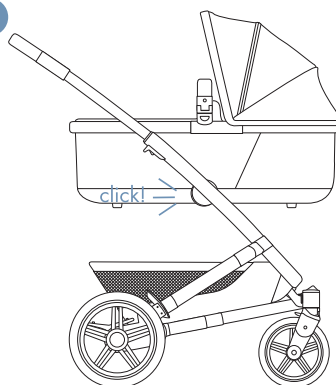
9



10



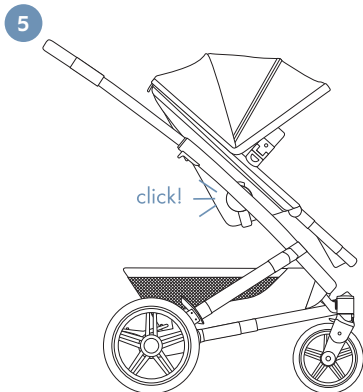
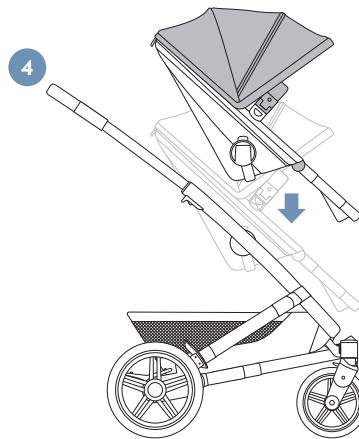
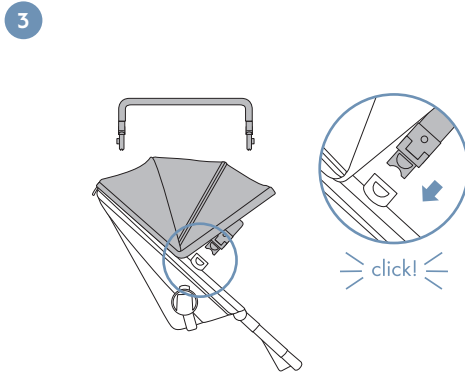
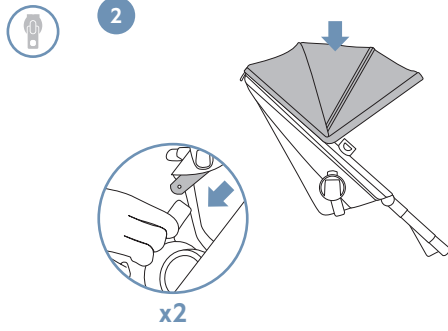
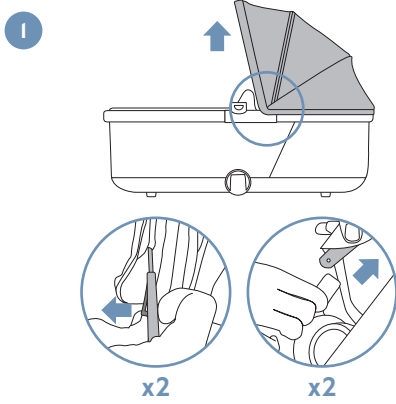
11



# Assembling the seat

Zusammenbau Sitz - montage du hamac

5 min



# How to use

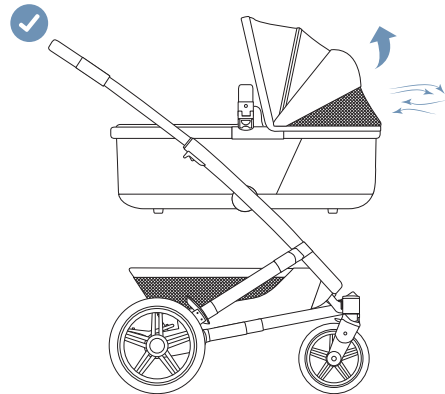
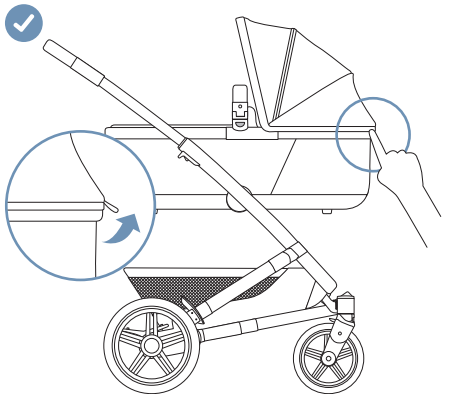
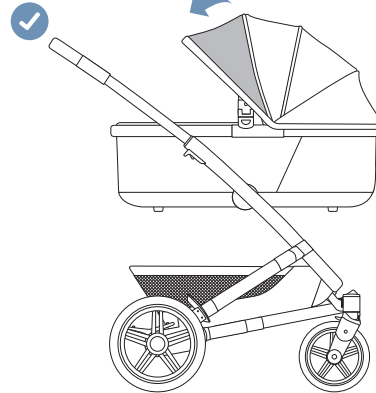
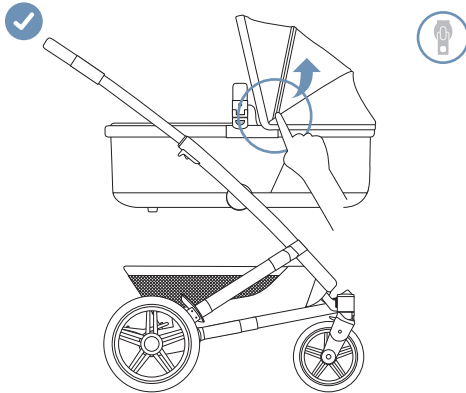
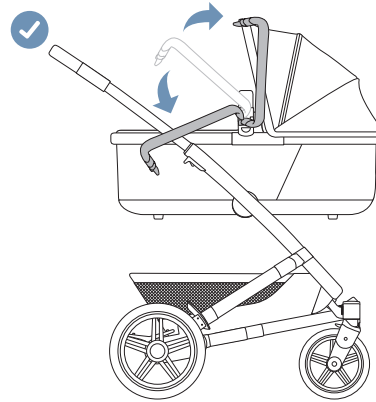
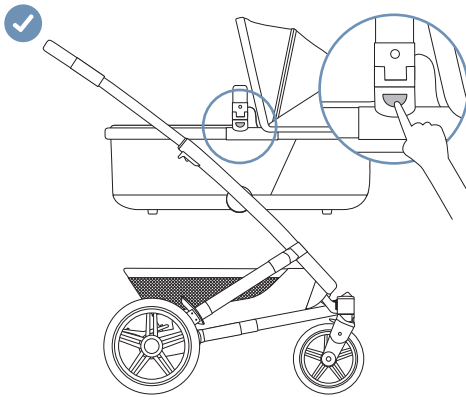
## Nutzungshinweise - comment utiliser

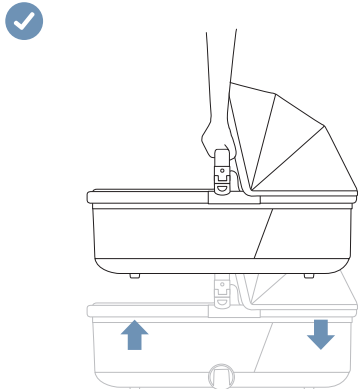
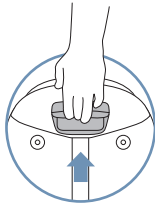
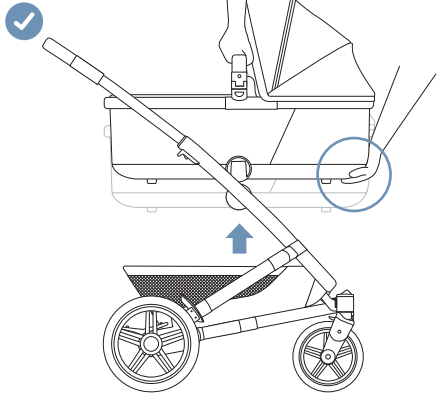
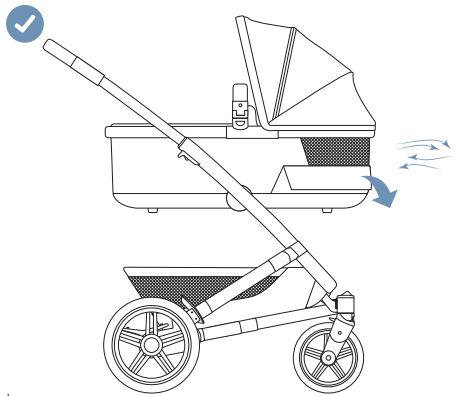
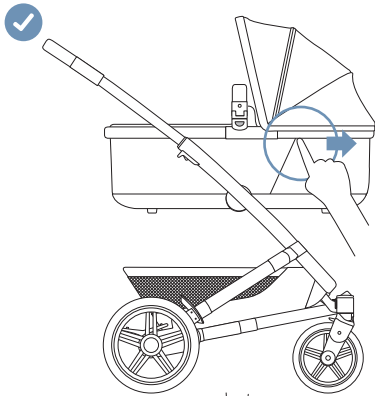
<b>How to use the cot</b>	17
Wie nutze ich die Wanne - comment utiliser la nacelle	
<b>How to use the seat</b>	19
Wie nutze ich den Sitz - comment utiliser le hamac	
<b>How to use the restraint system</b>	21
Wie nutze ich den Sicherheitsgurt - comment utiliser le système de sécurité	
<b>How to use the buckle</b>	21
Benutzung der Schnalle - comment utiliser la boucle d'attache	
<b>How to use the brake</b>	22
Nutzungshinweise Bremse - comment utiliser le frein	
<b>How to use the swivel lock</b>	22
Nutzungshinweise Vorderrad Arretierung	



# How to use the cot

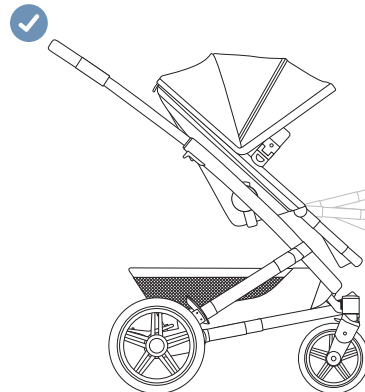
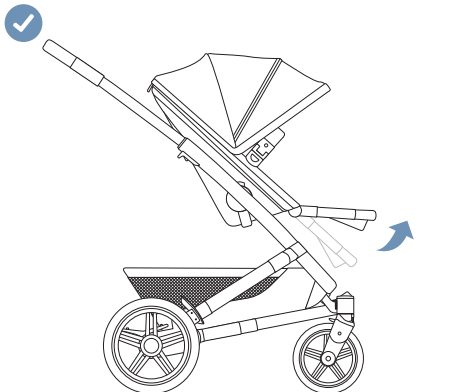
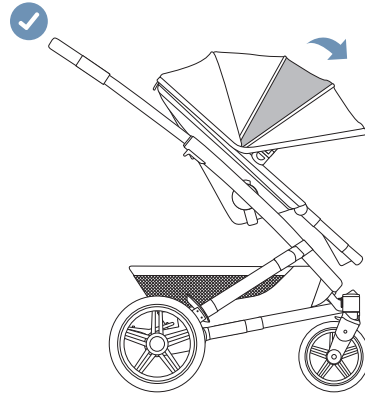
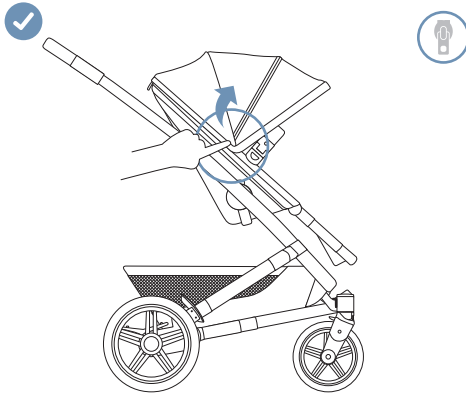
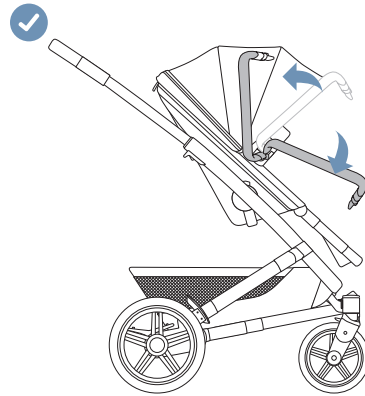
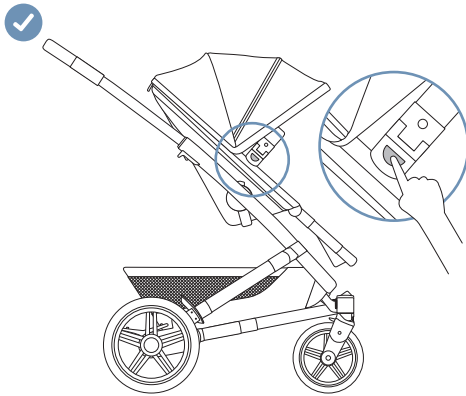
Wie nutze ich die Wanne - comment utiliser la nacelle

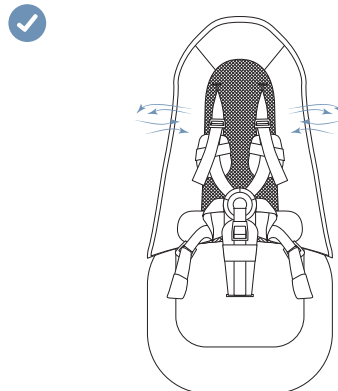
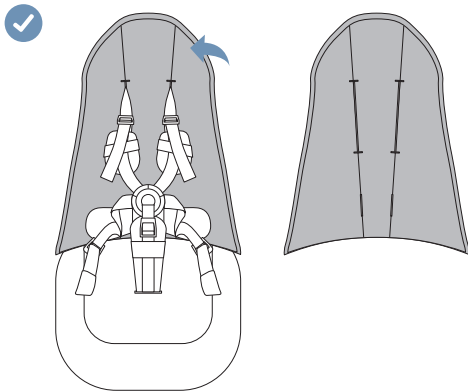
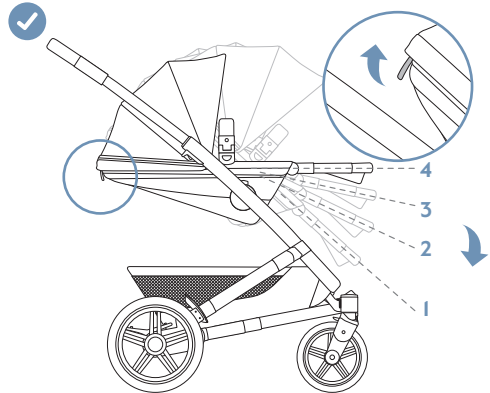
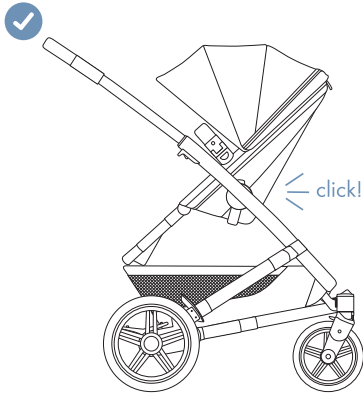
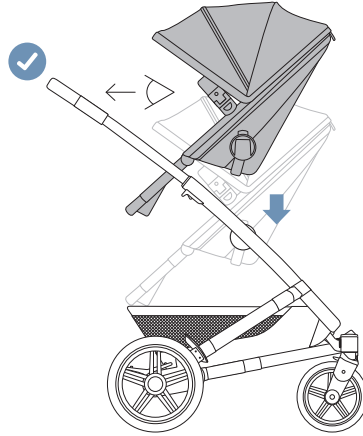
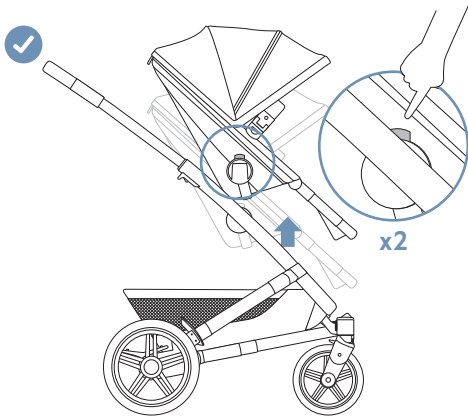




# How to use the seat

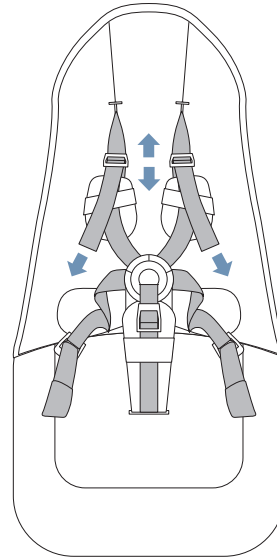
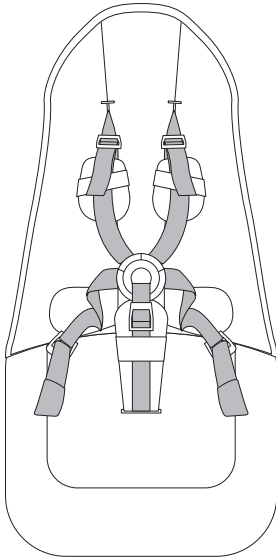
Wie nutze ich den Sitz - comment utiliser le hamac





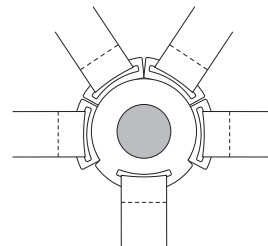
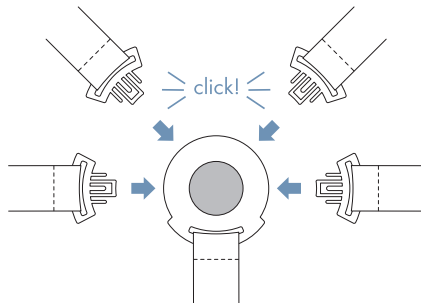
# How to use the restraint system

Wie nutze ich den Sicherheitsgurt - comment utiliser le système de sécurité



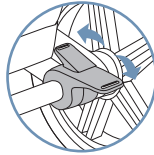
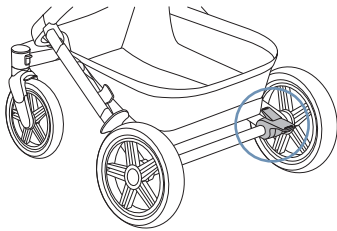
# How to use the buckle

Benutzung der Schnalle - comment utiliser la boucle d'attache



# How to use the brake

Nutzungshinweise Bremse - comment utiliser le frein



click!  
/ \  
/ \  
/ \  
click!

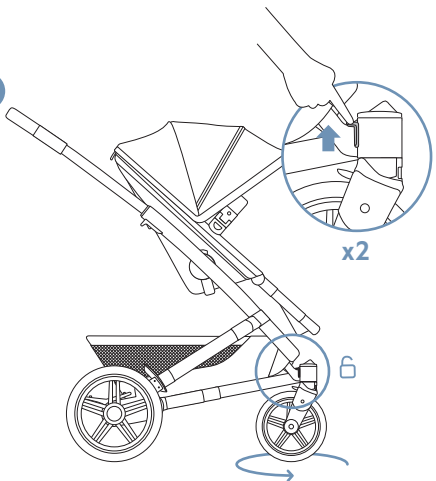
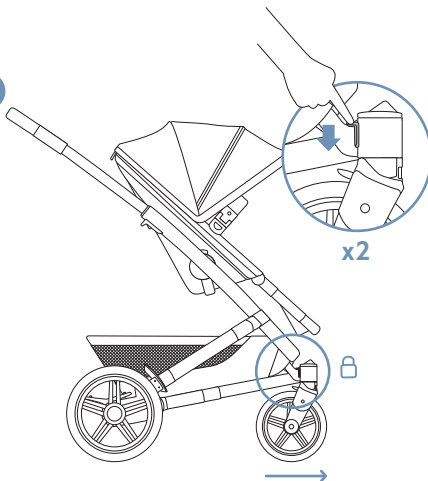
**WARNING:** always apply the swivel lock on the front wheels when folding the pushchair. Failing to do so can result in obstruction of the tyres, leading to deformation, especially in a hot environment.

**WARNING:** Stellen Sie die Schwenkräder immer fest, wenn Sie den Kinderwagen zusammenklappen. Wenn Sie dies versäumen, kann dies, vor allem in heißer Umgebung, zur Beschädigung und Verformung der Vorderräder führen.

**AVERTISSEMENT:** verrouillez toujours les roues avant pivotantes lorsque vous pliez la poussette. Le non-respect de cette consigne peut causer l'obstruction des pneus et entraîner leur déformation, surtout dans un environnement chaud.

# How to use the swivel lock

Nutzungshinweise Vorderrad Arretierung



# Compact storage

Kompakte Aufbewahrung - stockage compact

## How to fold with the cot

Zusammenklappen - comment plier la poussette

24

## How to fold with the seat

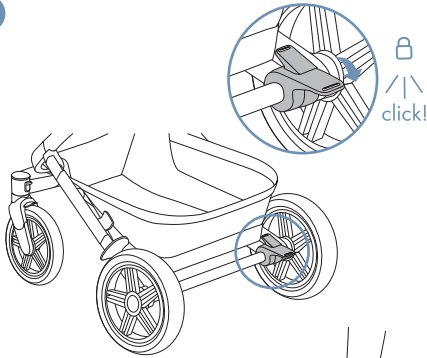
Zusammenklappen mit Sitz - comment plier la poussette

26

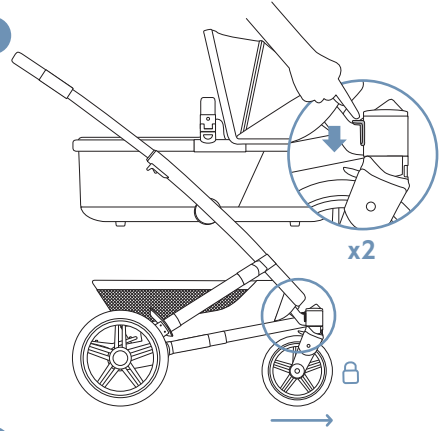
# How to fold with the cot

Zusammenklappen mit Wanne - comment plier la poussette

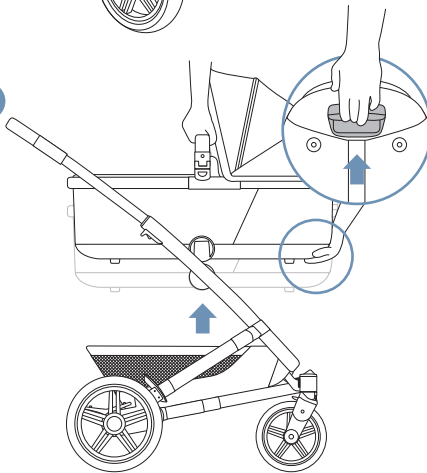
1



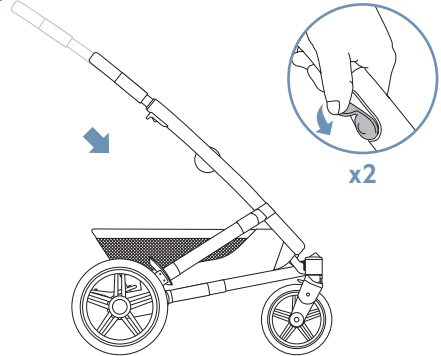
2



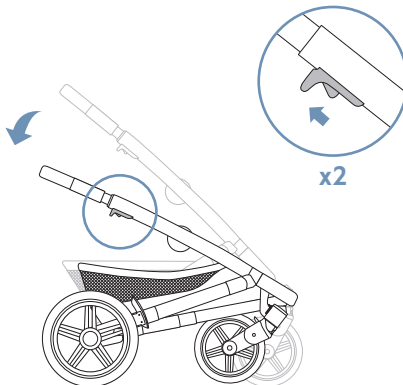
3



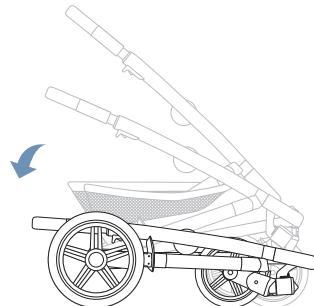
4



5

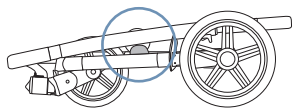
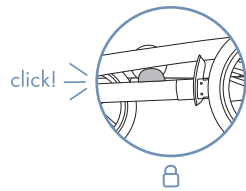


6





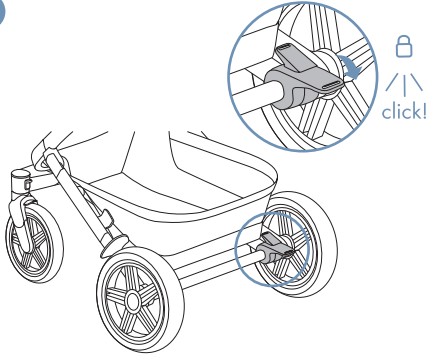
7



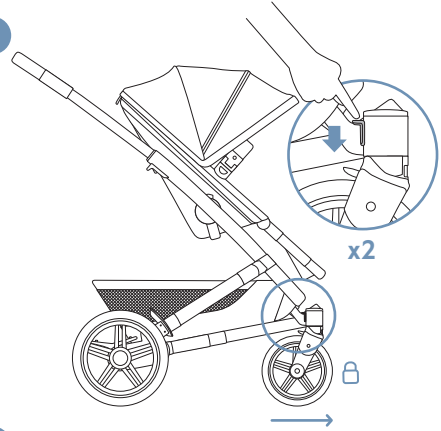
# How to fold with the seat

Zusammenklappen mit Sitz - comment plier la poussette

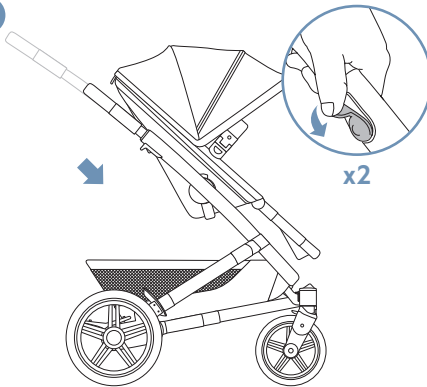
1



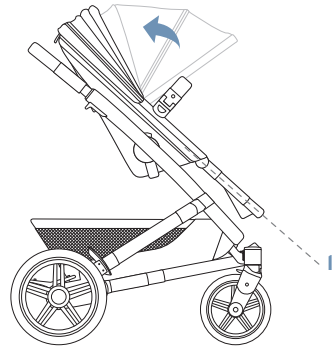
2



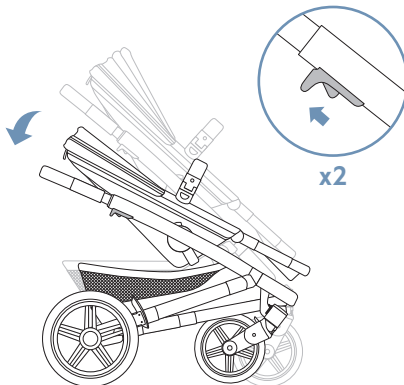
3



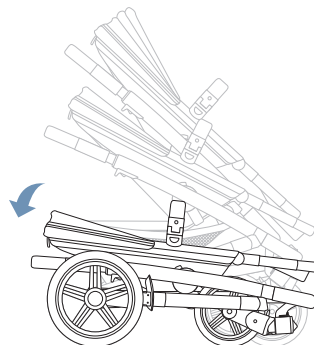
4



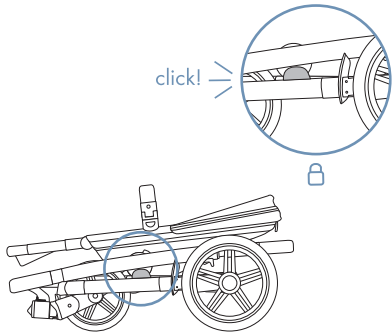
5



6



7



## **WARNING**

- + The seat unit is intended for children from 6 months until 4 years, or up to a maximum weight of 22 kg in upper position and 15 kg in lower position with a maximum height of 100 cm. Which ever comes first.
- + For USA the seat unit is tested for a maximum weight of 50 lbs for the seat in the upper position and 33 lbs for the seat in the lower position and maximum height of 40 inch.
- + The seat unit is not suitable for children under 6 months.
- + The carry cot is only suitable for a child who cannot sit up unaided, roll over and cannot push itself up on its hands and knees. Maximum weight of the child: 9 kg/20 lbs.
- + This product is not suitable for running or skating.
- + Never leave the child unattended.
- + To avoid injury, ensure that your child/children are kept away when adjusting, unfolding and folding this product.
- + Be aware of finger entrapment when folding or unfolding the pram/stroller. Due care should be exercised.
- + Avoid serious injury from falling or sliding out. Always use the restraint system.
- + Ensure that all locking devices are engaged before use.
- + Check that the Joolz Geo<sup>3</sup> carry cot, seat unit or car seat attachment devices are correctly engaged before use.
- + The Joolz Geo<sup>3</sup> carry cot and seat unit are only compatible with the Joolz Geo<sup>3</sup> chassis and vice versa.
- + Any load attached to the pushbar and/or on the back of the backrest and/or on the sides of the vehicle will affect the stability of the vehicle.
- + Parcels or accessory items, or both, placed on the unit may cause the unit to become unstable. Excessive weight may cause a hazardous unstable condition.
- + The carry cot or seat unit can each carry only one child at a time.
- + Only use car seats, replacement or spare parts and accessories that are supplied or approved by Joolz.
- + Do not use any pillow, comforter, or additional mattress for padding that are not supplied or approved by Joolz.
- + Car seats used in conjunction with a chassis do not replace a cot or a bed. Should your child need to sleep, then it should be placed in a suitable crib, bed or approved sleeping area based on your child's requirements
- + Check the pushchair chassis, carry cot, seat unit and accessories regularly for signs of damage, wear and tear.
- + Do not use the pushchair if any of the parts are damaged, torn or missing.
- + Always apply the swivel lock on the front wheels before folding the pushchair. Failing to do so can lead to deformation of the tires, especially in a hot environment.
- + The brakes should always be engaged when placing and removing the child(ren).

- + Make sure that the brake pedal is fully engaged when applying the brake.
- + The maximum capacity of the shopping basket is 15 kg/33 lbs.
- + Make sure that children do not climb into the pushchair.
- + Do not let a child/children play with this product.

## **WARNING**

### **FOR THE CARRY COT**

- + The Joolz Geo<sup>3</sup> carry cot is only suitable for a child who cannot sit up unaided, roll over and cannot push itself up on its hands and knees. Maximum weight of the child: 9 kg/20 lbs.
- + Never leave the child unattended.
- + This product is only suitable for a child who cannot sit up unaided.
- + Only use on a firm, horizontal level and dry surface.
- + Do not let other children play unattended near the carry cot.
- + Do not use if any part of the carry cot is damaged, broken, torn or missing.
- + Only use replacement or spare parts and accessories that are supplied or approved by Joolz.
- + Use only the mattress provided by Joolz. Don't put an additional mattress on the mattress provided by Joolz.
- + Keep the Joolz Geo<sup>3</sup> away from open fires and other sources of heat
- + The handles and the bottom of the carry cot should be inspected regularly for signs of damage and wear.
- + Always ensure that the bumper bar is correctly engaged to the carry cot unit before use.
- + The head of the child in the carry cot should never be lower than the body of the child.
- + Overheating can endanger the life of your child! Take into account the ambient temperature and the child's clothing and ensure that the child is not too cold or too warm.

### **SUFFOCATION HAZARD:**

Infant carrier can roll over on soft surfaces and suffocate child. **NEVER** place carrier on beds, sofas, or other soft surfaces.

### **FALL HAZARD:**

Child's movement can slide carrier. **NEVER** place carrier near edges of counter tops, tables, or other elevated surfaces. **NEVER** use this carrier as a means to transport an infant in a motor vehicle.

### **FOR USING THE PRODUCT AS A CRIB**

This product is intended for infants, from birth until 6 months, 9 kg, or until they are able to sit unaided or pull or push themselves up on their hands and knees. EN I130:2019 & EN I6890:2021

### **WARNING**

- + Do not use this product without reading the instructions for use first.
- + Stop using the product as soon as the child can sit or kneel or pull itself up.
- + Placing additional items in the product may cause suffocation.
- + Do not place the product close to another product, which could present a danger of suffocation or strangulation, e.g. strings, blind/curtain cords, etc.
- + Do not use more than one mattress in the product.
- + Only use the mattress sold with this crib, do not add a second mattress on this one, suffocation hazards.
- +

### **ADDITIONAL INFORMATION**

- + The product should be placed on a horizontal floor.
- + Children shall not be allowed to play unsupervised in the vicinity of the crib.
- + The crib should be locked in the fixed position when the child is left unattended.
- + Risk of strangulation: All assembly fittings should always be tightened properly and care should be taken that no screws are loose, because a child could trap parts of the body or clothing (e.g. strings, necklaces, ribbons for babies' dummies, etc.
- + Maximum mattress thickness: 30 mm.
- + DO NOT use crib if any parts are missing, damaged, or broken. Contact Joolz for replacement parts and instructional literature if needed. Do not substitute parts.
- + Be aware of the risk of open fire and other sources of strong heat, such as electric bar fires, gas fires, etc. in the near vicinity of the cot (crib and suspended bed).
- + Uneven surfaces can cause instability of the product.

### MAINTENANCE/WASHING INSTRUCTIONS

The fabrics are detachable and machine washable. Never use bleach or other chemical detergents. Periodically (approximately once a month) treat the wheels and metal parts with Teflon or silicon spray to ensure the pushchair continues to run smoothly.



The aluminium parts of your Geo<sup>3</sup> pushchair are anodized to protect it from external influences such as corrosion. Anodized aluminium parts are vulnerable to acidic cleaners or grease, which can cause stains and discoloration of the aluminium parts. We therefore advise you to clean the aluminium parts of your pushchair with warm water and a soft cloth.

Safety was an important consideration throughout the development of the Joolz Geo<sup>3</sup> pushchair and cot. Our products therefore meet the following safety standards:

- Europe: EN1888-2:2018 & EN 1466:2014/AC:2015
- United States: ASTM F833-2I, ASTM F2050-19
- Canada: SOR/2016-167
- Australia: AS/NZS 2088:2013

Please visit [joolz.com](http://joolz.com), [facebook.com/myjoolz](https://facebook.com/myjoolz) or contact your retailer for any questions and/or comments.

# AUSTRALIA

## **WARNING**

- + The seat unit is intended for children from 6 months until 4 years, or up to a maximum weight of 22 kg in upper position and 15 kg in lower position.
- + To avoid injury or death: always apply the brakes whenever the pram/stroller is stationary.
- + Do not leave children unattended
- + Secure the child in the harness at all times
- + Do not carry extra children or bags on this pram/stroller.
- + Make sure children are clear of any moving parts if you adjust the pram/stroller.
- + Seat usage is not recommended for a child under 6 months.
- + Use the tether strap to stop the pram/stroller from rolling away.
- + Do not use the seat with any other models of pram/stroller.
- + Never leave a harness buckled when not fitted to a child in the pram/stroller because the harness can form loops which may pose a strangulation hazard.
- + Be aware of finger entrapment when folding or unfolding the pram/stroller. Due care should be exercised.
- + Regularly inspect the pram/stroller, chassis and accessories regularly for signs of damage and tear.
- + Only use car seats, replacement or spare parts and accessories that are supplied or approved by Joolz. Using non-approved accessories is unsafe.
- + Care should be taken if the pram/stroller is used on stairs or escalators.
- + The pram/stroller should not be used near an open fire or exposed flame.
- + The maximum weight of the shopping basket is 15 kg.
- + The vehicle is designed for use on flat or gently sloping surfaces and may be unstable on higher sloping and uneven surfaces. When used on higher sloping and uneven surfaces resulting in the possibility of the vehicle tipping over.
- + Make sure storage latch is engaged when lifting or carrying the stroller.
- + To use the tether strap stick your hand through the loop and wrap the strap around your wrist.



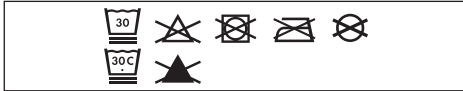
# **WARNING**

## **FOR THE BASSINET**

- + The Joolz Geo<sup>3</sup> bassinet is suitable for a child who cannot sit up by itself, roll over and cannot push itself up on its hands and knees. Maximum weight of the child: 9 kg.
- + This product is only suitable for a child who cannot sit up unaided.
- + Only use on a firm, horizontal level and dry surface.
- + Do not let other children play unattended near the bassinet.
- + Do not use if any part of the bassinet is broken, torn or missing.
- + Keep the Joolz Geo<sup>3</sup> away from open fires and other sources of heat.
- + The handles and the bottom of the bassinet should be inspected regularly for signs of damage and wear.
- + The head of the child in the bassinet should never be lower than the body of the child.
- + Don't put an additional mattress on the mattress provided by Joolz.
- + Only spare parts supplied or recommended by Joolz should be used.

## MAINTENANCE/WASHING INSTRUCTIONS

The fabrics are detachable and machine washable. Never use bleach or other chemical detergents. Periodically (approximately once a month) treat the wheels and metal parts with Teflon or silicon spray to ensure the pushchair continues to run smoothly.



The aluminium parts of your Geo<sup>3</sup> pushchair are anodized to protect it from external influences such as corrosion. Anodized aluminium parts are vulnerable to acidic cleaners or grease, which can cause stains and discoloration of the aluminium parts. We therefore advise you to clean the aluminium parts of your pushchair with warm water and a soft cloth.

## WARRANTY

Our goods come with guarantees that cannot be excluded under the Australian Consumer Law. You are entitled to a replacement or refund for a major failure and for compensation for any other reasonably foreseeable loss or damage. You are also entitled to have the goods repaired or replaced if the goods fail to be of acceptable quality and the failure does not amount to a major failure.

The warranty is only valid if you supply the following items to The Amazing Baby Company along with the defective product:

- 1) Your warranty certificate,
- 2) Any form of personal identification,
- 3) A copy of the receipt of purchase (including a purchase date),
- 4) A detailed description of the defect.

You will receive the warranty certificate after you have registered your Joolz pushchair on our website [joolz.com](http://joolz.com).

Please contact The Amazing Baby Company for any warranty claims. Please note, any repairs do not extend the warranty period.



## **WARNUNG**

- + Der Sitz ist für Kinder von 6 Monaten bis 4 Jahren geeignet, oder aber bis zu einem maximalen Gewicht von 22 kg in der oberen Position und 15 kg in der unteren Position und einer maximalen Höhe von 100 cm. Je nachdem, was zuerst eintritt.
- + Diese Sitzeinheit ist nicht für Kinder unter 6 Monaten geeignet.
- + Die Wanne ist nur für Kinder geeignet, die nicht ohne Hilfe aufrecht sitzen, sich herumdrehen oder sich mit den Händen und Knien hochdrücken können. Höchstgewicht des Kindes: 9 kg/20 Pfund.
- + Dieses Produkt ist nicht zum Joggen oder Skaten geeignet.
- + Lassen Sie das Kind niemals unbeaufsichtigt.
- + Halten Sie Ihr Kind/Kinder beim Einstellen, Auseinander- oder Zusammenklappen dieses Produktes fern, um Verletzungen zu vermeiden.
- + Achten Sie darauf, dass Ihre Finger beim Zusammen- oder Auseinanderklappen des Buggys nicht eingeklemmt werden. Seien Sie dabei vorsichtig.
- + Vermeiden Sie schwere Verletzungen durch Herausfallen oder -rutschen. Verwenden Sie immer das Rückhaltesystem.
- + Stellen Sie vor der Verwendung sicher, dass alle Verriegelungen eingerastet sind.
- + Vor der Verwendung das ordnungsgemäße Einrasten der Befestigung von Babyschale, Sitzeinheit oder Kindersitz prüfen.
- + Die Joolz Geo<sup>3</sup> -Wanne und -Sitzeinheit sind nur mit dem Joolz Geo<sup>3</sup>-Rahmen kompatibel und umgekehrt.
- + Jegliche Last am Schiebebügel und/ oder der Rückseite der Rückenlehne und/oder an den Seiten des Wagens beeinträchtigt seine Stabilität.
- + Der Transport von Paketen oder Accessoires – oder beidem – an der Einheit kann den Wagen instabil machen. Schwere Gegenstände können zu gefährlicher Instabilität führen.
- + Babyschale oder Sitzeinheit wurden für den Transport von nur einem Kind konzipiert.
- + Verwenden Sie ausschließlich Sitze, Autositze, Ersatzteile und Zubehör, die von Joolz bereitgestellt und werden.
- + Verwenden Sie kein(e) Kissen, Kuscheltuch oder zusätzliche Matratze als Polster, die nicht von Joolz bereitgestellt und werden.
- + Autositze, die in Kombination mit einem Gestell verwendet werden, können eine Wiege oder ein Bett nicht ersetzen. Wenn Ihr Kind schlafen muss, sollten Sie es entsprechend seinen Bedürfnissen in eine geeignete Wiege, ein geeignetes Bett oder einen zulässigen Schlafbereich legen.
- + Rahmen von Kinderwagen, Wanne, Sitzeinheit und Zubehör regelmäßig auf Schäden und Verschleiß prüfen.
- + Verwenden Sie den Kinderwagen nicht, wenn eines der Einzelteile beschädigt oder gerissen ist oder ganz fehlt.

- + Aktivieren Sie vor dem Zusammenklappen des Kinderwagens immer den Lenkstopp an den Vorderrädern, andernfalls können die Reifen verformt werden, insbesondere in warmen Umgebungen.
- + Wenn ein Kind hineingesetzt oder herausgenommen wird, sollten die Bremsen immer angezogen sein.
- + Achten Sie darauf, dass das Bremspedal vollkommen eingerastet ist, wenn Sie die Bremse betätigen.
- + Der Einkaufskorb hat eine maximale Tragkraft von 15 kg.
- + Achten Sie darauf, dass kein Kind in den Kinderwagen klettert.
- + Lassen Sie das Kind/die Kinder nicht mit diesem Produkt spielen.

## **WARNUNG**

### **FÜR DIE WANNE**

- + Die Joolz Geo<sup>3</sup>-Wanne ist nur für Kinder geeignet, die nicht ohne Hilfe aufrecht sitzen, sich herumdrehen oder sich mit den Händen und Knien hochdrücken können. Höchstgewicht des Kindes: 9 kg/20 Pfund.
- + Lassen Sie das Kind niemals unbeaufsichtigt.
- + Dieses Produkt ist nur für Kinder geeignet, die nicht ohne Hilfe aufrecht sitzen können.
- + Nur auf einer festen, waagerechten und trockenen Fläche verwenden.
- + Keine anderen Kinder unbeaufsichtigt in der Nähe der Wanne spielen lassen.
- + Nicht verwenden, wenn ein Teil der Wanne beschädigt oder gerissen ist oder ganz fehlt.
- + Ausschließlich Ersatzteile und Zubehör verwenden, die von Joolz bereitgestellt oder freigegeben wurden.
- + Nur die von Joolz bereitgestellte Matratze verwenden. Keine zusätzlichen Matratzen auf die von Joolz bereitgestellte Matratze legen.
- + Halten Sie den Joolz Geo<sup>3</sup> von offenem Feuer und anderen Wärmequellen fern.
- + Die Griffe und die Liegefläche der Wanne sollten regelmäßig auf Anzeichen von Beschädigung und Verschleiß untersucht werden.
- + Vor der Verwendung immer sicherstellen, dass der Sicherheitsbügel korrekt an der Wanne eingerastet ist.
- + Der Kopf des Kindes darf sich in der Wanne niemals niedriger als der Körper befinden.
- + Ein Überhitzen kann das Leben eines Kindes gefährden! Umgebungstemperatur und Kleidung des Kindes berücksichtigen und sicherstellen, dass das Kind nicht zu kalt oder zu warm ist.

## UM DAS PRODUKT ALS KINDERBETT ZU VERWENDEN.

Dieses Produkt dient für Neugeborene bis zu einem Alter von 6 Monaten bzw. einem Gewicht von 9 kg, oder bis sie ohne Hilfe sitzen oder sich selbst auf Hände und Knie stellen können. EN I130: 2019 & EN I6890: 2021

### WARNUNG!:

- + Dieses Produkt erst nach dem Lesen der Gebrauchsanweisung verwenden.
- + Das Produkt darf nicht mehr verwendet werden, wenn das Kind sitzen, knien oder sich selbst aufrichten kann.
- + Das Anordnen zusätzlicher Gegenstände im Produkt birgt Erstickungsgefahren.
- + Das Produkt nicht in der Nähe eines anderen Produktes aufstellen, das Erstickungs- oder Strangulierungsgefahren bergen kann, wie z. B. Schnüre, Kordeln von Jalousien oder Vorhängen usw.
- + Nicht mehr als eine Matratze in das Babybett (Wiege und Hängewiege) einlegen.
- + Nur die mit dieser Wiege mitgelieferte Matratze verwenden, keine zweite Matratze darauflegen, Erstickungsgefahr.

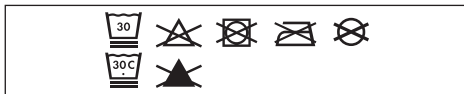
## ZUSÄTZLICHE INFORMATIONEN

- + Das Produkt muss auf ebenem Untergrund aufgestellt werden.
- + Kinder dürfen nicht unbeaufsichtigt in der Umgebung der Wiege spielen.
- + Die Wiege muss in der festgestellten Position verriegelt werden, wenn das Kind ohne Aufsicht gelassen wird.
- + Strangulationsgefahr: Alle Montageteile müssen grundsätzlich sicher befestigt sein,
- + und es ist darauf zu achten, dass keine Schrauben locker sind, da die Körperteile oder die Kleidung des Kindes (z. B. Schnüre, Halsketten, Schnullerbänder usw.) eingeklemmt werden können.
- + Maximale Matratzendicke: 30 mm.
- + Die Wiege NICHT VERWENDEN, wenn Teile fehlen oder beschädigt sind. Auf Anfrage erhalten Sie von Joolz Ersatzteile und Dokumente mit Arbeitsanweisungen. Teile dürfen nicht ersetzt werden.
- + Die Risiken offener Flammen und anderer starker Hitzequellen, z. B. Elektroamine, Gaskamine usw. in der näheren Umgebung des Babybetts (Wiege und Hängewiege) sind zu berücksichtigen.
- + Unebene Oberflächen können zu Instabilität des Produktes führen.

## WARTUNG/WASCHANLEITUNG

Den Stoff kann abgenommen und in der Maschine gewaschen werden. Spülen Sie ihn mit klarem Wasser aus und lassen Sie ihn trocknen.

Verwenden Sie niemals Bleiche oder chemische Reinigungsmittel. Behandeln Sie die Räder und Metallteile regelmäßig (etwa einmal im Monat) mit Teflon- oder Silikonspray, um sicherzustellen, dass der Kinderwagen weiterhin reibungslos funktioniert.



Die Aluminiumteile des Geo<sup>3</sup> Buggy sind beschichtet, um sie vor äußeren Einflüssen wie Korrosion zu schützen. Beschichtete Aluminiumteile reagieren empfindlich auf säurehaltige Reinigungsmittel oder Fett, die Flecken und Verfärbungen der Aluminiumteile verursachen können. Wir empfehlen deshalb, die Aluminiumteile des Kinderwagens mit warmem Wasser und einem weichen Tuch zu reinigen.

Sicherheit war ein wichtiger Aspekt beim gesamten Entwicklungsprozess des Joolz Geo<sup>3</sup>. Unsere Produkte erfüllen daher folgende Sicherheitsstandards:

Europe:  
ENI888-2:2018 & EN 1466:2014/AC:2015  
United States:  
ASTM F833-2I, ASTM F2050-19  
Canada: SOR/2016-167  
Australia: AS/NZS 2088:2013

Bei Fragen und/oder Anmerkungen können Sie unsere Webseite [joolz.de](http://joolz.de) oder [facebook.com/myjoolz](https://facebook.com/myjoolz) besuchen, oder sich an Ihren Händler wenden.

## WAARSCHUWING

- + De stoel is geschikt voor kinderen vanag 6 maanden tot 4 jaar, of tot een maximaal gewicht van 22 kg in de bovenste positie en 15 kg in de onderste positie met een maximale lente van 100 cm. Welke eerst komt.
- + Het stoeltje is niet geschikt voor kinderen jonger dan 6 maanden.
- + De reiswieg is uitsluitend geschikt voor kinderen die niet zelfstandig kunnen zitten, die zich niet kunnen omdraaien en die niet op handen en knieën kunnen gaan zitten. Maximaal gewicht van het kind: 9 kg.
- + Dit product is niet geschikt om mee te joggen of te rolschaatsen.
- + Laat het kind nooit achter zonder toezicht.
- + Voorkom letsel en houd kind(eren) uit de buurt tijdens het aanpassen en in- en uitklappen van dit product.
- + Let op dat vingers bekneld raken tijdens het in- of uitklappen van de wandelwagen/kinderwagen. Ga zorgvuldig te werk.
- + Voorkom ernstig letsel als gevolg van eruit te vallen of glijden. Gebruik altijd de gordels.
- + Zorg dat alle sluitingen voor gebruik zijn vastgemaakt.
- + Controleer voor gebruik of de wieg, het autostoeltje of de bevestigingsonderdelen op de juiste manier zijn bevestigd.
- + De wieg en het stoeltje van de Joolz Geo<sup>3</sup> reiswieg en het stoeltje passen alleen op het onderstel van de Joolz Geo<sup>3</sup> en omgekeerd.
- + Gewicht dat aan de duwbeugel wordt bevestigd en/of aan de achterkant van de rugleuning en/of aan de zijkanten van het voertuig kan het voertuig uit evenwicht brengen.
- + De wagen kan onstabiel worden als er pakketjes of accessoires, of beide, aan de wagen worden bevestigd. Extra gewicht kan mogelijk leiden tot gevaarlijke onstabiele omstandigheden
- + De reiswieg of het stoeltje is geschikt voor het vervoer van één kind per keer.
- + Gebruik uitsluitend door Joolz goedgekeurde autostoeltjes, vervangende onderdelen of reserveonderdelen en accessoires.
- + Gebruik voor opvulling geen kussens, dekens, of extra matrassen die niet door Joolz zijn geleverd of goedgekeurd.
- + Een autostoeltje dat gebruikt wordt met een onderstel is geen vervanging voor een wieg of bed. Leg kinderen die willen slapen in een geschikt ledikantje, bed of goedgekeurd slaapgedeelte dat is aangepast aan de behoeften van het kind.
- + Controleer het onderstel van de kinderwagen, de reiswieg, het stoeltje en de accessoires regelmatig op beschadigingen en slijtage.
- + Gebruik de kinderwagen niet als er onderdelen beschadigd, gescheurd of incompleet zijn.



- + Vergrendel altijd eerst de voorste zwenkwielen voordat de kinderwagen wordt ingeklapt. Als deze aanwijzing niet wordt opgevolgd, kunnen de banden vervormd raken. Met name in een warme omgeving.
- + De vergrendeling moet altijd worden gebruikt bij het plaatsen en verwijderen van kinderen.
- + Zorg dat het rempedaal bij gebruik van de rem volledig wordt ingedrukt.
- + Het maximale gewicht van de boodschappenmand is 15 kg.
- + Zorg dat kinderen niet in de kinderwagen kunnen klimmen.
- + Laat kinderen niet met dit product spelen.

## **WAARSCHUWING**

### **VOOR DE REISWIEG**

- + De Joolz Geo<sup>3</sup> reiswieg is uitsluitend geschikt voor kinderen die niet zelfstandig kunnen zitten, die zich niet kunnen omdraaien en die niet op handen en knieën kunnen gaan zitten. Maximaal gewicht van het kind: 9 kg.
- + Laat het kind nooit achter zonder toezicht.
- + Dit product is uitsluitend geschikt voor kinderen die niet zelfstandig kunnen blijven zitten.
- + Alleen gebruiken op een solide, egaal en droog oppervlak.
- + Laat andere kinderen niet zonder toezicht in de buurt van de reiswieg spelen.
- + Niet gebruiken als er onderdelen van de reiswieg beschadigd, defect, gescheurd of incompleet zijn.
- + Gebruik uitsluitend door Joolz goedgekeurde vervangende onderdelen of reserveonderdelen en accessoires.
- + Gebruik uitsluitend matrassen van Joolz. Plaats geen extra matras op het matras van Joolz.
- + Houd de Joolz Geo<sup>3</sup> uit de buurt van open vuur en andere hittebronnen.
- + Controleer de handgrepen en de onderkant van de reiswieg regelmatig op beschadigingen en slijtage.
- + Zorg dat de veiligheidsbeugel voor gebruik altijd correct is bevestigd aan de onderdelen van de reiswieg.
- + Het hoofd van het kind mag in de reiswieg nooit lager liggen dan het lichaam van het kind.
- + Oververhitting kan gevaarlijk zijn voor het leven van je kind! Houd rekening met de omgevingstemperatuur en de kleding van het kind en zorg dat het kind het niet te koud of te warm heeft.

## VOOR HET GEBRUIK VAN HET PRODUCT ALS WIEG

Dit product werd ontworpen voor kinderen, van de geboorte tot 6 maanden, 9 kg of tot ze alleen kunnen zitten, kunnen staan of op handen en voeten kunnen kruipen. EN I130: 2019 & EN I6890: 2021

## WAARSCHUWING

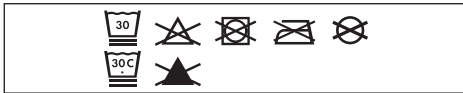
- + Gebruik het product niet wanneer u de gebruiksinstructies niet hebt gelezen.
- + Gebruik het product niet meer wanneer het kind kan zitten, omdraaien, knielen of op handen en voeten kan gaan zitten.
- + Andere voorwerpen in het product plaatsen, kan tot verstikkingsgevaar leiden.
- + Plaats het product niet in de buurt van een ander product dat tot verstikkingsgevaar of wurgingsgevaar zou kunnen leiden, zoals bijvoorbeeld touwtjes, koordjes van gordijnen en stores, vb.
- + Gebruik slechts één matras in het product (wieg en bed).
- + Gebruik enkel de matras die samen met het product wordt verkocht. Voeg geen tweede matras toe. Verstikkingsgevaar

## BIJKOMENDE INFORMATIE

- + Het product moet alleen op een horizontaal vlak worden geplaatst.
- + Kinderen mogen niet zonder toezicht spelen in de buurt van de wieg.
- + De wieg moet volledig opgezet zijn wanneer een kind zonder toezicht erin mag liggen.
- + Laat niets in het bedje achter en plaats het bedje niet in de buurt van andere voorwerpen, omdat deze kunnen worden gebruikt als opstapje, of een verstikkingsgevaar kunnen vormen, bijv: gordijnkoorden, kussens, dekens, knuffels, het matras of de voering
- + Maximale dikte van het matras is 30 mm.
- + Gebruik het product NIET wanneer er onderdelen beschadigd zijn of missen. Neem contact op met Joolz voor vervangende of reserve onderdelen en instructies indien nodig. Gebruik alleen door Joolz goedgekeurde onderdelen.
- + Houd rekening met risico's die ontstaan door de aanwezigheid van open haarden of andere warmtebronnen zoals elektrische radiatoren of radiatoren op gas in de buurt van het product (wieg en bed).
- + Oneffen oppervlakken kunnen instabiliteit van het product veroorzaken.

## AANWIJZINGEN VOOR ONDERHOUD/REINIGING

De stoffen onderdelen zijn afneembaar en te wassen in de wasmachine. Gebruik geen bleek of andere chemische reinigingsmiddelen. Behandel de wielen en de metalen onderdelen regelmatig (ongeveer een keer per maand) met Teflon of met siliconenspray, zodat de kinderwagen soepel blijft werken.



De aluminium onderdelen van de Geo<sup>3</sup> kinderwagen zijn gecoat en zodoende beschermd tegen externe invloeden zoals corrosie. Gecoate aluminium onderdelen zijn slecht bestand tegen zure schoonmaakmiddelen of vet, waardoor vlekken en verkleuringen kunnen ontstaan. Wij raden dan ook aan om de aluminium onderdelen van de kinderwagen te reinigen met warm water en een zachte doek.

Tijdens het ontwikkelen van de Joolz Geo<sup>3</sup> is veel aandacht besteed aan veiligheid. Onze producten voldoen derhalve aan de volgende veiligheidsstandaarden:

Europe:  
EN1888-2:2018 & EN 1466:2014/AC:2015  
United States:  
ASTM F833-2I, ASTM F2050-19  
Canada: SOR/2016-167  
Australia: AS/NZS 2088:2013

Vragen of opmerkingen? Ga naar [joolz.com](http://joolz.com), [facebook.com/myjoolz](https://facebook.com/myjoolz) of neem contact op met je winkelier.

## **AVERTISSEMENT**

- + Le siège est destiné aux enfants de 6 mois à 4 ans, OU jusqu'à un poids maximum de 22 kg en position haute et 15kg en position allongée et une taille maximum de 100 cm. La situation qui arrive en premier.
- + Ce siège ne convient pas aux enfants de moins de 6 mois.
- + La nacelle ne convient qu'aux enfants qui ne peuvent pas encore s'asseoir seuls, se tourner, ou se lever sur les mains et les genoux. Poids maximum de l'enfant: 9 kg.
- + Ce produit ne convient pas pour faire du jogging ou des promenades en rollers.
- + Ne laissez jamais votre enfant sans surveillance.
- + Afin d'éviter toute blessure, assurez-vous de maintenir votre enfant/vos enfants à l'écart lorsque vous réglez, pliez et dépliez ce produit.
- + Attention de ne pas vous coincer les doigts lorsque vous pliez ou dépliez la poussette. Manipulez toujours ce produit avec les précautions qui s'imposent.
- + Évitez les blessures graves que peuvent entraîner les chutes ou les glissades. Utilisez toujours le système d'attache.
- + Vérifiez que tous les dispositifs de verrouillage sont correctement enclenchés avant l'utilisation.
- + Vérifiez que les dispositifs de fixation de la nacelle, du hamac ou du siège auto sont correctement enclenchés avant l'utilisation
- + La nacelle et le hamac de la Joolz Geo<sup>3</sup> ne sont compatibles qu'avec le châssis Joolz Geo<sup>3</sup>, et inversement.
- + Toute charge fixée au guidon et/ou à l'arrière du dossier et/ou sur les côtés du produit affectera sa stabilité.
- + Les paquets et/ou les accessoires placés sur le produit sont susceptibles d'affecter sa stabilité. Un poids excessif peut entraîner des conditions instables et dangereuses.
- + La nacelle et le hamac ne peuvent respectivement transporter qu'un seul enfant à la fois
- + N'utilisez que des sièges auto, des pièces de rechange et des accessoires fournis ou approuvés par Joolz.
- + N'utilisez pas de coussin, de couverture ou de matelas supplémentaire non fournis ou approuvés par Joolz.
- + Les sièges auto utilisés en conjonction avec un châssis ne constituent pas un berceau ou un lit adéquat. Si votre enfant a besoin de dormir, il doit être installé dans un berceau, un lit ou autre endroit approprié à cet usage et aux besoins de votre enfant.
- + Vérifiez régulièrement le châssis, la nacelle, le hamac et les accessoires de la poussette afin de détecter d'éventuels signes de détérioration ou d'usure.
- + N'utilisez pas la poussette si l'une des pièces est endommagée, usée ou manquante
- + Verrouillez toujours les roues pivotantes à l'avant lorsque vous pliez la poussette. Le non-respect de cette consigne peut entraîner la déformation des pneus, surtout dans un environnement chaud.

- + Les freins devraient toujours être engagés lorsque vous installez votre enfant dans la poussette ou l'en sortez.
- + Veillez à enfoncer complètement la pédale de frein lorsque vous actionnez le frein
- + Le poids maximum du panier est de 15 kg.
- + Ne laissez jamais votre enfant grimper tout seul dans la poussette.
- + Ne laissez pas votre enfant/vos enfants jouer avec ce produit.

## **AVERTISSEMENT** **POUR LA NACELLE**

- + La nacelle de la Joolz Geo<sup>3</sup> ne convient qu'aux enfants qui ne peuvent pas encore s'asseoir seuls, se tourner, ou se lever sur les mains et les genoux. Poids maximum de l'enfant: 9 kg.
- + Ne laissez jamais votre enfant sans surveillance.
- + Ce produit ne convient qu'à un enfant qui ne peut pas encore s'asseoir seuls.
- + N'utilisez que sur une surface horizontale ferme, plane et sèche.
- + Ne laissez pas d'autres enfants jouer à proximité de la nacelle sans surveillance.
- + N'utilisez pas la nacelle si l'une de ses pièces est endommagée, cassée, usée ou manquante.
- + N'utilisez que des pièces de rechange et des accessoires fournis ou approuvés par Joolz.
- + N'utilisez que le matelas fourni par Joolz. Ne placez pas de matelas supplémentaire sur le matelas fourni par Joolz.
- + Tenir la Joolz Geo<sup>3</sup> à l'écart du feu et de toute autre source de chaleur.
- + Les poignées et le fond de la nacelle devraient être régulièrement examinés pour détecter tout dommage ou signe d'usure.
- + Vérifiez toujours que l'arceau de sécurité est correctement fixé à la nacelle avant toute utilisation.
- + Lorsque vous placez votre enfant dans la nacelle, veillez toujours à ce que sa tête soit positionnée plus haut que son corps.
- + Une chaleur excessive peut mettre en danger la vie de votre enfant ! Prenez toujours en compte la température ambiante et les vêtements que portent votre enfant, et veillez à ce qu'il n'est ni trop chaud, ni trop froid.

**RISQUE D'ASPHYXIE:** La nacelle peut basculer sur des surfaces souples et asphyxier l'enfant. Ne placez **JAMAIS** la nacelle sur des lits, canapés ou autres surfaces souples.

**RISQUE DE CHUTE:** Les mouvements de l'enfant peuvent faire bouger la nacelle. Ne placez **JAMAIS** la nacelle au bord d'un plan de travail, sur une table ou autres surfaces élevées. N'utilisez **JAMAIS** cette nacelle pour transporter un enfant à bord d'une voiture.

### **POUR UTILISER LE PRODUIT COMME BERCEAU**

Ce produit a été conçu pour des enfants, de la naissance jusqu'à 6 Mois, 9 kg ou jusqu'à ce qu'ils se tiennent assis seuls, se lèvent ou se mettent à 4 pattes. EN I130: 2019 & EN I6890: 2021

### **AVERTISSEMENT**

- + Ne pas utiliser ce produit avant d'avoir lu les instructions d'utilisation.
- + Ne plus utiliser le produit dès lors que l'enfant peut s'asseoir, s'agenouiller ou se lever seul.
- + Le fait de placer d'autres articles dans le produit peut provoquer des risques de suffocation.
- + Ne pas placer le produit près d'un autre produit qui pourrait présenter un risque de suffocation ou de strangulation, par exemple ficelles, cordons de store/de rideau, etc.
- + Ne pas utiliser plus d'un matelas dans le produit.
- + Utiliser uniquement le matelas vendu avec ce berceau. Ne pas ajouter un second matelas sur celui-ci. Risques de suffocation.

### **INFORMATIONS COMPLEMENTAIRES**

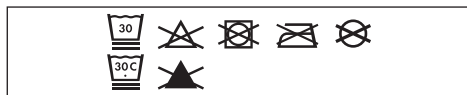
- + Le produit doit être placé sur un sol horizontal.
- + Les jeunes enfants ne sont pas autorisés à jouer sans surveillance à proximité du berceau.
- + Le berceau doit être en position fixe lorsque l'enfant est laissé sans surveillance.
- + Risque de strangulation: tous les dispositifs d'assemblage doivent toujours être convenablement serrés et il convient de veiller à ce qu'aucune vis ne soit desserrée, car l'enfant pourrait y accrocher certaines parties de son corps ou ses vêtements (par exemple cordons, colliers, attaches sucettes, etc.).
- + Epaisseur de matelas maximum: 30 mm.
- + **NE PAS** utiliser le berceau si une pièce quelconque est cassée, endommagée ou manquante. Contacter Joolz pour obtenir des pièces de rechange et une documentation avec des instructions si nécessaire. **NE PAS** remplacer les pièces.
- + Tenir compte des risques engendrés par la présence de foyers ouverts ou autres sources de forte chaleur comme les radiateurs électriques, ou à gaz, etc. à proximité du produit.
- + Des surfaces inégales peuvent provoquer une instabilité du produit.

## CONSIGNES D'ENTRETIEN/DE NETTOYAGE

Les tissus sont amovibles et lavables en machine. Rincez

à l'eau froide et laissez sécher.

N'utilisez jamais d'eau de javel ni d'autres détergents chimiques. Traitez régulièrement (environ une fois par mois) les roues et pièces métalliques avec un spray de Téflon ou de silicone pour que la poussette continue à rouler correctement.



Les pièces en aluminium de votre poussette Joolz Geo<sup>3</sup> sont vernies pour les protéger des éléments externes, tels que la corrosion. Les pièces en aluminium verni sont sensibles aux nettoyants acides ou aux graisses, qui peuvent provoquer des taches et une décoloration des pièces en aluminium. Nous vous conseillons donc de nettoyer les pièces en aluminium de votre poussette à l'eau chaude et avec un chiffon doux.

Nous avons donné priorité à la sécurité tout au long du développement de la poussette Joolz Geo<sup>3</sup>. Nos produits sont conformes aux normes de sécurité suivantes:

Europe:  
ENI888-2:2018 & EN 1466:2014/AC:2015  
United States:  
ASTM F833-2I, ASTM F2050-19  
Canada: SOR/2016-167  
Australia: AS/NZS 2088:2013

Veillez consulter [joolz.com](http://joolz.com), [facebook.com/myjoolz](https://www.facebook.com/myjoolz) ou contacter votre revendeur pour toute question et/ou commentaire.

## **ADVERTENCIA**

- + La unidad de asiento está diseñada para niños de 6 meses a 4 años. O hasta un peso máximo de 22 kg en posición superior y 15 kg en posición inferior con una altura máxima de 100 cm. Lo que ocurra primero.
- + La sillita no está diseñada para niños menores de 6 meses.
- + El capazo solo es adecuado para niños que no pueden sentarse sin ayuda, girar ni levantarse con la ayuda de las manos y las rodillas. Peso máximo del niño: 9 kg/20 lb.
- + Este producto no es adecuado para correr o patinar.
- + Nunca deje a su niño solo sin supervisión.
- + Para evitar que se produzcan lesiones, asegúrate de que los niños están alejados al ajustar, desplegar y plegar este producto.
- + Ten cuidado de no pillarte los dedos al plegar o desplegar el carrito/cochecito. Ten mucho cuidado.
- + Evita que se produzcan lesiones graves por caídas o deslizamientos. Utiliza siempre el sistema de retención.
- + Comprueba que todos los dispositivos de bloqueo están activados antes del uso.
- + Comprueba que los dispositivos de conexión del capazo, sillita o silla de auto están bien colocados antes de usarlos
- + El capazo Joolz Geo<sup>3</sup> y la sillita solo son compatibles con el chasis Joolz Geo<sup>3</sup> y viceversa.
- + Todas las cargas colocadas en el manillar y/o en la parte trasera del respaldo y/o en los lados del vehículo afectan a su estabilidad.
- + Los paquetes, accesorios, o ambos colocados en la sillita pueden afectar a su estabilidad. Un peso excesivo puede causar una inestabilidad peligrosa.
- + El capazo o la sillita solo pueden ser usados por un niño a la vez
- + Utiliza únicamente sillitas de coche, piezas de repuesto y accesorios suministrados o aprobados por Joolz.
- + No utilices como acolchado ninguna almohada, edredón o colchón adicional no suministrados o aprobados por Joolz.
- + Los asientos de coche usados en combinación con un chasis no sustituyen a un capazo o a una cama. Si el niño necesita dormir, debe ponerse en una cuna, cama o lugar para dormir adecuados, según sus necesidades.
- + Revisa el chasis de carrito, el capazo, la sillita y los accesorios regularmente para detectar signos de daños y desgaste.
- + No utilices el carrito si falta alguna pieza o si hay partes dañadas o rotas.
- + Bloquea siempre las ruedas giratorias delanteras antes de plegar el carrito. De lo contrario, puede producirse deformación en los neumáticos, especialmente en entornos calurosos.
- + Pon siempre el freno al meter o sacar el niño del carrito.
- + Asegúrese de que el pedal de freno esté totalmente engranado al aplicar el freno.
- + El peso máximo para la cesta de la compra es de 15 kg/33 lb.



- + No permitas que el niño se suba encima del carrito.
- + No permitas que los niños jueguen con este producto.

## **ADVERTENCIA**

### **PARA EL CAPAZO**

- + El capazo Joolz Geo<sup>3</sup> solo es adecuado para niños que no pueden sentarse sin ayuda, girar ni levantarse con la ayuda de las manos y las rodillas. Peso máximo del niño: 9 kg/20 lb.
- + Nunca deje a su niño solo sin supervisión.
- + Este producto solo es adecuado para niños que no pueden sentarse sin ayuda.
- + Utilízalo solo sobre una superficie firme, horizontal y seca.
- + No permitas que otros niños jueguen sin supervisión cerca del capazo.
- + No lo utilices si falta alguna pieza del capazo o si observas alguna rota o agrietada.
- + Utiliza únicamente piezas de recambio y accesorios suministrados o aprobados por Joolz.
- + Utiliza únicamente el colchón proporcionado por Joolz. No coloques un colchón adicional sobre el colchón proporcionado por Joolz.
- + Mantén el Joolz Geo<sup>3</sup> alejado de llamas abiertas u otras fuentes de calor.
- + Las asas y la parte inferior del capazo deben inspeccionarse periódicamente para detectar signos de daños y desgaste.
- + Comprueba que la barra de seguridad está colocada correctamente en el capazo antes de usarlo.
- + La cabeza del niño colocado en el capazo no debe ir en una posición más baja que el resto del cuerpo.
- + El sobrecalentamiento puede poner en peligro la vida de tu hijo. Ten en cuenta la temperatura ambiente y la ropa del niño, y asegúrate de que no tenga demasiado frío o calor.

**PELIGRO DE ASFIXIA:** La sillita de bebé puede volcar en superficies blandas y asfixiar al niño. **NUNCA** coloques la sillita encima de camas, sofás u otras superficies blandas.

**PELIGRO DE CAÍDA:** La actividad del niño puede mover la sillita. **NUNCA** coloques la sillita encima de bordes de mostradores, mesas u otras superficies elevadas **NUNCA** utilices esta sillita como medio de transporte para niños en un vehículo de motor.

### **POR UTILIZAR EL PRODUCTO COMO CUNA**

Este producto se ha concebido para bebés de 0 a 6 meses, hasta 9 kg o hasta que sean capaces de sentarse solos, levantarse o ponerse a gatas. EN I130: 2019 & EN I6890: 2021

### **ADVERTENCIA**

- + No utilices este producto hasta haber leído detenidamente las instrucciones de uso.
- + Deja de utilizar este producto cuando el niño pueda sentarse, arrodillarse o levantarse solo. Entonces es conveniente utilizar la posición más baja.
- + Si colocas otros elementos en el producto estos podrían provocar riesgos de asfixia.
- + No sitúes el producto cerca de otros elementos que puedan provocar riesgo de asfixia o de estrangulamiento, como hilos, cordones de cortinas/persianas, etc.
- + No utilices más de un colchón en el producto, cuna (cuna y cama).
- + Utiliza únicamente el colchón que se vende junto con la cuna, no añadas un colchón adicional, podría provocar un riesgo de asfixia.

### **INFORMACIÓN ADICIONAL**

- + El producto debe situarse sobre una superficie horizontal.
- + No dejes que los niños jueguen junto a la cuna sin vigilancia.
- + La cuna debe estar fijada en su posición cuando el niño no esté vigilado.
- + Riesgo de estrangulamiento: todos los dispositivos de ensamblaje deberán estar siempre correctamente ajustados y se deberá prestar atención a que los tornillos no estén flojos, ya que el bebé, o algunas prendas que lleve (como tirantes, collares, lazos para sujetar el chupete, etc.), podrían quedar atrapados.
- + Grosor máximo del colchón: 30 mm.
- + NO utilices la cuna si le falta alguna pieza, o si esta está dañada o rota. Ponte en contacto con Joolz para solicitar piezas de repuesto o manuales de instrucciones si es preciso. NO sustituyas las piezas por otras.
- + Ten en cuenta los riesgos que puede producir una chimenea u otra fuente de calor importante, como radiadores o estufas de gas cerca de la cuna (cuna y cama).
- + Las superficies irregulares pueden provocar inestabilidad del producto.

## INSTRUCCIONES DE LAVADO/ MANTENIMIENTO

Las telas se puede quitar y lavar en la lavadora. Aclara el tejido con agua limpia y deja secar al aire. No utilices lejía ni otros detergentes abrasivos. Trata las ruedas y las otras piezas metálicas periódicamente (una vez al mes aprox.) con spray de silicona o teflón para garantizar un funcionamiento correcto del carrito.



Las piezas de aluminio de tu carrito Geo<sup>3</sup> están revestidas para protegerlas de influencias externas, tales como la corrosión. Las piezas con revestimiento de aluminio son vulnerables a la grasa y los detergentes acídicos, lo que puede provocar manchas y decoloración de esas piezas. Por lo tanto, te recomendamos limpiar las piezas de aluminio del carrito con agua templada y un paño suave.

La seguridad ha sido un elemento clave durante el desarrollo del carrito Joolz Geo<sup>3</sup>. Por lo tanto, nuestros productos cumplen con las siguientes normas de seguridad:

Europe:  
ENI888-2:2018 & EN 1466:2014/AC:2015  
United States:  
ASTM F833-2I, ASTM F2050-19  
Canada: SOR/2016-167  
Australia: AS/NZS 2088:2013

Visita [joolz.com](http://joolz.com), [facebook.com/myjoolz](https://facebook.com/myjoolz) o ponte en contacto con tu distribuidor si tienes alguna duda o comentario.

# PORTUGUÊS

## AVISO

- + Esta cadeira destina-se a crianças dos 6 meses aos 4 anos, OU até um peso máximo de 22 kg na posição superior e 15 kg na posição inferior com uma altura máxima de 100 cm. Aplica-se a situação que ocorrer primeiro.
- + Esta cadeira não é adequada para bebés com menos de 6 meses.
- + A alcofa de transporte só é adequada para crianças que não se consigam sentar sozinhas, rodar sobre si próprias ou colocar-se de gatas. Peso máximo do bebé: 9 kg/20 lbs.
- + Este produto não é adequado para ser utilizado enquanto corre ou anda de patins.
- + Nunca deixe o bebé sem supervisão.
- + Para evitar ferimentos, certifique-se de que o(s) bebé(s) se mantém(êm) afastado(s) quando desdobrar e dobrar este produto.
- + Tenha cuidado para não entalar os dedos ao dobrar ou desdobrar o carrinho de passeio. Deverá tomar as devidas precauções.
- + Evite ferimentos graves devido a queda ou deslizamento. Utilize sempre o sistema de imobilização.
- + Certifique-se de que todos os dispositivos de bloqueio estão engatados antes da utilização.
- + Verifique se os dispositivos de fixação da alcofa de transporte, da cadeira ou cadeiras auto estão corretamente engatados antes da utilização.
- + As alcofas e as cadeiras Joolz Geo<sup>3</sup> são compatíveis apenas com o chassis Joolz Geo<sup>3</sup> e vice-versa.
- + Qualquer carga presa aos punhos e/ ou à parte de trás do encosto e/ ou nas laterais do veículo afetará a estabilidade do mesmo.
- + Os objetos ou acessórios, ou ambos, se colocados na cadeira, podem torná-la instável. O excesso de peso pode provocar uma condição de instabilidade perigosa.
- + A alcofa ou cadeira só podem transportar uma criança de cada vez.
- + Utilize apenas cadeiras, peças de substituição e acessórios aprovados pela Joolz.
- + Não use nenhum travesseiro, cobertor, ou colchão adicional para preenchimento que não sejam fornecidos ou aprovados pela Joolz.
- + As cadeiras auto usadas em conjunto com um chassis não substituem um berço ou uma cama. Se o seu filho precisar de dormir, deve ser colocado num berço ou numa cama adequados ou numa área de dormir aprovada com base nas necessidades do seu filho.
- + Verifique o chassis do carrinho, a alcofa, a cadeira e os acessórios regularmente para detetar sinais de danos e desgaste.
- + Não utilize o carrinho se alguma das peças estiver danificada, rasgada ou em falta.
- + Aplique sempre o bloqueio das rodas giratórias dianteiras quando dobrar o carrinho. Se não o fizer, poderá deformar os pneus, especialmente num ambiente quente.

- + Os travões devem estar sempre engatados quando colocar e retirar o bebé.
- + Ao travar, certifique-se de que o pedal do travão é acionado completamente.
- + O peso máximo do cesto de compras é de 15 kg/33 lbs.
- + Certifique-se de que os bebés não sobem para o carrinho de bebé.
- + Não deixe a(s) criança(s) brincar com este produto.

## **AVISO**

### **PARA A ALCOFA DE TRANSPORTE**

- + A alcofa de transporte Joolz Geo<sup>3</sup> só é adequada para crianças que não se consigam sentar sozinhas, rodar sobre si próprias ou colocar-se de gatas. Peso máximo do bebé: 9 kg/20 lbs.
- + Nunca deixe o bebé sem supervisão.
- + Este produto só é adequado para um bebé que não consiga sentar-se sem ajuda.
- + Utilize apenas numa superfície horizontal firme, nivelada e seca.
- + Não deixe que outras crianças brinquem sem supervisão perto da alcofa de transporte.
- + Não utilize se alguma peça da alcofa de transporte estiver danificada, partida, torcida ou em falta.
- + Utilize apenas peças de substituição ou suplentes e acessórios fornecidos ou aprovados pela Joolz.
- + Use apenas o colchão fornecido pela Joolz. Não coloque colchões adicionais no colchão fornecido pela Joolz.
- + Mantenha o Joolz Geo<sup>3</sup> afastado de chamas abertas e de outras fontes de calor.
- + As pegas e a parte inferior da alcofa de transporte devem ser inspecionadas regularmente quanto a sinais de danos e desgaste.
- + Certifique-se sempre de que a barra antichoque está corretamente engatada na alcofa/cadeira antes da utilização.
- + Na alcofa de transporte, a cabeça do bebé nunca deverá estar abaixo do nível do corpo.
- + O sobreaquecimento pode colocar em perigo a vida do seu filho! Tenha em atenção a temperatura ambiente e a roupa do seu filho para garantir que não tenha nem frio nem calor.

## PARA UTILIZAR O PRODUTO COMO BERÇO

Este produto destina-se a bebés, desde recém-nascidos até aos 6 meses, 9 kg, ou até conseguirem sentarem-se sem ajuda ou erguerem-se ou empurrarem-se para cima com as mãos e joelhos. EN 1130: 2019 & EN 16890: 2021

### AVISO

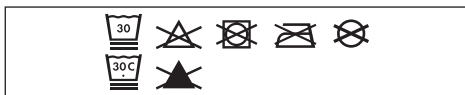
- + Não utilize este produto sem ler primeiro as instruções de utilização.
- + Interrompa a utilização do produto assim que a criança se consiga sentar ou pôr-se de joelhos ou levantar-se. Nesse caso, deve utilizar a posição mais baixa.
- + Colocar artigos adicionais no produto pode causar sufocação.
- + Não coloque o produto próximo de outro produto que possa apresentar um risco de sufocação ou de estrangulamento, por ex., cordões, fios de cortinas/estores, etc.
- + Não use mais do que um colchão no produto, cama (berço e cama suspensa).
- + Utilize apenas o colchão vendido com este berço, não adicione um segundo colchão sobre o mesmo, riscos de sufocação.

## INFORMAÇÕES ADICIONAIS

- + O produto deve ser colocado em piso horizontal.
- + As crianças não devem brincar sem supervisão nas proximidades do berço.
- + O berço deve ser travado no lugar fixo quando a criança fica sem vigilância.
- + Risco de estrangulamento: Todos os dispositivos montagem precisa ser ajustada corretamente e você precisa ter certeza de que nenhum parafuso está solto, porque o bebê pode ficar preso com peças do corpo ou da roupa (por exemplo, cordas, colares, correntes para chupetas, etc.).
- + Altura máxima do colchão: 30 mm.
- + NÃO use o berço em caso de peças ausente, danificado ou quebrado. Contactar Joolz para peças de reposição e manuais de instruções, se necessário. Não substitua as peças.
- + Leve em consideração o risco de incêndios abertos e outras fontes de calor forte, como radiadores elétrica, gás, etc. nas imediações do berço (berço e berço suspenso)
- + Superfícies irregulares podem causar instabilidade do produto.

## MANUTENÇÃO/INSTRUÇÕES DE LAVAGEM

Os tecidos são removíveis e laváveis à máquina. Passe por água limpa e deixe secar. Nunca utilize lixívia ou outros detergentes químicos. Periodicamente (aproximadamente uma vez por mês), aplique um spray de Teflon ou à base de silicone nas rodas e peças de metal para garantir que o carrinho continua a mover-se com facilidade.



As peças de alumínio do carrinho Geo<sup>3</sup> são anodizadas para o proteger de influências externas tais como a corrosão. As peças de alumínio anodizado são vulneráveis a produtos de limpeza ácidos ou lubrificantes, que podem causar manchas e descoloração nas peças de alumínio. Recomendamos que limpe as peças de alumínio do carrinho com água morna e um pano macio.”

A segurança foi uma consideração importante ao longo do desenvolvimento do Joolz Geo<sup>3</sup>. Como tal, os nossos produtos cumprem as seguintes normas de segurança:

Europe:  
ENI888-2:2018 & EN 1466:2014/AC:2015  
United States:  
ASTM F833-2I, ASTM F2050-19  
Canada: SOR/2016-167  
Australia: AS/NZS 2088:2013

Consulte [joolz.com](http://joolz.com), [facebook.com/myjoolz](https://facebook.com/myjoolz) ou contacte o eu revendedor se tiver dúvidas e/ou comentários.

## **AVVERTENZA**

- + L'unità di seduta è destinata a bambini da 6 mesi a 4 anni, o fino a un peso massimo di 22 kg in posizione superiore e 15 kg in posizione inferiore con un'altezza non superiore a 100 cm. Quello che viene prima.
- + La seduta non è adatta a bambini di età inferiore ai 6 mesi.
- + La navicella è adatta solo per bambini che non siano in grado di sedersi, girarsi o sollevarsi da soli su mani e ginocchia. Peso massimo del bambino: 9 kg.
- + Questo prodotto non è idoneo per correre o pattinare.
- + Non lasciare mai il bambino incustodito.
- + Per evitare lesioni, assicurarsi di tenere a distanza i bambini mentre si regola, apre e chiude questo prodotto.
- + La chiusura o l'apertura del passeggino può causare lo schiacciamento delle dita: prestare attenzione.
- + Evitare lesioni gravi impedendo che cada o scivoli fuori. Utilizzare sempre il sistema di ritenuta.
- + Accertarsi che tutti i dispositivi di bloccaggio siano inseriti prima dell'uso.
- + Prima dell'uso, verificare che i dispositivi di fissaggio per navicelle, seggiolini o seggiolini auto siano correttamente inseriti.
- + La navicella Joolz Geo<sup>3</sup> e il seggiolino sono compatibili solo con il telaio Joolz Geo<sup>3</sup> e viceversa.
- + Qualsiasi carico fissato al maniglione e/o al retro dello schienale e/o ai lati dell'unità influenzerà la stabilità del passeggino.
- + Pacchi, accessori o entrambi posizionati sull'unità potrebbero renderla instabile. Un peso eccessivo può causare una pericolosa condizione di instabilità.
- + Ciascuna navicella o seggiolino può trasportare un solo bambino alla volta
- + Utilizzare esclusivamente seggiolini per auto, parti di ricambio e accessori approvati da Joolz.
- + Non utilizzare cuscini, coperte o materassini aggiuntivi per imbottitura che non siano forniti o approvati da Joolz.
- + Seggiolini per auto utilizzati unitamente a un telaio non sostituiscono una culla o un lettino. Se il bambino ha bisogno di dormire, utilizzare una culla, lettino o area idonea in base alle necessità del bambino.
- + Verificare regolarmente il telaio del passeggino, la navicella, il seggiolino e gli accessori per verificare che non siano presenti segni di danni e usura.
- + Non usare il passeggino se vi sono parti danneggiate, lacerate o mancanti.
- + Utilizzare sempre il blocco di rotazione sulle ruote anteriori quando si chiude il passeggino. In caso contrario si rischia di deformare gli pneumatici, soprattutto in ambienti caldi.



- + Bloccare sempre i freni quando si fanno accomodare o rimuovono i bambini.
- + Prima di frenare, accertarsi che il pedale del freno sia completamente innestato.
- + Il peso massimo supportato dal cestello della spesa ammonta a 15 kg.
- + Accertarsi che i bambini non si arrampichino sul passeggino.
- + Non permettere ai bambini di giocare con questo prodotto.

## **AVVERTENZA**

### PER LA NAVICELLA

- + La navicella Joolz Geo<sup>3</sup> è adatta solo per bambini che non siano in grado di sedersi, girarsi o sollevarsi da soli su mani e ginocchia. Peso massimo del bambino: 9 kg.
- + Non lasciare mai il bambino incustodito.
- + Questo prodotto è adatto solo per bambini che non siano in grado di stare seduti da soli.
- + Utilizzare solo su una superficie solida, piana e asciutta.
- + Non lasciare che altri bambini giochino incustoditi vicino alla navicella.
- + Non utilizzare se qualsiasi parte della navicella è danneggiata, rotta, strappata o mancante.
- + Utilizzare solo ricambi e accessori forniti o approvati da Joolz.
- + Utilizzare solo il materassino fornito da Joolz. Non aggiungere un materassino supplementare su quello fornito da Joolz.
- + Tenere Joolz Geo<sup>3</sup> lontano da fiamme libere e altre fonti di calore.
- + Controllare regolarmente le maniglie e la base della navicella per verificare l'eventuale presenza di danni e segni di usura.
- + Assicurarsi sempre che la barra di sicurezza sia correttamente fissata alla navicella prima dell'uso.
- + La testa del bambino nella navicella non dovrebbe mai essere più in basso rispetto al corpo.
- + Il surriscaldamento può mettere in pericolo la vita del bambino! Tenere presente la temperatura ambiente e l'abbigliamento del bambino e assicurarsi che questi non sia troppo freddo o troppo caldo.

## PER L'UTILIZZO DEL PRODOTTO COME LETTINO

Il presente prodotto è ideato per bambini dalla nascita fino a 6 mesi, 9 kg, o fino a quando sono in grado di stare seduti da soli o sollevarsi o mettersi a carponi. EN I130: 2019 & EN I6890: 2021

### AVVERTENZA

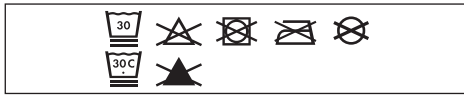
- + Non utilizzare il prodotto senza aver prima letto le istruzioni per l'uso.
- + Smettere di utilizzare il prodotto non appena il bambino è in grado di sedersi, inginocchiarsi o sollevarsi. In questo caso, utilizzare la posizione bassa.
- + Posizionare altri oggetti all'interno del prodotto potrebbe causare soffocamento.
- + Non posizionare il prodotto vicino ad un altro prodotto che potrebbe rappresentare un pericolo di soffocamento o strangolamento, per esempio cordoni, corde di tapparelle/tende, ecc.
- + Non utilizzare più di un materasso nel prodotto, lettino (culla e lettino sospeso).
- + Utilizzare esclusivamente il materasso venduto con la presente culla, non aggiungere un secondo materasso sopra a questo, rischio di soffocamento.

## INFORMAZIONI AGGIUNTIVE

- + Il prodotto deve essere posizionato su un pavimento orizzontale.
- + I bambini non devono essere autorizzati a giocare senza sorveglianza nelle vicinanze della culla.
- + La culla deve essere bloccata in posizione fissa quando il bambino è lasciato senza sorveglianza.
- + Rischio di strangolamento: Tutti i dispositivi di assemblaggio devono essere regolati correttamente ed è necessario assicurarsi che nessuna vite sia allentata, perché il bambino potrebbe rimanere incastrato con parti del corpo o dell'abbigliamento (es. cordoni, collane, catene per ciucci, ecc.).
- + Altezza massima del materasso: 30 mm.
- + **NON** utilizzare la culla in caso di pezzi mancanti, danneggiati o rotti. Contattare Joolz per pezzi di ricambio e manuali di istruzioni se necessario. Non sostituire i pezzi.
- + Tenere in conto il rischio di fuochi aperti e altre fonti di forte calore, come radiatori elettrici, a gas, ecc. nelle immediate vicinanze del lettino (culla e lettino sospeso).
- + Le superfici irregolari possono causare instabilità del prodotto.

## MANUTENZIONE/ISTRUZIONI PER IL LAVAGGIO

I tessuti sono staccabili e lavabili in lavatrice. Sciacquare con acqua fresca e lasciare asciugare. Non usare mai candeggina o altri detergenti chimici. Periodicamente (circa una volta al mese) trattare le ruote e le parti metalliche con spray al Teflon o al silicio per assicurarsi che il passeggino continui a funzionare senza problemi.



Le parti in alluminio del passeggino Geo<sup>3</sup> sono anodizzate per proteggerle da fattori esterni come la corrosione. Le parti in alluminio anodizzato sono vulnerabili ai detergenti acidi e ai grassi, che possono causare macchie e scolorimento su di esse. Pertanto si consiglia di pulire le parti in alluminio del passeggino con acqua calda e un panno morbido.

La sicurezza è stata tenuta in grande considerazione durante lo sviluppo di Joolz Geo<sup>3</sup>, pertanto i nostri prodotti soddisfano i seguenti standard di sicurezza:

Europe:  
ENI888-2:2018 & EN 1466:2014/AC:2015  
United States:  
ASTM F833-2I, ASTM F2050-19  
Canada: SOR/2016-167  
Australia: AS/NZS 2088:2013

Visitare [joolz.com/it/it/home](http://joolz.com/it/it/home), [facebook.it/myjoolz](https://facebook.it/myjoolz) o contattare il proprio rivenditore per eventuali domande e/o commenti.

## **VARNING**

- + Sittdelen är avsedd för barn från 6 månader till 4 års ålder, ELLER upp till en maxvikt på 22 kg i övre läget och 15 kg i nedre läget med en maxhöjd på 100 cm. Beroende på vad som inträffar först.
- + Sittdelen är inte lämplig för barn under 6 månader.
- + Liggdelen är bara lämplig för barn som inte kan sitta upp utan hjälp, vända på sig eller skjuta upp sig med sina händer och knän. Barnets maxvikt: 9 kg/20 lbs.
- + Den här produkten är inte lämplig för löpning eller skridskoåkning.
- + Lämna aldrig barnet utan uppsikt.
- + För att undvika skador ska du se till att barn inte är i närheten vid justering samt upp- och nedfällning av denna produkt.
- + Det finns risk att fingrar inte kommer i kläm vid upp- och nedfällning av barnvagnen. Var försiktig.
- + Undvik allvarlig skador från fall eller barn som glider ur. Använd alltid fasthållningssystemet.
- + Se till att alla låsanordningar är på plats innan användning.
- + Kontrollera att fästnanordningar för liggdelar, sittdelar eller bilbarnstolar är korrekt påsatta före användning
- + Joolz Geo<sup>3</sup> liggdel och sittdel kan endast kombineras med Joolz Geo<sup>3</sup> chassi och vice versa.
- + All last som fästs vid handtaget och/ eller ryggstödets baksida och/ eller fordonets sidor kan påverka dess stabilitet.
- + Paket eller andra föremål som sätts på enheten kan göra att den blir instabil. Övervikt kan orsaka farliga och instabila lastförhållanden.
- + I liggdelen eller sittdelen kan det endast ligga eller sitta ett barn i taget
- + Använd endast sittdelar, ersättande delar eller reservdelar och tillbehör som tillhandahålls eller är godkända av Joolz.
- + Använd inte kuddar, täcken eller tilläggs Madrasser för vaddering som inte tillhandahålls eller är godkända av Joolz.
- + Bilbarnstolar som används tillsammans med ett chassi ska inte ersätta en liggdel eller en säng. Om ditt barn behöver sova bör det placeras i en lämplig spjålsäng, säng eller godkänd liggdel enligt barnets behov.
- + Kontrollera barnvagnens chassi, liggdelen, sittdelen och tillbehören regelbundet för tecken på skador eller slitage.
- + Använd inte vagnen om någon av delarna är skadade, trasiga eller saknas.
- + Lås alltid de främre hjulen innan du faller ihop barnvagnen. I annat fall kan däckerna fastna och deformeras, särskilt i en varm miljö.
- + Bromsarna ska alltid vara låsta när du lägger ner och tar upp barn.
- + Kontrollera att bromspedalen är fullständigt nedtrampad när du använder bromsen.
- + Högsta tillåtna vikt för shoppingkorgen är 15 kg/33 lbs.
- + Se till att barnen inte klättrar in i vagnen.
- + Låt inte barn leka med den här produkten.

# **VARNING**

## **FÖR LIGGDELEN**

- + Joolz Geo<sup>3</sup> liggdelen är bara lämplig för barn som inte kan sitta upp utan hjälp, vända på sig eller skjuta upp sig med sina händer och knän. Barnets maxvikt: 9 kg/20 lbs.
- + Lämna aldrig barnet utan uppsikt.
- + Den här produkten lämpar sig endast för barn som inte kan sitta upp utan hjälp.
- + Använd den endast på en stabil, horisontell och torr yta.
- + Låt inte andra barn leka nära liggdelen utan uppsikt.
- + Använd den inte om någon del av liggdelen är skadad, trasig eller saknas.
- + Använd endast ersättnings- eller reservdelar samt tillbehör som tillhandahålls eller är godkända av Joolz.
- + Använd endast Joolz madrasser. Lägg ingen extra madrass ovanpå madrassen från Joolz.
- + Håll Joolz Geo<sup>3</sup> borta från bränder och andra värmekällor.
- + Liggdelens handtag och botten bör kontrolleras regelbundet så att tecken på skador och slitage kan upptäckas.
- + Se alltid till att stötfångaren är korrekt fastsatt på liggdelarna före användning.
- + Barnets huvud ska aldrig vara lägre än barnets kropp i liggdelen.
- + Ditt barns liv kan sväva i fara vid överhettning! Håll koll på omgivningstemperaturen och barnets kläder samt se till att barnet inte är för kallt eller varmt.

## **FÖR ANVÄNDNING AV PRODUKTEN SOM SPJÄLSÅNG**

Den här produkten är avsedd för spädbarn, från födseln upp till 6 månader, eller 9 kg, eller tills de kan sitta utan hjälp, resa sig upp eller stå på alla fyra. EN I130: 2019 & EN I6890: 2021

## **VARNING**

- + Använd inte den här produkten utan att först läsa bruksanvisningen.
- + Sluta använda spjålsängen så fort barnet kan sitta, ställa sig på knä eller resa sig upp.
- + Placering av ytterligare föremål i produkten kan orsaka kvävning.
- + Placera inte produkten nära en annan produkt som skulle kunna utgöra fara för kvävning eller strypning, t.ex. snoddar, snören till rullgardiner/gardiner osv.
- + Använd inte mer än en madrass i produkten, barnsängen (spjålsäng och upphöjd säng).
- + Använd endast madrassen som säljs med den här barnsängen.
- + Lägg inte ytterligare en madrass ovanpå denna. Risk för kvävning.

## YTTERLIGARE INFORMATION

- + Produkten ska placeras på ett plant golv.
- + Barn får inte tillåtas att leka utan tillsyn i närheten av spjålsängen.
- + Spjålsängen ska fästas i låst läge när barnet lämnas utan uppsikt.
- + Risk för strypning: Alla monteringsbeslag bör alltid dras åt ordentligt och försiktighet bör iakttas att inga skruvar är lösa, eftersom ett barn kan fastna med antingen vissa kroppsdelar eller kläderna (t.ex. snoddar, halsband, band till snuttefiltar osv.).
- + Maximal tjocklek på madrassen: 30mm.
- + Använd INTE spjålsängen om några delar saknas, är skadade eller trasiga. Kontakta Joolz för reservdelar och handledningar om det behövs. Ersätt inga delar.
- + Observera riskerna med öppen eld eller andra starka värmekällor, till exempel infravärmare, gaskaminer m.m. i närheten av barnsängen (spjålsäng och upphöjd säng).
- + Ojämna ytor kan orsaka instabilitet hos produkten.

## UNDERHÅLL/TVÄTRÅD

Tygerna kan tas av och maskintvättas. Skölj i rent vatten och låt torka. Använd aldrig blekmedel eller andra kemiska rengöringsmedel. Behandla hjul och metalldelar regelbundet (ungefär en gång i månaden) med Teflon- eller silikonspray så att barnvagnen fortsätter att rulla smidigt.



Aluminiumdelarna på din Geo<sup>3</sup> barnvagn är ytbehandlade för att vara skyddade från yttre påverkan såsom rost. Ytbehandlade aluminiumdelar är känsliga för sura rengöringsmedel eller fett, som kan orsaka fläckar och missfärgningar på aluminiumdelarna. Vi rekommenderar därför att du rengör aluminiumdelarna på din barnvagn med varmt vatten och en mjuk trasa.

Säkerhet har varit en viktig faktor i hela utvecklingsprocessen för Joolz Geo<sup>3</sup>. Våra produkter uppfyller därför följande säkerhetsstandarder:

Europe:  
EN1888-2:2018 & EN 1466:2014/AC:2015  
United States:  
ASTM F833-21, ASTM F2050-19  
Canada: SOR/2016-167  
Australia: AS/NZS 2088:2013

Besök gärna [joolz.com](http://joolz.com), [facebook.com/myjoolz](https://www.facebook.com/myjoolz) eller kontakta din återförsäljare vid eventuella frågor och/eller kommentarer.

## **ADVARSEL**

- + Seteenheten er tiltenkt for barn fra 6 måneder og opp til 4 år, ELLER opp til en maksvekt på 22 kg i den øvre posisjonen og 15 kg i den nedre posisjonen med en maksimal høyde på 100 cm. Det som kommer først.
- + Denne sittedelen er ikke egnet for barn under 6 måneder.
- + Liggedelen er kun egnet for et barn som ikke kan sitte opp av seg selv, rulle eller komme seg opp på hender og knær. Maksimal vekt for barnet: 9 kg/20 lbs.
- + Dette produktet er ikke egnet for løping eller bruk med skøyter.
- + Forlat aldri barnet uten tilsyn.
- + For å unngå personskade, sørg for at barnet/ barna holdes borte når du justerer, folder ut og folder sammen dette produktet.
- + Vær obs på fare for å fange fingrene når du bretter barnevognen/sportsvognen. Det bør utvises forsiktighet.
- + Unngå alvorlige personskader fra å falle eller skli ut. Bruk alltid sikkerhetsbeltene.
- + Før bruk, forsikre deg om at alle låseenheter er på plass.
- + Kontroller at festeanordningene liggedelen, sittedelen eller bilstolen er riktig festet før bruk
- + Joolz Geo<sup>3</sup>- og sittedelene er kun compatible med Joolz Geo<sup>3</sup> understellet og omvendt.
- + Enhver type last festet til håndtaket og/ eller på baksiden av ryggstøtten og/eller på sidene av vognen vil påvirke vognens stabilitet.
- + Pakker eller andre gjenstander, eller begge deler, som plasseres på

enheten, kan påvirke stabiliteten. Overdreven vekt kan forårsake farlige, ustabile forhold.

- + Liggedelen eller sittedelen kan kun bære ett barn om gangen
- + Bruk kun bilstoler, utskiftings- eller reservedeler og tilbehør som leveres eller er godkjent av Joolz.
- + Ikke bruk ekstra puter, kosedyr eller madrasser for polstring, som ikke leveres eller er godkjent av Joolz.
- + Bilstoler som brukes i kombinasjon med et understell, erstatter ikke en babyseng eller en seng. Skulle barnet ditt trenge å sove, bør det plasseres i en egnet babyseng, seng eller et godkjent soveområde basert på barnets behov.
- + Kontroller barnevognens understell, liggedelen, sittedelen og tilbehøret regelmessig for tegn på skade og slitasje.
- + Ikke bruk barnevognen dersom noen av delene er skadet, revnet eller mangler.
- + Tilsett alltid svivellåsen på forhjulene før barnevognen foldes sammen. Unnlattelse av å gjøre dette kan resultere i deformasjon av dekkene, særlig i varme omgivelser.
- + Bremsene skal alltid være aktivert når du plasserer og fjerner barna.
- + Sørg for at bremsepedalen er fullstendig tilkoblet når du bruker bremsen.
- + Den maksimale vekten for varekurven er 15 kg/33 lbs.
- + Sørg for at barne ikke klatrer inn i barnevognen.
- + Ikke la barn leke med dette produktet.



# **ADVARSEL**

## **FOR LIGGEDELEN**

- + Joolz Geo<sup>3</sup>-liggedelen er kun egnet for et barn som ikke kan sitte opp av seg selv, rulle eller komme seg opp på hender og knær. Maksimal vekt for barnet: 9 kg/20 lbs.
- + Forlat aldri barnet uten tilsyn.
- + Dette produktet er kun egnet for et barn som ikke kan sitte opp av seg selv.
- + Bruk kun på en fast, horisontal og tørr overflate.
- + Ikke la andre barn leke uten tilsyn i nærheten av liggedelen.
- + Må ikke brukes hvis noen deler av liggedelen er ødelagt, revnet eller mangler.
- + Bruk kun utskiftings- eller reservedeler og tilbehør som leveres eller er godkjent av Joolz.
- + Bruk kun madrassen som er levert av Joolz. Ikke legg en ekstra madrass oppå madrassen som er levert av Joolz.
- + Hold Joolz Geo<sup>3</sup> unna åpen ild og andre varmekilder.
- + Håndtakene og bunnen av liggedelen bør kontrolleres regelmessig for tegn på skade og slitasje.
- + Kontroller alltid at frontbøylen er riktig festet til liggedelen før bruk.
- + I liggedelen må hodet til barnet aldri være lavere enn kroppen.
- + Overoppheting kan være livsfarlig for barnet ditt! Ta hensyn til omgivelsestemperaturen og barnets bekledding for å sikre at barnet verken er for kaldt eller varmt.

## **FOR BRUK AV PRODUKTET SOM BARNESENG**

Dette produktet er tiltenkt spedbarn, fra fødselen til 6 måneder, 9 kg, eller til de er i stand til å sitte selv eller dra eller skyve seg selv opp på hender og knær. EN I130: 2019 & EN I6890: 2021

## **ADVARSEL**

- + Ikke bruk produktet uten å ha lest brukerveiledningen først.
- + Slutt å bruke produktet så snart barnet kan sitte eller sitte på kne eller trekke seg opp. Da bør den laveste posisjonen brukes.
- + Om det plasseres andre gjenstander i produktet kan det føre til kvelning.
- + Ikke plasser produktet i nærheten av et annet produkt som kan føre til fare for kvelning eller struping, f.eks. snorer, persienner/gardinsnorer, osv.
- + Ikke bruk mer enn én madrass i produktet (sprinkelseng og suspendert seng).
- + Bare bruk madrassen som selges med sprinkelsengen, ikke legg til en annen madrass på denne, kvelningsfare.

## YTTERLIGERE INFORMASJON

- + Produktet skal plasseres på et horisontalt gulv.
- + Barn skal ikke ha lov til å leke uten tilsyn i nærheten av sprinkelsengen.
- + Sprinkelsengen skal være låst i den faste posisjonen når barnet er uten tilsyn.
- + Risiko for struping: Alle monteringsdeler skal alltid være strammet skikkelig og det skal utvises forsiktighet for å sikre at ingen skruer er løse, siden et barn kan sette fast deler av kroppen eller klær (f.eks. snorer, halsbånd, smokkesnorer osv.).
- + Maksimal tykkelse på madrassen: 30 mm.
- + IKKE bruk sprinkelsengen hvis noen deler mangler, er skadet eller ødelagt. Ta kontakt med Joolz for reservedeler og instruksjonsmanualer om nødvendig. Ikke skift ut noen deler.
- + Vær oppmerksom på faren fra åpen ild eller andre kilder for sterk varme, som elektriske varmeovner, gassovner osv. i nærheten av barnesengen (sprinkelseng og suspendert seng)
- + Ujevne overflater kan forårsake ustabilitet av produktet.

## VEDLIKEHOLDS-/ VASKEANVISNINGER

Stoffdelene kan tas av og maskinvaskes. Skyll med rent vann og la tørke. Bruk aldri blekemiddel eller andre kjemiske rengjøringsmidler. Behandle hjulene og metalldelene med teflon- eller silikonspray med jevne mellomrom (ca. en gang i måneden), for å sikre at barnevognen fortsetter å rulle friksjonsfritt.



Aluminumsdelene til Joolz Geo<sup>3</sup> barnevognen er anodisert for å beskytte de mot ytre påvirkninger som korrosjon. Aluminumsdelene med belegg er følsomme for sure rengjøringsmidler eller fett, noe som kan forårsake flekker og misfarging av aluminumsdelene. Vi råder deg derfor til å rengjøre aluminumsdelene på barnevognen din med varmt vann og en myk klut.

Sikkerhet var en viktig faktor under utviklingen av Joolz Geo<sup>3</sup>. Våre produkter er oppfyller derfor følgende sikkerhetsstandarder:

Europe:  
EN1888-2:2018 & EN 1466:2014/AC:2015  
United States:  
ASTM F833-2I, ASTM F2050-19  
Canada: SOR/2016-167  
Australia: AS/NZS 2088:2013

Besøk [joolz.com](http://joolz.com), [facebook.com/myjoolz](https://www.facebook.com/myjoolz) eller ta kontakt med forhandleren din for spørsmål og/eller kommentarer.

## VAROITUS

- + Istuin on tarkoitettu 6 kuukauden – 4 vuoden ikäisille lapsilleTAI enintään22 kg:n painoisille lapsille yläasennossa ja 15 kg:n painoisille lapsille ala-asennossa niin, että lapsen pituus on enintään 100 cm, kumpi tuleekaan vastaan aiemmin.
- + Istuinosayksikkö ei sovellu alle 6 kuukauden ikäisille lapsille.
- + Kantokoppa sopii vain lapselle, joka ei osaa istua ilman apua, kääntyä ympäri, eikä pysty työntämään itseään kontalleen. Lapsen suurin paino saa olla: 9 kg/20 lbs.
- + Tämä tuote ei sovellu juoksemiseen tai luistelemiseen.
- + Älä koskaan jätä lasta ilman valvontaa.
- + Vältä henkilövahingot varmistamalla, että lapsi/lapset pidetään poissa liikkuvien osien luota, kun säädät, avaat ja taitat kokoon tätä tuotetta.
- + Varo sormien joutumista väliin, kun taitat kiinni tai avaat lastenvaunuja/-rattaita. Ole huolellinen.
- + Vältä putoamisen tai liukumisen aiheuttama vakava henkilövahinko. Käytä aina turvajärjestelmää.
- + Varmista ennen käyttöä, että kaikki lukituslaitteet on lukittu.
- + Tarkasta, että kantokopan, istuinosan tai turvaistuimen kiinnityslaitteet on asianmukaisesti kiinnitetty ennen käyttöä
- + Joolz Geo<sup>3</sup> -kantokoppa ja istuinosa ovat yhteensopivia vain Joolz Geo<sup>3</sup> -rungon kanssa ja päinvastoin.
- + Mahdollinen työntöaisaan ja/ tai niskatuen taakse ja/tai ajoneuvon sivulle kiinnitetty kuorma vaikuttaa ajoneuvon vakauteen.
- + Yksikköön asetetut paketit tai lisävarusteet, tai molemmat, voivat tehdä yksiköstä epävakaan. Liian suuri paino voi aiheuttaa vaarallisen epävakaan tilanteen.
- + Kantokoppa tai istuinosa pystyy kantamaan vain yhden lapsen kerrallaan
- + Käytä vain Joolzin toimittamia tai hyväksymiä turvaistuimia, vaihto- tai varaosia.
- + Älä käytä pehmustamiseen sellaista tyynyä, peittoa tai lisäpatjaa, jota Joolz ei ole toimittanut tai hyväksynyt.
- + Turvaistuimet, käytettynä yhdessä rungon kanssa, eivät korvaa makuuosaa tai sänkyä. Mikäli haluat laittaa lapsesi nukkumaan, turvaistuin on asetettava sopivaan lapsensänkyyn, sänkyyn tai hyväksytyyn nukkumatilaan lapsesi vaatimusten mukaisesti.
- + Tarkista rattaiden runko, kantokoppa, istuinosa ja lisävarusteet säännöllisesti vaurioiden ja kulumisen merkkien varalta.
- + Älä käytä rattaita, jos jokin osista on vaurioitunut, repeytynyt tai puuttuu.
- + Lukitse aina etupyörien käntöluukko, ennen kuin taitat rattaat kokoon. Tämän laiminlyönti voi aiheuttaa renkaiden vääntymistä, erityisesti kuumassa ympäristössä.
- + Jarrut on aina kytkettävä päälle, kun laitat lasta rattaisiin tai otat pois niistä.
- + Varmista, että jarrupoljin painetaan pohjaan asti jarrua käytettäessä.
- + Ostoskorin enimmäispaino on 15 kg/33 lbs.

- + Varmista, että lapset eivät kiipeä rattaisiin.
- + Älä anna lapsesi/lastesi leikkiä tällä tuotteella.

## **VAROITUS** **KANTOKOPALLE**

- + Joolz Geo<sup>3</sup>-kantokoppa sopii vain lapselle, joka ei osaa istua ilman apua, kääntyä ympäri, eikä pysty työntämään itseään kontalleen. Lapsen suurin paino saa olla: 9 kg/20 lbs.
- + Älä koskaan jätä lasta ilman valvontaa.
- + Tämä tuote sopii vain lapselle, joka ei osaa istua ilman apua.
- + Käytä vain tukevalla, vaakatasossa olevalla ja kuivalla pinnalla.
- + Älä anna muiden lasten leikkiä valvomatta lähellä kantokoppaa.
- + Älä käytä, jos jokin kantokopan osa on vahingoittunut, repeytynyt tai puuttuu.
- + Käytä vain Joolzin toimittamia tai hyväksymiä vaihto- tai varaosia.
- + Käytä vain Joolzin toimittamaa patjaa. Älä laita lisäpatjaa Joolzin toimittaman patjan päälle.
- + Säilytä Joolz Geo<sup>3</sup>-istuinta poissa avotulesta ja muista lämmönlähteistä.
- + Kantokopan kahvat ja pohja on tarkistettava säännöllisesti vaurioiden tai kulumisen merkkien varalta.
- + Varmista aina, että turvakaari on asianmukaisesti kiinnitetty kantokoppaan ennen käyttöä.

- + Lapsen pää kantokopassa ei saa koskaan olla vartaloa alempana.
- + Ylikuumentuminen voi vaarantaa lapsen hengen! Ota huomioon ympäristön lämpötila ja lapsen vaatteet ja varmista, että lapsella ei ole liian kylmä tai liian kuuma.

## **TUOTTEEN KÄYTTÄMISESTÄ PINNASÄNGYNÄ.**

Tämä tuote on tarkoitettu pikkulapsille syntymästä 6 kuukauden ikään tai 9 kg:n painoon saakka tai kunnes lapset pystyvät istumaan ilman tukea tai vetämään tai työntämään itsensä ylös käsiensä ja polviensa varassa. EN 1130: 2019 & EN 16890: 2021

## VAROITUS

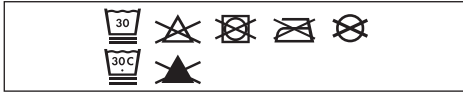
- + Älä käytä tätä tuotetta, ennen kuin olet ensin lukenut käyttöohjeet.
- + Lopeta tuotteen käyttö heti, kun lapsi osaa istua, polvistua tai vetää itsensä ylös. Alempaa asentoa on käytettävä silloin.
- + Lisäosien asettaminen tuotteeseen voi aiheuttaa tukehtumisen.
- + Älä aseta tuotetta toisen tuotteen lähelle, joka voisi edustaa tukehtumis- tai kuristumisvaaraa, esim. rihmat, kaihtimien/verhojen nyörit jne.
- + Älä käytä tätä tuotetta, ennen kuin olet ensin lukenut käyttöohjeet.
- + Lopeta tuotteen käyttö heti, kun lapsi osaa istua, polvistua tai vetää itsensä ylös.

## LISÄINFORMAATIO

- + Tuote tulee sijoittaa vaakasuoralle lattialle.
- + Lasten ei saa antaa leikkiä ilman valvontaa pinnasängyn läheisyydessä.
- + Pinnasänky tulee lukita kiinteään asentoon, kun lapsi jätetään ilman valvontaa.
- + Kuristumisvaara: Kaikki asennusosat tulee aina kiristää kunnolla ja varo ettei ruuveja ole löysällä, koska lapsi voi jäädä ripustuksiin ruumiinosiin tai vaatteisiin (esim. narut, kaulakorut, vauvojen nukkejen nauhat jne.
- + Patjan enimmäispaksuus: 30 mm.
- + ÄLÄ käytä pinnasänkyä, jos jokin osa puuttuu, on vaurioitunut tai rikki. Ota yhteyttä Joolz varaosien ja ohjekirjallisuuden saamiseksi tarvittaessa. Älä vaihda osia.
- + Ole tietoinen avoimen tulen ja muiden voimakkaan lämmönlähteiden, kuten sähköpalojen, kaasupalojen jne. vaarasta pinnasängyn (sängyn ja ripustettavan sängyn) läheisyydessä.
- + Epätasaiset pinnat voivat aiheuttaa tuotteen epävakautta.

## KUNNOSSAPITO-/ PESUOHJEET

Kankaat ovat irrotettavia ja konepestäviä. Huuhtele puhtaalla vedellä ja anna kuivua. Älä käytä valkaisuainetta tai muita kemiallisia puhdistusaineita. Käsittele säännöllisesti (noin kerran kuukaudessa) pyörät ja metalliosat Teflon- tai silikonisuihkeella varmistaaksesi, että rattaasi toimivat edelleen moitteettomasti.



Geo<sup>3</sup>-rattaiden alumiiniosat on pinnoitettu ulkoisilta vaikutuksilta, kuten korroosiolta, suojaamiseksi. Pinnoitetut alumiiniosat ovat herkkiä happamille puhdistusaineille tai rasvalle, jotka voivat värjätä ja haalistaa alumiiniosia. Siksi suosittelemme puhdistamaan rattaidesi alumiiniosat lämpimällä vedellä ja pehmeällä liinalla.

Turvallisuus oli tärkeä näkökohta koko Joolz Geo<sup>3</sup>-rattaiden kehitysprosessin ajan. Täten tuotteemme täyttävät seuraavat turvastandardit:

Europe:  
EN1888-2:2018 & EN 1466:2014/AC:2015  
United States:  
ASTM F833-21, ASTM F2050-19  
Canada: SOR/2016-167  
Australia: AS/NZS 2088:2013

Käy sivustolla [joolz.com](http://joolz.com), [facebook.com/myjoolz](https://www.facebook.com/myjoolz) tai ota yhteyttä myyjääsi, jos sinulla kysyttävää ja/tai huomioitavaa.

## ADVARSEL

- + Sædet er beregnet til børn fra 6 måneder til 4 år, ELLER op til en maksimal vægt på 22 kg i øvre position og 15 kg i nedre position med en maksimal højde på 100 cm. Alt efter om barnet falder for alders- højde- eller vægtgrænsen først.
- + Sædeenheden er ikke egnet til børn under 6 måneder.
- + Babyliften er kun egnet til børn, der endnu ikke selv kan sidde op, rulle rundt eller skubbe sig selv op på hænder og knæ. Maksimal vægt for barnet: 9 kg.
- + Dette produkt egner sig ikke til løb eller skøjteløb.
- + Lad aldrig barnet være uden opsyn.
- + For at undgå skader skal du sikre dig, at dit barn/dine børn holdes på afstand, når dette produkt justeres, klappes ud og klappes sammen.
- + Pas på ikke at få fingre i klemme, når barnevognen/klapvognen klappes ud eller klappes sammen. Vær forsigtig.
- + Undgå at falde eller skride ud, da det kan medføre alvorlige skader. Brug altid selesystemet.
- + Før brug skal alle låseanordninger aktiveres.
- + Kontrollér før brug, at monteringsenhederne til babyliften eller autosædet er korrekt i indgreb.
- + Joolz Geo<sup>3</sup>-babyliften og -sædet er kun compatible med Joolz Geo<sup>3</sup>-stellet og vice versa.
- + Enhver belastning, der er fastgjort til trækstangen og/eller på bagsiden af ryglænet og/eller på siderne af køretøjet, vil påvirke køretøjets stabilitet.
- + Pakker eller tilbehør, eller begge dele, der anbringes på enheden, kan gøre enheden ustabil. Kraftig vægt kan forårsage en farlig og ustabil tilstand.
- + Babyliften eller sædet er kun beregnet til ét barn ad gangen.
- + Brug kun autosæder, udskiftnings- eller reservedele og tilbehør, der er leveret eller godkendt af Joolz.
- + Undlad at bruge puder, dyner eller ekstra madrasser til polstring, som ikke er leveret eller godkendt af Joolz.
- + Autosæder, der bruges sammen med et stel, må ikke træde i stedet for en barneseng eller en seng. Hvis dit barn får behov for at sove, skal det placeres i en egnet tremmeseng, seng eller et godkendt soveområde, der opfylder dit barns krav.
- + Kontrollér klapvognsstellet, babyliften, sædet og tilbehøret med jævne mellemrum for tegn på skader og slitage.
- + Undlad at benytte klapvognen, hvis der er beskadigede, ødelagte eller manglende dele.
- + Aktivér altid forhjulenes drejelås, inden klapvognen klappes sammen. Gør man ikke det, risikerer man, at dækkene bliver deformeret, særligt i varme miljøer.
- + Bremserne skal altid være aktiveret, når barnet sættes i eller tages ud.
- + Sørg for, at bremsepedalen er helt indkoblet, når du bremser.
- + Indkøbskurven må højst veje 15 kg.
- + Sørg for, at der ikke kravler børn ind i klapvognen.
- + Dit barn/dine børn må ikke lege med dette produkt.



# **ADVARSEL**

## **TIL BABYLIFTEN**

- + Joolz Geo<sup>3</sup>-babyliften er kun egnet til børn, der endnu ikke selv kan sidde op, rulle rundt eller skubbe sig selv op på hænder og knæ. Maksimal vægt for barnet: 9 kg.
- + Lad aldrig barnet være uden opsyn.
- + Dette produkt er kun egnet til børn, der ikke kan sidde op uden støtte.
- + Må kun benyttes på en fast, vandret, plan og tør overflade.
- + Andre børn må ikke lege uden opsyn i nærheden af babyliften.
- + Må ikke benyttes, hvis nogen af babyliftens dele er defekte, ødelagte, slidte eller mangler.
- + Brug kun udskiftnings- eller reservedele og tilbehør, der er leveret eller godkendt af Joolz.
- + Brug kun den madras, der medfølger fra Joolz. Læg ikke ekstra madrasser oven på den madras, der medfølger fra Joolz.
- + Hold Joolz Geo<sup>3</sup> på afstand af åben ild og andre varmekilder.
- + Babyliftens håndtag og bund skal kontrolleres regelmæssigt for tegn på skader og slid.
- + Før brug skal du altid sørge for, at sikkerhedsbøjlen er korrekt sat på babyliften.
- + I babyliften må barnet aldrig have hovedet lavere end kroppen.
- + Overophedning kan udgøre en fare for dit barn! Tag højde for den omgivende temperatur og barnets tøj, og sikr, at barnet ikke er for kold eller varm.

## **FOR BRUG AF PRODUKTET SOM TREMMESENG**

Dette produkt er beregnet til småbørn, fra fødsel til 6 måneder, 9 kg, eller indtil de er i stand til uden hjælp eller at kunne trække eller skubbe sig selv op på deres hænder og knæ. EN 1130: 2019 & EN 16890: 2021

## **ADVARSEL**

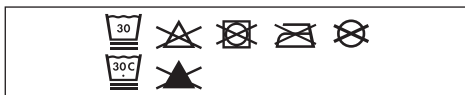
- + Anvend ikke dette produkt uden at læse brugsanvisningen først.
- + Stop med at anvende produktet så snart barnet kan sidde eller ligge på knæ eller trække sig selv op. Den lavere position bør så anvendes.
- + Placering af yderligere emner i produktet kan medføre kvælning.
- + Anbring ikke produktet nær noget andet produkt, der kunne udgøre en fare for kvælning eller strangulering, f.eks. snore, persienne-/gardinsnøre, etc.
- + Anvend ikke mere end én madras i produktet, tremmeseng (barneseng eller ophængt seng).
- + Anvend kun madrassen, der blev solgt med denne barneseng og tilføj ikke endnu en madras til denne, kvælningssfare.

## YDERLIGERE OPLYSNINGER

- + Produktet skal placere på et horisontalt underlag.
- + Børn må ikke få lov til at lege uden opsyn i nærheden af barnesengen.
- + Brnesengen skal låses i fast stilling, når barnet efterlades uden opsyn.
- + Risiko for kvælning. Alle samlingsbeslag bør altid være korrekt strammet til og der skal udvises forsigtighed med, at ingen skruer er løse, da et barn kunne blive fanget med en del af kroppen eller tøjet (f.eks. snore, halskæder, bændler til babylegetøj, etc.).
- + Maksimal madrastykkelse: 30 mm.
- + Anvend IKKE barnesengen, hvis nogen dele mangler, er beskadiget eller istykker. Kontakt Joolz for udskiftningsdele og instruktiv litteratur om nødvendigt. æt ikke andre dele istadet.
- + Vær opmærksom på risikoen ved åben ild eller andre kraftige varmekilder, såsom elektriske varmeovne, gasovne, etc. i nærheden af tremmesengen (barneseng eller ophængt seng).
- + Ujævne overflader kan forårsage ustabilitet af produktet.

## VEDLIGEHOJDELSE/ VASKEINSTRUKTIONER

Stofferne kan tages af og maskinvaskes. Skyl efter med rent vand, og lad det lufttørre. Undlad brug af blegemidler eller kemiske rengøringsmidler. Hjul og metaldele skal med jævne mellemrum (ca. én gang om måneden) behandles med PTFE- eller silikonespray, så klapvognen bliver ved med at køre problemfrit.



Aluminiumsdelene på din Geo<sup>3</sup>-klapvogn er coatede, så de er beskyttet mod eksterne påvirkninger som f.eks. rust. Coatede aluminiumsdele er sårbare over for syreholdige rengøringsmidler og fedt, hvilket kan forårsage pletter og misfarvning af aluminiumsdelene. Det anbefales derfor at rengøre klapvognens aluminiumsdele med varmt vand og en blød klud.

Sikkerheden har været en vigtig prioritet i udviklingen af Joolz Geo<sup>3</sup>. Vores produkter opfylder således følgende sikkerhedsstandarder:

Europe:  
EN1888-2:2018 & EN 1466:2014/AC:2015  
United States:  
ASTM F833-21, ASTM F2050-19  
Canada: SOR/2016-167  
Australia: AS/NZS 2088:2013

Besøg [joolz.com](http://joolz.com), [facebook.com/myjoolz](https://facebook.com/myjoolz), eller kontakt din forhandler for eventuelle spørgsmål og/eller kommentarer.

## ПРЕДУПРЕЖДЕНИЕ

- + Сиденье предназначено для детей возрастом от 6 месяцев до 4 лет ИЛИ весом не более 22 кг в верхнем положении и не более 15 кг в нижнем положении при росте не выше 100 см, в зависимости от того, какое из ограничений будет достигнуто первым.
- + Данное сиденье не подходит для детей в возрасте до 6 месяцев.
- + Эта люлька предназначена исключительно для детей, которые не могут сидеть без посторонней помощи, переворачиваться и стоять, опираясь на руки и колени. Максимальная масса тела ребенка: 9 кг/20 фунтов.
- + Не используйте данное изделие во время бега или катания на коньках.
- + Никогда не оставляйте ребенка без присмотра.
- + Во избежание травм при регулировке, раскладывании и складывании изделия убедитесь в том, что ребенок (дети) не находится вблизи него.
- + При складывании или раскладывании многофункциональной детской коляски/прогулочной детской коляски соблюдайте осторожность, чтобы не зажало пальцы. Проявляйте должную осторожность.
- + Не допускайте серьезного травмирования ребенка вследствие его падения или выскальзывания из коляски. Всегда используйте систему фиксации.
- + Перед использованием изделия убедитесь, что все блокировочные устройства задействованы.
- + Перед использованием убедитесь, что крепежные приспособления люльки, сиденья или автокресла правильно закреплены.
- + Люлька и сиденье Joolz Geo<sup>3</sup> совместимы исключительно с шасси Joolz Geo<sup>3</sup> и наоборот.
- + Любой груз, прикрепленный к ручьятке и (или) к задней части спинки, и (или) по бокам коляски, будет влиять на ее устойчивость.
- + Помещенные на изделие вещи, дополнительные принадлежности или и то и другое могут сделать изделие неустойчивым. Излишний вес может создать опасные неустойчивые условия.
- + В люльке и сиденье можно одновременно переносить только одного ребенка.
- + Используйте только те автокресла, сменные или запасные части и принадлежности, которые поставляются или одобрены компанией Joolz.
- + Не используйте для подкладывания подушку, одеяло или дополнительный матрас, которые не поставляются или не одобрены компанией Joolz.
- + Автокресла, которые используются в сочетании с шасси, не могут заменить собой люльку или кровать. Если вашему ребенку нужно поспать, его следует поместить в подходящую детскую кроватку, кровать или надлежащую спальную зону, оборудованную в соответствии с потребностями вашего ребенка.

- + Регулярно проверяйте шасси коляски, люльку, сиденье и принадлежности на наличие признаков повреждений и износа.
- + Не используйте коляску, если какая-либо из ее частей повреждена, изношена или отсутствует.
- + Перед складыванием коляски всегда применяйте поворотный замок для передних колес. Несоблюдение этого правила может привести к деформации шин, особенно в условиях жаркого климата.
- + Когда вы кладете ребенка в коляску или вынимаете его из нее, обязательно фиксируйте колеса тормозом.
- + При применении тормоза убедитесь, что педаль тормоза полностью нажата.
- + Максимальный вес корзины для покупок составляет 15 кг/33 фунтов.
- + Следите за тем, чтобы дети не залезали в коляску.
- + Не позволяйте ребенку (детям) играть с изделием.

## ПРЕДУПРЕЖДЕНИЕ для люльки

- + Люлька Joolz Geo<sup>3</sup> предназначена исключительно для детей, которые не могут сидеть без посторонней помощи, переворачиваться и стоять, опираясь на руки и колени. Максимальная масса тела ребенка: 9 кг/20 фунтов.
- + Никогда не оставляйте ребенка без присмотра.
- + Данное изделие предназначено исключительно для детей, которые не могут самостоятельно сидеть.
- + Используйте только на сухой и твердой горизонтальной поверхности.
- + Не позволяйте другим детям играть рядом с люлькой без присмотра.
- + Не используйте люльку, если какая-либо ее часть сломана, разорвана или отсутствует.
- + Используйте лишь такие сменные или запасные части и принадлежности, которые поставляются компанией Joolz или одобрены ей.
- + Используйте только те матрасы, которые предоставляет компания Joolz. Не кладите дополнительный матрас поверх матраса, предоставленного компанией Joolz.
- + Храните Joolz Geo<sup>3</sup> вдали от открытого пламени и других источников тепла.
- + Ручки и дно люльки следует регулярно проверять на наличие признаков повреждения и износа.
- + Перед использованием обязательно проверяйте правильность присоединения бампера к люльке.

- + В люльке голова ребенка не должна располагаться ниже тела.
- + Перегрев представляет опасность для жизни Вашего ребенка! Учитывайте температуру окружающей среды и одежду ребенка и следите за тем, чтобы ему не было слишком холодно или слишком жарко.

### **ИСПОЛЬЗОВАНИЕ ИЗДЕЛИЯ В КАЧЕСТВЕ ДЕТСКОЙ КРОВАТКИ**

Это изделие предназначено для младенцев, с рождения до 6 месяцев, 9 кг или до тех пор, пока они не смогут сидеть без посторонней помощи, подтягиваться или подниматься на руки и колени. EN130: 2019 & EN16890: 2021

### **ПРЕДУПРЕЖДЕНИЕ**

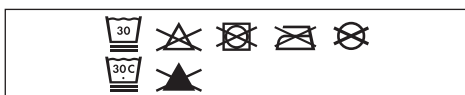
- + Не используйте это изделие без предварительного ознакомления с инструкцией по использованию.
- + Прекратите использование изделия, как только ребенок сможет садиться, вставать на колени или подтягиваться. В таком случае следует использовать нижнее положение.
- + Размещение дополнительных предметов в изделии может вызвать риск удушья.
- + Не размещайте изделие рядом с другими изделиями, которые могут
- + Представлять опасность удушья, например, веревки, шнуры жалюзи или штор и т. п.
- + Не используйте более одного матраса в изделии (детской кроватке или подвесной кроватке).
- + Используйте только.

### **ДОПОЛНИТЕЛЬНАЯ ИНФОРМАЦИЯ**

- + Изделие должно быть размещено на горизонтальном полу.
- + Детям не разрешается играть без присмотра вблизи детской кроватки.
- + Кроватка должна быть зафиксирована в фиксированном положении, когда ребенок остается без присмотра.
- + Опасность удушья: все монтажные фитинги всегда должны быть затянуты должным образом, и следует следить за тем, чтобы не были ослаблены винты, так как ребенок может защемить части тела или одежды (например, шнурки, ожерелья, ленты для детских пустышек и т. д.).
- + Максимальная толщина матраса: 30 мм.
- + НЕ используйте кроватку, если какие-либо детали отсутствуют, повреждены или сломаны. Свяжитесь с Joolz для получения запасных частей и учебной литературы, если это необходимо. Не заменяйте детали.
- + Помните о риске открытого огня и других источников сильного тепла, таких как электрические плиты, газовые горелки и т. д., в непосредственной близости от детской кроватки (кроватки и подвесной кровати).
- + Неровные поверхности могут привести к нестабильности продукта.

## ТКАНЬ НЕОБХОДИМО ОЧИЩАТЬ ТЕПЛОЙ ВОДОЙ С МЫЛОМ

Ткани съемные, их можно стирать в стиральной машине. Ополосните чистой водой и оставьте до полного высыхания. Никогда не используйте отбеливатель или другие химические моющие средства. Периодически (примерно раз в месяц) обрабатывайте колеса и металлические детали тефлоновой или силиконовой смазкой для увеличения срока службы коляски.



Алюминиевые детали коляски Geo<sup>3</sup> имеют защитное покрытие от внешних воздействий, таких как коррозия. Не рекомендуется проводить обработку алюминиевых деталей с защитным покрытием кислотными моющими средствами или смазкой, так как это может привести к появлению пятен и изменению их цвета. Поэтому мы рекомендуем очищать алюминиевые детали коляски при помощи теплой воды и мягкой ткани.

При разработке коляски Joolz Geo<sup>3</sup> безопасность всегда была приоритетной задачей. Поэтому наши продукты соответствуют следующим стандартам безопасности:

Europe:  
EN1888-2:2018 & EN 1466:2014/AC:2015  
United States:  
ASTM F833-2I, ASTM F2050-19  
Canada: SOR/2016-167  
Australia: AS/NZS 2088:2013

Посетите [joolz.com](http://joolz.com), [facebook.com/myjoolz](https://facebook.com/myjoolz) или обратитесь к продавцу для решения любых вопросов и (или) оставления комментариев.

## **OSTRZEŻENIE**

- + Fotelik jest przeznaczony dla dzieci w wieku od 6 miesięcy do 4 lat, LUB o maksymalnej wadze ciała 22 kg w pozycji górnej i 15 kg w pozycji dolnej, o maksymalnym wzroście 100 cm. Fotelik nie nadaje się dla dzieci, które spełniają co najmniej jedno z powyższych kryteriów.
- + Fotelik nie jest odpowiednie dla dzieci w wieku poniżej 6 miesięcy.
- + Nosidło jest przeznaczone wyłącznie dla dzieci, które nie potrafią samodzielnie siadać, przekręcać się i podnosić się do góry na rękach i kolanach. Maksymalna waga dziecka: 9 kg.
- + Ten produkt nie jest odpowiedni do biegania ani do jazdy na rolkach.
- + Nigdy nie zostawiaj dziecka bez opieki.
- + Aby uniknąć obrażeń, należy upewnić się, że dziecko nie znajduje się w pobliżu produktu podczas jego składania i rozkładania.
- + Podczas składania lub rozkładania wózka spacerowego/gondolowego istnieje ryzyko zgniecenia palca. Należy zachować należyłą ostrożność.
- + Należy zapobiegać poważnym urazom mogącym wystąpić w wyniku wypadnięcia lub wyślizgnięcia. Zawsze należy używać systemu zabezpieczającego.
- + Przed rozpoczęciem użytkowania należy sprawdzić, czy wszystkie zamocowania zostały założone prawidłowo.
- + Przed użyciem należy sprawdzić, czy gondola, siedzisko lub urządzenie mocujące foteliki samochodowe są odpowiednio przypięte.
- + Gondola i fotelik samochodowy Joolz Geo<sup>3</sup> pasują wyłącznie do podwozia Joolz Geo<sup>3</sup> i odwrotnie.
- + Wszelkie obciążenie zamocowane do drążka i/lub z tyłu oparcia, i/lub po bokach wózka będą mieć wpływ na jego stabilność.
- + Paczki i/lub akcesoria zamocowane do wózka mogą spowodować jego utratę stabilności. Nadmierne obciążenie może spowodować niebezpieczną utratę stabilności.
- + W gondoli lub siedzisku może znajdować się tylko jedno dziecko.
- + Należy używać wyłącznie fotelików samochodowych, części zamiennych i akcesoriów dostarczonych lub zatwierdzonych przez Joolz.
- + Nie używać żadnych poduszek, podkładek lub dodatkowych materacy, które nie zostały dostarczone lub zatwierdzone przez firmę Joolz.
- + Foteliki samochodowe używane z podwoziem nie zastępują gondoli lub łóżeczka. Jeżeli dziecko będzie spać, należy je położyć w odpowiednim łóżeczku, gondoli lub części zatwierdzonej do spania, w zależności od potrzeb dziecka.
- + Podwozie, gondola, siedzisko i akcesoria wózka należy regularnie sprawdzać pod kątem oznak uszkodzeń i zużycia.
- + Nie należy używać wózka, jeżeli jakiegokolwiek jego części są uszkodzone, podarte lub zaginęły.



- + Składając wózek, należy zawsze zabezpieczać przednie koła blokadą obrotową. W przeciwnym razie opony kół mogą ulec odkształceniu, szczególnie w wysokich temperaturach.
- + Podczas wkładania lub wyjmowania dziecka z wózka należy zawsze zaciągnąć hamulce.
- + Podczas blokowania hamulca upewnić się, że jego pedał został całkowicie wciśnięty.
- + Maksymalny ciężar koszyka na zakupy wynosi 15 kg.
- + Upewnić się, że dziecko nie będzie się wspinać na wózek.
- + Dziecko nie powinno bawić się produktem.

## **OSTRZEŻENIE** **DOTYCZY GONDOLI**

- + Gondola Joolz Geo<sup>3</sup> jest przeznaczona wyłącznie dla dzieci, które nie potrafią samodzielnie siadać, przekręcać się i podnosić się do góry na rękach i kolanach. Maksymalna waga dziecka: 9 kg.
- + Nigdy nie zostawiaj dziecka bez opieki.
- + Produkt jest przeznaczony wyłącznie dla dzieci, które nie potrafią samodzielnie siadać.
- + Należy używać wyłącznie na stabilnej, poziomej i suchej powierzchni.
- + Inne dzieci nie powinny bawić się bez opieki w pobliżu gondoli.
- + Nie używać, jeśli jakkolwiek część gondoli jest uszkodzona, połamana, rozerwana lub została zagubiona.
- + Należy używać wyłącznie części zamiennych i akcesoriów dostarczonych lub zatwierdzonych przez Joolz.
- + Należy używać wyłącznie materaca Joolz. Nie wkładać dodatkowego materaca na materac Joolz.
- + Produkt Joolz Geo<sup>3</sup> należy przechowywać z dala od otwartego ognia i innych źródeł ciepła.
- + Należy systematycznie sprawdzać, czy uchwyt i dno gondoli nie uległy uszkodzeniu lub zużyciu.
- + Przed użyciem gondoli należy zawsze sprawdzić, czy pałąk został założony prawidłowo.
- + Główka dziecka w gondoli nigdy nie powinna znajdować się niżej niż tułów.
- + Przegrzewanie może zagrażać życiu Twojego dziecka! Należy uwzględnić temperaturę otoczenia oraz ubiór dziecka i upewnić się, że dziecku nie jest ani za zimno, ani za ciepło.

### **DO UŻYWANIA PRODUKTU JAKO ŁÓŻECZKA**

Ten produkt jest przeznaczony dla niemowląt, od urodzenia do 6 miesięcy, 9 kg lub dopóki nie będą w stanie siedzieć samodzielnie bądź podciągając się albo podnieść się na rękach i kolanach. EN 1130: 2019 & EN 16890: 2021

## **OSTRZEŻENIE!**

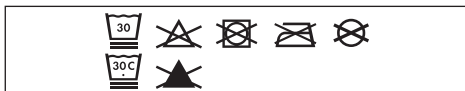
- + Przed pierwszym użyciem tego produktu przeczytać instrukcję.
- + Zaprześcić używania tego produktu, gdy tylko dziecko będzie mogło usiąść lub uklęknąć bądź się podciągnąć. Od tego momentu należy korzystać z dolnej pozycji.
- + Umieszczenie dodatkowych elementów w produkcie może spowodować zadławienie dziecka.
- + Nie umieszczać produktu w pobliżu innego produktu, który może stwarzać niebezpieczeństwo uduszenia lub zadławienie, np. sznurków, sznurów do żaluzji/zastłon, itp.
- + Nie używać więcej niż jednego materaca w łóżeczku (łóżeczku i łóżeczku podwieszanym).
- + Używać tylko materaca sprzedawanego z tym łóżeczkiem, nie dodawać do niego drugiego materaca, gdyż grozi to zadławieniem dziecka.

## **DODATKOWE INFORMACJE**

- + Produkt ustawić na poziomej podłodze.
- + W pobliżu łóżeczka dzieci nie mogą bawić się bez nadzoru.
- + Gdy dziecko pozostaje bez opieki, łóżeczko powinno być zablokowane w stałym położeniu.
- + Zagrożenie zadławieniem: Wszystkie łączniki montażowe powinny być zawsze odpowiednio dokręcone i należy uważać, aby nie było obluźowanych wkrętów, ponieważ może dojść do uwięzienia części ciała lub ubrania dziecka (np. sznurków, naszyjników, wstążek smoczka dziecka, itp.).
- + Maksymalna grubość materaca: 30 mm.
- + **NIE** używać łóżeczka, jeżeli brakuje w nim jakichkolwiek części, są one uszkodzone lub złamane. W razie potrzeby skontaktować się z firmą Joolz w sprawie części zamiennych i materiałów instruktażowych. Nie montować części zastępczych..
- + Pamiętać o zagrożeniu stwarzanym przez otwarty ogień i inne źródła wysokich temperatur, takie jak pożary grzejników elektrycznych, piecyków gazowych, itp., znajdujących się w bliskim sąsiedztwie łóżeczka (łóżeczka lub łóżeczka podwieszanego).
- + Nierówne powierzchnie mogą powodować niestabilność produktu.

## INSTRUKCJA KONSERWACJI/ CZYSZCZENIA

Tkaninę można odpiąć i prać w pralce. Przepłukać czystą wodą i pozostawić do wyschnięcia. Nie wolno stosować wybielaczy ani innych chemicznych detergentów. Aby wózek poruszał się płynnie, okresowo (w przybliżeniu raz na miesiąc) smarować koła i metalowe części teflonem lub silikonem w sprayu.



Aluminiowe części wózka spacerowego Geo<sup>3</sup> są malowane, co chroni je przed wpływem czynników zewnętrznych, np. korozją. Malowane części są podatne na działanie kwasowych środków czyszczących lub smaru, które mogą spowodować plamy i odbarwienie aluminiowych części. Z tego względu zalecamy czyszczenie aluminiowych części wózka ciepłą wodą z mydłem i miękką szmatką.

W całym procesie projektowania i produkcji wózka Joolz Geo<sup>3</sup> przywiązywano najwyższą wagę do bezpieczeństwa. Dlatego nasze produkty spełniają wymagania następujących norm bezpieczeństwa:

Europe:  
EN1888-2:2018 & EN 1466:2014/AC:2015  
United States:  
ASTM F833-2I, ASTM F2050-19  
Canada: SOR/2016-167  
Australia: AS/NZS 2088:2013

Aby uzyskać odpowiedzi na pytania lub przedstawić swoje uwagi odwiedź naszą stronę internetową [joolz.com](http://joolz.com), [facebook.com/myjoolz](https://facebook.com/myjoolz) lub skontaktuj się ze sprzedawcą produktu.

## ПОПЕРЕДЖЕННЯ

- + Сидіння призначене для дітей віком від 6 місяців до 4 років АБО вагою не більше 22 кг у верхньому положенні та не більше 15 кг у нижньому положенні при зрості не вище 100 см, залежно від того, яке з обмежень буде досягнуто першим.
- + Це сидіння не підходить для дітей віком до 6 місяців.
- + Колиска підходить лише для дітей, які не можуть сидіти самостійно, перекочуватися, а також відштовхуватися на руках і колінах. Максимальна вага дитини: 9 кг
- + Не використовуйте цей виріб під час бігу або катання на ковзанах.
- + Ніколи не залишайте свою дитину без нагляду.
- + Щоб уникнути травм при регулюванні, розкладанні і складанні виробу, переконайтеся в тому, що дитина (діти) не знаходиться поблизу нього.
- + При складанні або розкладанні багатофункціонального дитячого візка/прогулянкового дитячого візка дотримуйтеся обережності, щоб не затиснуло пальці. Слід дотримуватися належної обережності.
- + Не допускайте серйозних травм внаслідок випадання або вислизання дитини з візка. Завжди використовуйте систему фіксації.
- + Перед використанням переконайтеся, що всі запірні пристрої закріплені.
- + Перед використанням переконайтеся, що колиска, сидіння або автокрісло закріплено належним чином.
- + Колиска та сидіння Joolz Geo<sup>3</sup> сумісні тільки з шасі Joolz Geo<sup>3</sup> і навпаки.
- + Будь-який вантаж, прикріплений до рукоятки і (або) до задньої частини спинки і (або) з боків візка, буде впливати на його стійкість.
- + Розміщені на виробі речі, додаткові приладдя або, і те й інше можуть зробити виріб нестійким. Надмірна вага може створити небезпечні нестійкі умови.
- + У колисці або автокріслі можна одночасно перевозити тільки одну дитину.
- + Використовуйте тільки ті автокрісла, змінні або запасні частини та приладдя, які поставляються або схвалені компанією Joolz.
- + Не використовуйте для підкладання подушку, ковдру або додатковий матрац, які не поставляються або не схвалені компанією Joolz.
- + Автокрісла, які використовуються в поєднанні з шасі, не можуть замінити собою люльку або ліжко. Якщо вашій дитині потрібно поспати, її слід помістити в відповідне дитяче ліжечко, ліжко або належну спальну зону, обладнану відповідно до потреб вашої дитини.
- + Регулярно перевіряйте шасі візка, колиска, сидіння та приладдя ознаки пошкодження та зносу.
- + Не використовуйте візок, якщо будь-яка з його частин пошкоджена, зношена або відсутня.

- + Перед складанням візка завжди застосовуйте поворотний замок для передніх коліс. Недотримання цього правила може призвести до деформації шин, особливо в умовах жаркого клімату.
- + Коли ви кладете дитину в візок або виймаєте її з нього, обов'язково фіксуйте колеса гальмом.
- + При застосуванні гальма переконайтеся, що педаль гальма повністю натиснута.
- + Максимальна вага кошика для покупок становить 15 кг/33 фунтів
- + Слідкуйте за тим, щоб діти не залазили в коляску.
- + Не дозволяйте дитині (дітям) грати з цим виробом.

## ПОПЕРЕДЖЕННЯ ВИКОРИСТАННЯ КОЛИСКИ

- + Коляска Joolz Geo<sup>3</sup> підходить лише для дітей, які не можуть сидіти самостійно, перекочуватися, а також відштовхуватися на руках і колінах. Максимальна вага дитини: 9 кг
- + Ніколи не залишайте свою дитину без нагляду.
- + Цей виріб призначено лише для дітей, які не можуть сидіти самостійно.
- + Використовуйте тільки на стабільній твердій, горизонтальній і сухій поверхні.
- + Не дозволяйте іншим дітям грати без нагляду поруч із коляскою.
- + Не використовуйте коляску, якщо будь-яка її частина пошкоджена або відсутня.
- + Використовуйте тільки змінні або запасні частини та приладдя, які постачаються або схвалено компанією Joolz.
- + Використовуйте лише матрац, наданий компанією Joolz. Не кладіть додатковий матрац поверх матрацу Joolz.
- + Не розміщуйте вироби Joolz Geo<sup>3</sup> біля відкритого вогню та джерел тепла.
- + Ручки та дно коляски слід регулярно перевіряти на наявність пошкоджень і зносу.
- + Перед використанням завжди перевіряйте, чи правильно з'єднано буферний брус із блоками ліжка/сидіння.
- + Голова дитини в колясці ніколи не повинна бути нижче її тіла.
- + Перегрів може становити загрозу життю дитини! Ураховуйте температуру повітря та одяг дитини. Дитині не повинно бути ні надто тепло, ні надто холодно.

## ДЛЯ ВИКОРИСТАННЯ ВИРОБУ ЯК ЛІЖЕЧКА

Цей виріб було розроблене для немовлят, з народження до 6 місяців, 9 кг або до тих пір, поки вони не зможуть сидіти без сторонньої допомоги, підтягуватися або підніматися на ручки і коліна.  
EN 1130: 2019 & EN 16890: 2021

## ПОПЕРЕДЖЕННЯ

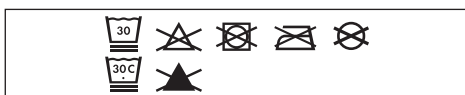
- + Не використовуйте цей виріб без попереднього ознайомлення з інструкцією по використанню.
- + Припиніть використання виробу, щойно дитина зможе сидати, вставати на коліна або підтягуватися. В такому випадку слід використовувати нижнє положення.
- + Розміщення додаткових предметів у виробі може викликати ризик удушення.
- + Не ставте поруч з іншими виробами, які можуть становити небезпеку удушення, наприклад, мотузки, шнури жалюзі або штор тощо.
- + Не використовуйте більше одного матраца у виробі (дитячому ліжечку або підвісному ліжечку).
- + Використовуйте тільки матрац, який продається з цим ліжечком, не додавайте другий матрац, це може привести до удушення.

## ДОДАТКОВА ІНФОРМАЦІЯ:

- + Виріб має бути розміщено на горизонтальній підлозі.
- + Дітям забороняється грати без нагляду в безпосередній близькості від дитячого ліжечка.
- + Дитяче ліжко має бути закрите і зафіксоване, коли дитина залишається без нагляду.
- + Ризик задушення: вся складальна фурнітура завжди повинна бути надійно затягнута, також слід стежити за тим, щоб не було ослаблених гвинтів, тому що дитина може зачепитися за них частинами тіла або предметами одягу (наприклад, зав'язками, намистами, стрічками для пустишок тощо).
- + Максимальна товщина матраца: 30 мм.
- + НЕ використовуйте ліжечко, якщо будь-які деталі відсутні, пошкоджені або зламані. У разі потреби зв'яжіться з Joolz для отримання запасних частин і інструкцій з використання. Не замініуйте деталі.
- + Пам'ятайте про небезпеку відкритого вогню та інших джерел сильного тепла, таких як електричні спіральні обігрівачі, газові обігрівачі тощо, у безпосередній близькості від ліжечка (дитячого ліжечка або підвісного ліжечка).
- + Нерівні поверхні можуть спричинити нестабільність виробу.

## ІНСТРУКЦІЯ З ТЕХНІЧНОГО ОБСЛУГОВУВАННЯ/ЧИЩЕННЯ

Тканини знімаються і праються в пральній машині. Прополощіть чистою водою і залиште до повного висихання. Ніколи не використовуйте відбілювач або інші хімічні мийні засоби. Періодично (приблизно раз на місяць) бробрляйте колеса і металеві деталі тефлоновою або силіконовою змазкою для забезпечення тривалої безвідмовної експлуатації візка.



Алюмінієві деталі візка Geo<sup>3</sup> мають захисне покриття від зовнішніх впливів, таких як корозія. Не рекомендується проводити обробку алюмінієвих деталей із захисним покриттям кислотними миючими засобами або мастилом, так як це може привести до появи плям і зміни їх кольору. Тому ми рекомендуємо очищати алюмінієві деталі візка за допомогою теплої води і м'якої тканини.

При розробці візка Joolz Geo<sup>3</sup> безпека завжди була пріоритетним завданням. Тому наші продукти відповідають таким стандартам безпеки:

Europe:  
ENI888-2:2018 & EN I466:2014/AC:2015  
United States:  
ASTM F833-21, ASTM F2050-19  
Canada: SOR/2016-167  
Australia: AS/NZS 2088:2013

Відвідайте [joolz.com](http://joolz.com), [facebook.com/myjoolz](https://www.facebook.com/myjoolz) або зверніться до продавця для вирішення будь-яких питань і (або) залишення коментарів.

## HOIATUS

- + See iste on mõeldud lastele alates 6. elukuust kuni 4. eluaastani VÕI maksimaalse kaaluga 22 kg ülemises asendis ja 15 kg alumises asendis ning maksimaalse pikkusega 100 cm, olenevalt sellest, kumb saabub varem.
- + See iste ei sobi alla 6-kuustele lastele.
- + See kookon sobib ainult lapsele, kes ei suuda abita istuda, pöörata ega end kätele või põlvedele püsti ajada. Lapse maksimaalne kehakaal: 9 kg/20 naela.
- + See toode ei sobi jooksmiseks või rulluisutamiseks.
- + Ärge jätke last kunagi järelevalveta.
- + Vigastuste vältimiseks veenduge, et laps/lapsed oleksid toote reguleerimise, lahtitõmbamise ja kokkupaneku ajal eemal.
- + Jälgige jalutuskäru lahtitõmbamise ja kokkupaneku ajal, et sõrmed ei jääks osade vahele. Olge piisavalt ettevaatlik.
- + Vältige väljakukkumisest või väljalibisemisest tingitud raskeid vigastusi. Kasutage alati kinnitussüsteemi.
- + Veenduge enne kasutamist, et kõik lukustusvahendid oleksid rakendatud.
- + Kontrollige enne kasutamist, kas kookoni, istme või turvatooli kinnitusseadmed on korralikult kinnitatud.
- + Joolz Geo<sup>3</sup> kookon ja iste ühilduvad ainult Joolz Geo<sup>3</sup> raamiga ja vastupidi.
- + Igasugune liikumisvahendi käepideme, seljatoe ja/või külge külge asetatud raskus mõjutab selle stabiilsust.
- + Tootele asetatud pakid, lisatarvikud või mõlemad koos võivad muuta toote ebastabiilseks. Liigne kaal võib põhjustada ohtlikult ebastabiilse olukorra.
- + Kookonisse või istmele tohib korraga panna ainult ühe lapse.
- + Kasutage ainult Joolzi tarnitud või soovitatud turvatoole, asendus- või varuosi ja tarvikuid.
- + Ärge kasutage pehmeduseks mingeid patju, tekke ega lisamadratsid, mis ei ole Joolzi poolt tarnitud ega heaks kiidetud.
- + Turvatool ei asenda jalutuskäru raamil kasutamisel kookonit ega korvi. Kui lapsel on uneaeg, tuleks ta panna sobivasse hälli, voodisse või sobivasse magamiskohta vastavalt teie lapse vajadustele.
- + Kontrollige korrapäraselt jalutuskäru raami, kookonit, istet ja tarvikuid, et märgata kahjustuste ja rebenemise märke.
- + Ärge kasutage jalutuskäru, kui mõni selle osa on kahjustatud, rebenenud või puudu.
- + Enne jalutuskäru kokkupanemist tuleb alati esirattad pööratava luku abil lukustada. Muidu võite põhjustada rehvide deformeerumise, eriti soojas keskkonnas.



- + Lapse kärsse asetamisel ja sealt väljavõtmisel peavad pidurid olema alati peal.
- + Veenduge, et piduripedaal oleks piduri rakendamisel täielikult haardunud.
- + Ostukorvi maksimaalne kaal on 15 kg/33 naela.
- + Hoolitsege selle eest, et lapsed ei roniks jalutuskärsesse.
- + Ärge lubage lapsel/lastel selle tootega mängida.

## HOIATUS

### KOOKON

- + Kookon Joolz Geo<sup>3</sup> sobib ainult lapsele, kes ei suuda abita istuda, pöörata ega end kätele või põlvedele püsti ajada. Lapse maksimaalne kehakaal: 9 kg/20 naela.
- + Ärge jätke last kunagi järelevalveta.
- + See toode sobib ainult lapsele, kes ei suuda abita istuda.
- + Kasutage ainult tugeval ja horisontaalsel kuival tasapinnal.
- + Ärge lubage teistel lastel kookoni lähedal järelevalveta mängida.
- + Ärge kasutage kookonit, kui mingi selle osa on kahjustatud, purunenud, rebenenud või puudu.
- + Kasutage ainult Joolzi tarnitud või heaks kiidetud asendus- või varuosi ja tarvikuid.
- + Kasutage ainult Joolzi madratsit. Ärge pange Joolzi madratsile lisamadratsit.
- + Hoidke Joolz Geo<sup>3</sup> eemal lahtisest tulest ja muudest soojaallikatest.
- + Kontrollige korrapäraselt, kas kookoni sangadel või põhjal on kahjustusi või kulumismärke.
- + Enne kasutamist veenduge alati, et turvakaar oleks korralikult kookoni külge kinnitatud.
- + Kookonis oleva lapse pea ei tohi olla kunagi kehast madalamal.
- + Ülekuumenemine võib olla teie lapsele eluohtlik! Võtke arvesse keskkonnatemperatuuri ja lapse rõivastust ning veenduge, et lapsel ei ole liiga külm ega palav.

### TOOTE KASUTAMISEKS VÕREVOODINA.

Toode on ette nähtud imikutele, alates sünnist kuni 6. elukuuni, kaaluni 9 kg või kui laps on võimeline ise istuma, end üles tõmbama või suuteline end upitama kätele ja põlvedele. EN I130: 2019 & EN I6890: 2021

## HOIATUS

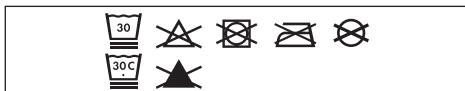
- + Ärge kasutage toodet ilma eelnevalt juhiseid lugemata.
- + Lõpetage toote kasutamine niipea, kui laps on võimeline ise istuma, end üles tõmbama või suuteline end upitama kätele ja põlvedele. Seejärel tuleks kasutada madalamat asendit.
- + Täiendavate esemete tootesse asetamine võib põhjustada lämbumist.
- + Ärge asetage toodet teise esemete lähedale, mis võib põhjustada lämbumist või lämbumisohtu, nt nõõrid, aknaeesriie / kardinad vms.
- + Ärge kasutage tootes, lastevoodis (võrevoodis ja rippähälls), enam kui ühte madratsit.
- + Kasutage ainult madratsit, mis müüdi koos võrevoodiga, ja ärge lisage sellele teisi madratseid – lämbumisoht.

## TÄIENDAV TEAVE

- + Toode tuleb asetada horisontaalsele põrandale.
- + Lapsed ei tohi järelevalveta võrevoodi läheduses mängida.
- + Võrevoodi peab olema lukustatud fikseeritud asendisse, kui laps jäetakse järelevalveta.
- + Lämpumisoht: Kõiki kokkupanemistarvikuid tuleb alati korralikult pingutada ja hoolitseda selle eest, et kruvid ei oleks lahti, sest laps võib kas oma kehasade või riietega nende külge kinni jääda (nt paelad, kaelakeed, lutinöörid jne).
- + Madratsi maks. paksus: 30 mm.
- + ÄRGE kasutage võrevoodit, kui osad on puudu, kahjustatud või purunenud. Vajadusel pöörduge varuosade ja juhendmaterjalide saamiseks Joolz poole. Ärge osi asendage.
- + Teadvustage ohtusid, mis kaasnevad lastevoodis (võrevoodi ja rippähälli) lähedal paikneva lahtise tule ja muude tugevate kuumaallikatega nagu elektri- ja gaasikaminad jmt.
- + Ebaühtlased pinnad võivad põhjustada toote ebastabiilsust.

## HOOLDUS-/PESEMISSUUNISED

Kangad on eemaldatavad ja masinas pestavad. Loputage puhta veega ja jätke kuivama. Ärge kasutage kunagi pleegiteid ga muid keemilisi puhastusvahendeid. Pihustage ratastele ja metallosadele korrapäraselt (umbes kord kuus) teflon- või silikoonpihust, et tagada jalutuskäru sujuv liikumine.



Teie Geo<sup>3</sup>i jalutuskäru alumiiniumosad on töödeldud, et kaitsta neid välistõrjumuste eest, nagu näiteks korrosioon. Happelised puhastusvahendid või määrdeid võivad töödeldud alumiiniumosi kahjustada, põhjustades plekkide teket ja värvimuutust. Seetõttu soovime puhastada jalutuskäru alumiiniumosi ooja vee ja pehme lapiga.

Ohutus on olnud kogu Joolz Geo<sup>3</sup> i jalutuskäru arendusprotsessi jooksul väga oluline aspekt. Seetõttu vastavad meie tooted järgmistele ohutusstandarditele:

Europe:  
ENI888-2:2018 & EN 1466:2014/AC:2015  
United States:  
ASTM F833-2I, ASTM F2050-19  
Canada: SOR/2016-167  
Australia: AS/NZS 2088:2013

Küsimuste ja/või kommentaaride korral külastage veebisaiti [joolz.com](http://joolz.com) või [facebook.com/myjoolz](https://www.facebook.com/myjoolz) või võtke ühendust edasimüüjaga.

## BRĪDINĀJUMS

- + Sēdekļa bloks ir paredzēts bērniem vecumā no 6 mēnešiem līdz 4 gadiem VAI ar svaru līdz 22 kg augšējā pozīcijā un 15 kg apakšējā pozīcijā un garumu līdz 100 cm atkarībā no tā, kurš no šiem nosacījumiem izpildās pirmais.
- + Šis sēdekļa bloks nav piemērots bērniem, kas jaunāki par 6 mēnešiem.
- + Ratu kulbiņa ir piemērota tikai bērnam, kas neprot patstāvīgi sēdēt, velties un pats atbalstīties uz rokām un ceļiem. Maksimālais bērna svars: 9 kg.
- + Šis izstrādājums nav piemērots skriešanai vai slidošanai.
- + Nekad neatstājiet bērnu bez uzraudzības.
- + Lai izvairītos no traumām, nodrošiniet, lai šī izstrādājuma pielāgošanas, atlocīšanas un salocīšanas laikā bērns(-i) neatrastos tā tuvumā.
- + Salokot un atlokot ratiņus, raugieties, lai nesaspiestu pirkstus. Jābūt uzmanīgam.
- + Izvairieties no nopietnām traumām, ko izraisa kritiens vai izslidēšana. Vienmēr izmantojiet ierobežotājsistēmu.
- + Pirms lietošanas pārlicinieties, vai visas fiksācijas ierīces ir saslēgtas.
- + Pirms lietošanas pārbaudiet, vai ratu kulbiņas, sēžamās daļas vai autokrēsliņa stiprināšanas ierīces ir pareizi piestiprinātas.
- + Joolz Geo<sup>3</sup> ratu kulbiņa un sēžamā daļa ir saderīga tikai ar Joolz Geo<sup>3</sup> rāmi un otrādi.
- + Jebkurš ratiņu rokturim un/ vai muguras balstam un/vai sāniem piestiprinātais svars ietekmē ratiņu stabilitāti.
- + Novietojot uz ratiņiem saiņus vai citus piederumus, ratiņi var kļūt nestabili. Pārmērīgs svars var izraisīt bīstamu nestabilitāti.
- + Ratu kulbiņu vai sēžamo daļu var izmantot vienlaicīgi tikai vienam bērnam.
- + Izmantojiet tikai Joolz piegādātus vai apstiprinātus bērnu autosēdekļiņus, rezerves daļas un piederumus.
- + Iekļājiet tikai Joolz piegādātus vai apstiprinātus spilvenus, segas vai papildmatračus.
- + Autosēdekļītis, ko izmanto kopā ar bērnu ratiņu rāmi, neaizstāj gulvietu vai gultu. Ja bērnam ir laiks gulēt, guldiet viņu piemērotā gultiņā, gultā vai apstiprinātā gulvietā atbilstoši bērna vajadzībām.
- + Regulāri pārbaudiet ratiņu rāmi, kulbiņu, sēžamo daļu un piederumus, vai tajos nav bojājumu un plīsumu pazīmes.
- + Neizmantojiet bērnu ratiņus, ja kāda to daļa ir bojāta, saplīsumi vai pazudusi.
- + Salokot bērnu ratiņus, priekšējiem riteņiem vienmēr izmantojiet pagriežamo bloķētāju. Pretējā gadījumā var notikt riepu deformācija, it īpaši karstā vidē.
- + Ieliekot un izņemot bērnus, bremzēm vienmēr jābūt ieslēgtām.
- + Izmantojot bremzes, pārlicinieties, vai bremžu pedālis ir pilnīgi iedarbināts.

- + Iepirkumu groza maksimālais svars ir 15 kg.
- + Nodrošiniet, lai bērni nekāptu ratiņos.
- + Neļaujiet bērnam(-iem) spēlēties ar šo izstrādājumu.

## **BRĪDINĀJUMS**

### **RATU KULBIŅA**

- + Joolz Geo<sup>3</sup> ratu kulbiņa ir piemērota tikai bērnam, kurš neprot patstāvīgi sēdēt, velties un atbalstīties uz rokām un ceļiem. Maksimālais bērna svars: 9 kg.
- + Nekad neatstājiet bērnu bez uzraudzības.
- + Šis izstrādājums ir piemērots tikai bērnam, kurš neprot patstāvīgi sēdēt.
- + Izmantojiet tikai uz stingras, horizontālas, līdzenas un sausas virsmas.
- + Neļaujiet citiem bērniem spēlēties ratu kulbiņas tuvumā bez uzraudzības.
- + Nelietojiet, ja kāda ratu kulbiņas daļa ir bojāta, salauzta, saplēsta vai pazudusi.
- + Izmantojiet tikai rezerves daļas un piederumus, kurus piegādā vai kurus ir apstiprinājis Joolz.
- + Izmantojiet tikai Joolz matraci. Nelieciet papildu matraci uz Joolz matrača.
- + Sargājiet Joolz Geo<sup>3</sup> no atklātas uguns un citiem siltuma avotiem.
- + Regulāri pārbaudiet ratu kulbiņas rokturus un apakšējo daļu, vai tajā nav bojājumu un nodiluma pazīmes.

- + Vienmēr pirms lietošanas pārlicinieties, vai amortizatora stienis ir pareizi piestiprināts pie ratu kulbiņas.
- + Bērna galva ratu kulbiņā nedrīkst atrasties zemāk par bērna ķermeni.
- + Pārkaršana var apdraudēt jūsu bērna dzīvību! Ņemiet vērā gaisa temperatūru un bērna apģērbu un pārlicinieties, ka bērnam nav pārāk auksti vai pārāk silti.

### **PAR PRODUKTA LIETOŠANU KĀ GULTIŅU.**

Produkts paredzēts zīdaiņiem no dzimšanas līdz 6 mēnešu vecumam, kas sver 9 kg vai vairāk bērns spēj sēdēt pats, pievilkties vai spēj iegrimt rokās un ceļos. EN 1130: 2019 un EN 16890: 2021

## BRĪDINĀJUMS!

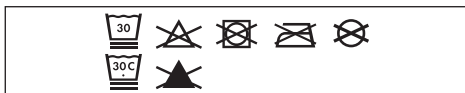
- + Neizmantojiet produktu bez vispirms neizlasot instrukcijas.
- + Pārtrauciet produkta lietošanu tiklīdz bērns spēj pie sevis sēsties, pievilkties vai spēj uzlikt rokas uz rokām un paaudzes. Pēc tam to vajadzētu lietot zemāka pozīcija.
- + Papildu preces produktā novietošana var izraisīt nosmakšana.
- + Nepārvietojiet izstrādājumu tuvu objektiem, kas var izraisīt nosmakšanu vai nosmakšanas risks, piemēram, auklas, logu pārsegumi/ aizkari utt.
- + Nelietot izstrādājumā, bērnu gultiņā (gultiņa un šūpulis), vairāk nekā viens matracis.
- + Izmantojiet tikai tādu matraci, kas pārdod ar bērnu gultiņu, un nav pievienojiet tam citus matračus - nosmakšanas risks.

## PAPILDUS INFORMĀCIJA

- + Produkts jānovieto horizontāli uz grīdu.
- + Bērņus nedrīkst ielaist bērnu gultiņā bez uzraudzības spēlēt tuvumā.
- + Bērnu gultiņai jābūt fiksētai aizslēgtai stāvoklī, ja bērns tiek atstāts bez uzraudzības.
- + Aizrīšanās risks: visiem montāžas piederumiem vienmēr jābūt pareizi pievilktiem un koptiem lai skrūves netiktu vaļā, kā bērns var vai nu ar savām ķermeņa daļām, vai pie tām piestiprinātām drēbēm pieķerties (piemēram, lentes, kaklarotas, štopes utt.).
- + Matracis maks. biezums: 30 mm.
- + **NELIETOJĒT** bērnu gultiņu ar detaļām pazudis, bojāts vai salauzts. Ja nepieciešams skatiet rezerves daļas un instrukciju materiālus lai tiktu uz Joolz ballīti. Nenomainiet detaļas.
- + Esiet informēts par ar to saistītajām briesmām netālu no gultiņas (gultiņa un šūpulis) atklāta uguns un citi spēcīgi siltuma avoti, piemēram, elektriskie un gāzes kamīni jmt.
- + Nelīdzenas virsmas var izraisīt produkta nestabilitāte.

## INSTRUKCIJAS PAR APKOPI/ MAZGĀŠANU

Audumi ir noņemami un mazgājami veļasmašīnā. Noskalojiet ar ūdeni un atstājiet nožūt. Nekad nelietojiet balinātāju vai citus ķīmiskus mazgāšanas līdzekļus. Riteņus un metāla daļas regulāri apmēram reizi mēnesī) apstrādājiet ar teflona vai silikona Geo<sup>3</sup> osolu, lai bērnu ratiņi pastāvīgi darbotos nevainojami.



Geo<sup>3</sup> bērnu ratiņiem ir pārklājums aizsardzībai pret ārēju ietekmi, piemēram, koroziju. Pārklātas alumīnija daļas ir jutīgas pret skābu tīrīšanas līdzekļu vai smērvielu iedarbību, kas var veidot traipus uz alumīnija daļām un izraisīt to krāsas maiņu. Tāpēc bērnu ratiņu alumīnija daļas ieteicams tīrīt ar siltu ūdeni un mīkstu drānu.

Drošība ir svarīgs apsvērum visā Joolz Geo<sup>3</sup> bērnu ratiņu izstrādes laikā. Tāpēc mūsu produktu izstrādē ir ievēroti augstākie drošības standarti:

Europe:  
EN1888-2:2018 & EN 1466:2014/AC:2015  
United States:  
ASTM F833-2I, ASTM F2050-19  
Canada: SOR/2016-167  
Australia: AS/NZS 2088:2013

Ja jums ir jautājumi un/vai komentāri, lūdzu, apmeklējiet vietni [joolz.com](http://joolz.com), [facebook.com/myjoolz](https://facebook.com/myjoolz) vai sazinieties ar mazumtirgotāju.

# LIETUVIŠKAI

## ĮSPĖJIMAS

- + Sėdynė yra skirta vaikams nuo 6 mėnesių iki 4 metų, ARBA iki ne daugiau kaip 22 kg svorio viršutinėje padėtyje ir 15 kg svorio apatinėje padėtyje, o didžiausias ūgis – 100 cm, atsižvelgiant į tai, kas nutinka pirmiau.
- + Ši kėdutė netinka jaunesniems negu 6 mėnesių vaikams.
- + Lopšys tinkamas tik tokiam vaikui, kuris negali atsistoti be pagalbos, apsiversti ir negali atsistoti remdamasis rankomis ir keliais. Didžiausias vaiko svoris: 9 kg/20 sv.
- + Gaminys netinka bėgimui ar čiuožimui.
- + Niekada nepalikite vaiko be priežiūros.
- + Kad išvengtumėte sužalojimo, įsitikinkite, kad kai sulankstote, išlankstote arba reguliuojate gaminį, šalia nėra vaiko/vaikų.
- + Sulankstydami/išlankstydami vežimėlį/vaikštynę, saugokitės, kad nepripaustumėte pirštų. Reikia būti atsargiems.
- + Saugokitės susižalojimų nukritus ar išslydus. Visada naudokite tvirtinimo sistemą.
- + Prieš pradėdami naudoti įsitikinkite, kad užfiksuoti visi fiksavimo prietaisai.
- + Prieš naudodami lopšį, patikrinkite, ar tinkamai pritvirtinta kėdutė arba automobilinės kėdutės tvirtinimo įtaisai
- + „Joolz Geo<sup>3</sup>“ lopšys ir kėdutė yra suderinami tik su „Joolz Geo<sup>3</sup>“ važiuko ir atvirkščiai.
- + Bet koks svoris ant rankenos ir (arba) nugaros atlošo ir (arba) šonų gali daryti įtaką stabilumui.
- + Nešuliai arba priedai kartu ar atskirai uždėti ant gaminio gali pakenkti jo stabilumui. Per didelis svoris gali sukelti pavojingas situacijas, kai prarandamas stabilumas.
- + Vienu metu lopšyje arba kėdutėje gali būti tik vienas vaikas
- + Naudokite tik „Joolz“ tiekiamas ir patvirtintas automobilio kėdutes, pakaitines dalis ir priedus.
- + Nenaudokite pagalvių, antklodžių ar papildomų čiužinukų, kurių nepatvirtino ir netiekia „Joolz“.
- + Automobilio kėdutės, naudojamos kartu su rėmu, nepakeičia lopšio arba lovelės. Jei vaikui reikia miegoti, jį reikia guldyti į tinkamą lopšį, lovelę ar patvirtintą miegojimui skirtą vietą pagal vaiko poreikius.
- + Reguliariai tikrinkite vežimėlio važiuklę, lopšį, kėdutę ir priedus, ar nėra apgadinimų ar įplyšimų.
- + Nenaudokite vežimėlio, jei pažeistos, suplėšytos jo dalys arba jų trūksta.
- + Kai lankstote vežimėlį, visada priekiniams ratukams naudokite pasukamąjį užraktą. Jei to nepadarysite, gali būti pažeistos padangos, kurios gali deformuotis, ypač esant aukštai temperatūrai.
- + Stabdžiai visada turėtų būti nuspausti, kai vaikas įdedamas arba išimamas.
- + Stabdydami, įsitikinkite, ar pilnai nuspaudėte stabdžio pedalą.
- + Didžiausias pirminių krepšio svoris yra 15 kg.
- + Įsitikinkite, kad vaikas negalėtų įlipti į vežimėlį.
- + Neleiskite vaikui/vaikams žaisti su gaminiu.



# **ĮSPĖJIMAS**

## **LOPŠYS**

- + „Joolz Geo<sup>3</sup>“ lopšys skirtas tik tokiam vaikui, kuris negali atsisėsti be pagalbos, apsiversti ir negali atsistoti remdamasis rankomis ir keliais. Didžiausias vaiko svoris: 9 kg/20 sv.
- + Niekada nepalikite vaiko be priežiūros.
- + Šis gaminys skirtas tik tokiam vaikui, kuris negali atsisėsti be pagalbos.
- + Naudokite tik ant tvirto, horizontalaus lygaus ir sauso paviršiaus.
- + Neleiskite kitiems neprižiūrimiems vaikams žaisti šalia lopšio.
- + Nenaudokite, jei kuri nors lopšio dalis yra pažeista, sulaužyta, sugadinta arba jos nėra.
- + Naudokite tik pakaitines ar atsargines dalis ir priedus, kuriuos tiekia arba patvirtino „Joolz“.
- + Naudokite tik „Joolz“ pateiktą čiužinį. Nedėkite papildomo čiužinio ant „Joolz“ pateikto čiužinio.
- + Laikykite „Joolz Geo<sup>3</sup>“ atokiau nuo atvirų liepsnų ir kitų šilumos šaltinių.
- + Lopšio rankenos ir dugnas turi būti reguliariai tikrinami, ar nėra pažeidimų ar nusidėvėjimo požymių.
- + Prieš naudodami, visada įsitikinkite, kad buferio strypas tinkamai pritvirtintas prie lopšio.
- + Vaiko galvytė lopšyje niekada neturėtų būti žemiau nei vaiko kūnas.
- + Perkaitimas gali sukelti pavojų jūsų vaiko gyvybei! Atsižvelkite į aplinkos temperatūrą bei vaiko aprangą ir užtikrinkite, kad vaikui nebūtų per šalta ar per šilta.

## **JEI GAMINYS NAUDOJAMAS KAIP LOVELĖ**

Produktas skirtas kūdikiams nuo gimimo iki 6 mėnesių amžiaus, sveriančių 9 kg ir daugiau vaikas gali pats sėdėti, pasitraukti arba gali nugrimzti į rankas ir kelius.  
EN I130: 2019 ir EN I6890: 2021

## **ĮSPĖJIMAS**

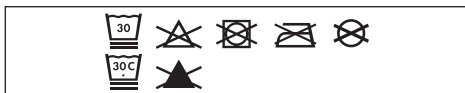
- + Nenaudokite gaminio be prieš tai neperskaičius instrukcijų.
- + Nustokite naudoti gaminį kai tik vaikas sugeba pats atsisėsti, atsikelti arba galintis uždėti rankas ant rankų ir kartos. Tada jis turėtų būti naudojamas žemesnė padėtis.
- + Papildomos prekės prekės įdėjimas gali sukelti uždusimas.
- + Neperkelkite gaminio į kitą vietą arti objektų, kurie gali sukelti uždusimą arba uždusti pavojus, pvz., virvelės, langų uždangos/užuolaidos ir kt.
- + Nenaudoti gaminyje, lovelėje (lovytė ir lopšys), daugiau nei vienas čiužinys.
- + Naudokite tik tokį čiužinį parduodamas su lovyte, o ne pridėkite prie jo kitų čiužinių - uždusti pavojus.

## PAPILDOMA INFORMACIJA

- + Gaminys turi būti dedamas horizontaliai prie grindų.
- + Vaikų negalima leisti į lovelę be priežiūros žaisti netoliese.
- + Vaikiška lovelė turi būti fiksuota padėtis, jei vaikas paliekamas be priežiūros.
- + Užspringimo pavojus: visi surinkimo priedai visadan turi būti tinkamai priveržti ir prižiūrėti kad varžtai neatsipalaiduotų, kaip gali vaikas arba su savo kūno dalimis, arba prie jų pritvirtintais drabužiais užkliūti (pvz., kaspiniai, karoliai, dirželiai ir pan.).
- + Čiužinys maks. storis: 30 mm.
- + **NENAUDOKITE** lovelės su dalimis dingęs, sugadintas arba sulūžęs. Jei reikia žr. atsargines dalis ir instrukcijų medžiagą patekti į Joolzo vakarėlį. Nekeiskite dalių.
- + Žinokite apie galimus pavojus šalia lovytės (lovytės ir lopšio) atvira ugnis ir kiti stiprūs šilumos šaltiniai, tokie kaip elektriniai ir dujiniai židiniai jmt.
- + Nelygūs paviršiai gali sukelti produkto nestabilumas.

## PRIEŽIŪROS/PLOVIMO INSTRUKCIJOS

Audumi ir noņemami un mazgājami veļasmašinoje. Išskalaukite švairiu vandeniu ir palikite išdžiūti. Niekada nenaudokite baliklio arba kitų cheminių ploviklių. Periodiškai (maždaug kartą per mėnesį) išpurškite ratukus ir metalines dalis teflono arba silikono purškalu, kad vežimėlis toliau riedėtų tolygiai.”



Jūsų „Geo<sup>3</sup>“ vežimėlio aliuminio dalys yra dengtos specialia danga, todėl yra apsaugotos nuo išorės poveikio, pavyzdžiui, rūdijimo. Dengtos aliuminio dalys yra jautrios rūgštiniam valikliams arba tepalams, kurie gali palikti dėmes arba pakeisti aliuminio dalių spalvą. Todėl patariame vežimėlio aliuminio dalis valyti šiltu vandeniu ir minkšta šluoste.

Kuriant „Joolz Geo<sup>3</sup>“ buvo itin atsižvelgiama į saugumą. Todėl mūsų gaminiai atitinka šiuos saugos standartus:

Europe:  
EN1888-2:2018 & EN 1466:2014/AC:2015  
United States:  
ASTM F833-2I, ASTM F2050-19  
Canada: SOR/2016-167  
Australia: AS/NZS 2088:2013

Aplankykite [joolz.com](http://joolz.com), [facebook.com/myjoolz](https://www.facebook.com/myjoolz) arba susisiekite su pardavėju, jei turite klausimų ir (arba) pastabų.

## OPOZORILO

- + Sedež je namenjen otrokom od 6 mesecev do 4 let, ALI do največje teže 22 kg v zgornjem položaju in 15 kg v spodnjem položaju z največjo višino 100 cm. Kar pride prej.
- + Ta sedež ni primeren za otroke, mlajše od 6 mesecev.
- + Nosilna posteljnica je primerna samo za otroke, ki še ne morejo sedeti brez pomoči, se prevaliti ali se dvigniti na roke in kolena. Največja teža otroka: 9 kg.
- + Ta izdelek ni primeren za tek ali kotalkanje.
- + Otroka nikoli ne pustite brez nadzora.
- + V izogib poškodbam zagotovite, da otrok/ otroci med prilagajanjem, sestavljanjem in razstavljanjem izdelka niso v bližini.
- + Med sestavljanjem ali razstavljanjem otroškega vozička bodite pozorni, da ne ukleščite prstov. Pri tem je potrebna previdnost.
- + Preprečite resne poškodbe, ki bi lahko nastale zaradi padca ali zdrsa iz izdelka. Vedno uporabljajte zadrževalni sistem.
- + Zagotovite, da so pred uporabo vključene vse zaporne naprave.
- + Pred uporabo preverite, ali so pritrdilne naprave za nosilno posteljnico, sedež ali avtomobilski sedež pravilno nameščene
- + Nosilna posteljnica in sedež vozička Joolz Geo<sup>3</sup> sta združljiva le z ogrodjem vozička Joolz Geo<sup>3</sup> in obratno.
- + Vsako breme, pritrjeno na potisni drog in/ ali na zadnjo stran naslona in/ali na bočne strani vozila, bo vplivalo na stabilnost vozila.
- + Če na enoto naložite pakete, dodatke ali oboje, lahko ta postane nestabilna. Zaradi prekomerne teže lahko nastanejo nevarni nestabilni pogoji.
- + V nosilni posteljnici ali sedežu lahko hkrati sedi samo en otrok
- + Uporabljajte samo avtomobilske sedeže, nadomestne ali rezervne dele in dodatke, ki jih dobavlja ali odobri podjetje Joolz.
- + Za oblazinjenje ne uporabljajte nobene blazine, odevnice ali dodatne vzmetnice, ki jih podjetje Joolz ne dobavlja ali odobri.
- + Avtomobilski sedeži, ki se uporabljajo v povezavi s ogrodjem, ne nadomeščajo posteljice ali postelje. Če bi vaš otrok moral spati, ga morate namestiti v primerno otroško posteljnico, posteljo ali odobren spalni prostor glede na zahteve vašega otroka.
- + Redno preverjajte, ali so na ogrodju vozička, nosilni posteljnici, sedežu in dodatkih vidni znaki poškodb in obrabe.
- + Ne uporabljajte vozička, če so kateri koli deli poškodovani, raztrgani ali manjkajo.
- + Preden ga zložite, na sprednja kolesa vozička vedno namestite vrtljivo ključavnico. Če tega ne storite, lahko pride do deformacije pnevmatik, zlasti v vročem okolju.
- + Kadar polagate ali jemljete otroka iz vozička, vedno zategnite zavoro.

- + Pri uporabi zavore se prepričajte, da je zavorni pedal povsem pritisnjen.
- + Največja teža nakupovalne košarice je 15 kg.
- + Poskrbite, da se otroci ne bodo vzpenjali na otroški voziček.
- + Ne pustite, da se otrok/otroci s tem izdelkom igrajo.

## **OPOZORILO**

### **ZA NOSILNO POSTELJICO**

- + Nosilna posteljica Joolz Geo<sup>3</sup> je primerna samo za otroke, ki še ne morejo sedeti brez pomoči, se preveliti ali se dvigniti na roke in kolena. Največja teža otroka: 9 kg.
- + Otroka nikoli ne pustite brez nadzora.
- + Izdelek je primeren le za otroke, ki še ne morejo sedeti brez pomoči.
- + Uporabljajte le na trdni, vodoravni in suhi površini.
- + Otroci se ne smejo brez nadzora igrati v bližini nosilne posteljice.
- + Ne uporabljajte, če je kateri koli del nosilne posteljice poškodovan, zlomljen, raztrgan ali manjka.
- + Uporabljajte samo nadomestne ali rezervne dele in dodatke, ki jih dobavlja ali odobri podjetje Joolz.
- + Uporabljajte samo žimnico, ki jo dobavlja podjetje Joolz. Na žimnico, ki jo dobavlja podjetje Joolz, nikoli ne nameščajte dodatne žimnice.
- + Vozička Joolz Geo<sup>3</sup> ne približujte odprtemu ognju in drugim virom toplote.

- + Ročaje in spodnji del nosilne posteljice je treba redno pregledovati glede znakov poškodb in obrabe.
- + Pred uporabo se vedno prepričajte, da je odbijač pravilno nameščen na nosilno posteljico.
- + Glava otroka v nosilni posteljici nikoli ne sme biti nižje od otrokovega telesa.
- + Pregrevanje lahko ogrozi življenje vašega otroka! Upoštevajte temperaturo okolice in otrokova oblačila ter se prepričajte, da otroku ni premrzlo ali pretoplo.

### **ZA UPORABO IZDELKA KOT POSTELJICE.**

Ta izdelek je namenjen dojenčkom, od rojstva do 6 mesecev, 9 kg, ali dokler ne morejo sedeti brez pomoči ali se potegniti ali potisniti na roke in kolena. EN I130: 2019 & EN I6890: 2021

## OPOZORILO

- + Tega izdelka ne uporabljajte brez predhodnega branja navodil za uporabo.
- + Nehajte uporabljati izdelek takoj, ko lahko otrok sedi ali poklekne ali se sam povleče navzgor. V tem primeru je treba uporabiti nižji položaj.
- + Dajanje dodatnih predmetov v izdelek lahko povzroči zadušitev.
- + Izdelka ne postavljajte v bližino drugega izdelka, saj lahko predstavlja nevarnost zadušitve ali zadavljenja, npr. vrvi, vrvi za zavese itd.
- + V izdelku ne uporabljajte več kot ene vzmetnice v izdelku, posteljici (jaslice in viseča postelja).
- + Uporabljajte le vzmetnice, ki se prodajajo s temi jaslami, in na to vzmetnico ne dodajajte druge vzmetnice, nevarnost zadušitve.

## DODATNE INFORMACIJE

- + Izdelek je treba postaviti na vodoravna tla.
- + Otroci se v bližini jaslami ne smejo igrati brez nadzora.
- + Ko otrok ni nadzorovan, morajo biti jaslami zaklenjene v fiksnem položaju.
- + Nevarnost zadavljenja: Vse pritrdilni elementi za montažo morajo biti vedno dobro zategnjeni in paziti morate, da vijaki niso odvit, saj bi se otrok lahko zataknil z deli telesa ali oblačili (npr. vrvice, ogrlice, trakovi za lutke za dojenčke itd.).
- + Največja debelina vzmetnice: 30 mm.
- + NE uporabljajte jaslami, če kateri koli del manjka, je poškodovan ali zlomljen. Po potrebi se obrnite na Joolz za nadomestne dele in literaturo z navodili. Ne nadomeščajte delov.
- + Bodite pozorni na nevarnosti odprtega ognja in drugih virov močne vročine, kot so električni plamenski grelci, plinski plamen ipd. v bližini otroške posteljice (jaslice in viseča postelja).
- + Neenakomerne površine lahko povzročijo nestabilnost izdelka.

## NAPOTKI ZA VZDRŽEVANJE/ ČIŠČENJE

Tkanine so odstranljive in jih lahko perete v pralnem stroju. Sperite s svežo vodo in počakajte, da se posuši. Nikoli ne uporabljajte belila ali drugih kemičnih detergentov. Redno (približno enkrat mesečno) očistite kolesa in kovinske dele s teflonskim ali silikonskim razpršilom, da zagotovite gladko delovanje vozička.”



Aluminijasti deli otroškega vozička Geo<sup>3</sup> so prevlečeni s prevleko, ki ščiti pred zunanjimi vplivi, kot je korozija. Prevlečeni aluminijasti deli so občutljivi na kislinska čistila ali mast, ki lahko povzročijo madeže in razbarvanje aluminijastih delov. Zato priporočamo, da aluminijaste dele otroškega vozička čistite s toplo vodo in mehko krpo.

Pri razvijanju vozička Joolz Geo<sup>3</sup> je bila varnost pomemben dejavnik. Naši izdelki zato izpolnjujejo naslednje varnostne standarde:

Europe:  
EN1888-2:2018 & EN 1466:2014/AC:2015  
United States:  
ASTM F833-2I, ASTM F2050-I9  
Canada: SOR/2016-167  
Australia: AS/NZS 2088:2013

Če imate kakršna koli vprašanja in/ali komentarje, obiščite spletno stran [joolz.com](http://joolz.com), [facebook.com/myjoolz](https://facebook.com/myjoolz) ali se obrnite na svojega prodajalca.

## PAŽNJA

- + Sjedalica je namijenjena djeci u dobi od 6 mjeseci do 4 godine III do maksimalne težine od 22 kg u gornjem položaju i 15 kg u donjem položaju i maksimalne visine od 100 cm. Što prije nastupi.
- + Sjedalica nije prikladna za djecu mlađu od 6 mjeseci.
- + Ova košara namijenjena je samo za dijete koje ne može sjediti bez pomoći, preokrenuti se te puzati na koljenima i rukama. Maksimalna težina djeteta: 9 kg.
- + Ovaj proizvod nije namijenjen trčanju ili klizanju.
- + Nikada ne ostavljajte dijete bez nadzora.
- + Da biste izbjegli ozljede, pobrinite se da prilikom prilagodbe, rasklapanja i sklapanja ovog proizvoda nema djece u blizini.
- + Imajte na umu da se prst može zaglaviti pri sklapanju ili rasklapanju kolica/kišobran kolica. Poduzmite sve mjere opreza.
- + Izbjegavajte ozbiljne ozljede uzrokovane padom ili ispadanjem. Uvijek koristite sustav pojasa.
- + Prije upotrebe provjerite jesu li svi uređaji za pričvršćivanje ispravno postavljeni.
- + Prije upotrebe provjerite jesu li košara, sjedalica ili dodatni uređaji za automobilsku sjedalicu ispravno postavljeni.
- + Košara i sjedalica Joolz Geo<sup>3</sup> kompatibilne su samo s okvirom Joolz Geo<sup>3</sup> i obrnuto.
- + Svaki predmet koji stavite na ručku i/ili na stražnji dio naslona i/ili na bočne strane vozila, utjecat će na stabilnost vozila.
- + Ako predmete ili pribor (ili oboje) stavite na proizvod, to može uzrokovati nestabilnost. Prekomjerna težina može uzrokovati štetne nestabilne uvjete.
- + U košari ili sjedalici može biti samo jedno dijete odjednom.
- + Koristite samo autosjedalice, zamjenske ili rezervne dijelove koje isporučuje ili odobrava Joolz.
- + Nemojte koristiti jastuke, poplune ili dodatne madrace koje Joolz nije isporučio ili odobrio.
- + Autosjedalice koje se koriste u kombinaciji sa šasijom nisu zamjena za krevetić ili kolijevku. Ako vaše dijete treba zaspati, stavite ga u odgovarajući krevetić, kolijevku ili područje za spavanje koje je prikladno za vaše dijete.
- + Redovito provjeravajte postoje li oštećenja ili znakovi trošenja na okviru kolica, košari, autosjedalici i dodatnoj opremi.
- + Ne koristite kolica ako su dijelovi oštećeni, razbijeni ili nedostaju.
- + Uvijek pritegnite kočnicu na prednjim kotačima prije sklapanja kolica. Ako to ne učinite, može doći do oštećenja guma, posebno u toplom okruženju.
- + Uvijek trebate pritisnuti kočnicu kad stavljate dijete u kolica ili ga vadite iz njih.
- + Pri kočenju svakako do kraja pritisnite kočnicu.
- + Maksimalna težina košare za kupnju je 15 kg.
- + Djeca se ne smiju penjati u kolica.
- + Ne dopustite djeci da se igraju ovim proizvodom.



# PAŽNJA

## ZA KOŠARU

- + Ova košara Joolz Geo<sup>3</sup> namijenjena je samo za dijete koje ne može sjediti bez pomoći, preokrenuti se te puzati na koljenima i rukama. Maksimalna težina djeteta: 9 kg.
- + Nikada ne ostavljajte dijete bez nadzora.
- + Ovaj proizvod prikladan je samo za dijete koje ne može sjediti bez pomoći.
- + Koristite samo na čvrstoj, horizontalnoj i suhoj površini.
- + Nemojte dozvoliti drugoj djeci da se bez nadzora igraju pored košare.
- + Nemojte koristiti ako je dio košare razbijen, oštećen ili nedostaje.
- + Koristite samo zamjenske ili rezervne dijelove koje isporučuje ili odobrava Joolz.
- + Koristite samo madrac koji isporučuje Joolz. Ne stavljajte dodatne madrace na madrac koji isporučuje Joolz.
- + Joolz Geo<sup>3</sup> čuvajte dalje od otvorenog plamena i drugih izvora topline.
- + Trebali biste redovito pregledavati ručke i donji dio košare kako biste otkrili ima li znakova oštećenja i habanja.
- + Prije upotrebe uvijek provjerite je li odbojna šipka ispravno pričvršćena na košaru.
- + Kada je u košari, glava djeteta nikada ne smije biti u nižem položaju u odnosu na tijelo djeteta.
- + Prekomjerno utopljanje može ugroziti život vašeg djeteta. U obzir uzmite ambijentalnu temperaturu i odjeću djeteta. Djetetu ne smije biti ni pretoplo ni prehladno.

## ZA KORIŠTENJE PROIZVODA KAO DJEČJEG KREKETIĆA.

Ovaj proizvod je namijenjen za dojenčad u periodu od rođenja do 6 mjeseci, 9 kila ili do trenutka kada mogu sjediti samostalno ili se podići ili se podići na ruke ili koljena. EN I130:2019 & EN I6890:2021

## PAŽNJA

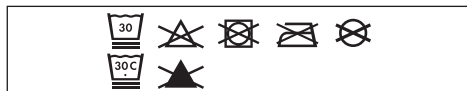
- + Nemojte upotrebljavati ovaj proizvod bez da ste prvo pročitali Upute za uporabu.
- + Prestanite koristiti ovaj proizvod čim dijete može samostalno sjediti, klečati ili podići se. Tada trebate upotrebljavati niži položaj.
- + Postavljenje dodatnih proizvoda u proizvod može uzrokovati gušenje.
- + Nemojte stavljati proizvod blizu drugog proizvoda koji bi mogao predstavljati opasnost od gušenja ili davljenja, npr. žice, užad za zavjese, itd.
- + Nemojte upotrebljavati više od jednog madraca u proizvodu, dječjem krevetiću (kolijevka i viseći ležaj).
- + Upotrebljavajte samo madrac koji je prodan u kompletu s kolijevkom, nemojte dodavati drugi madrac na taj, opasnost od gušenja.

## DODATNE INFORMACIJE

- + Proizvod se treba staviti na vodoravan pod.
- + Djeci se ne smije dopustiti da se igraju bez nadzora u blizini kolijevke.
- + Kolijevka mora biti zaključana u fiksnom položaju kada dijete nije pod nadzorom.
- + Opasnost od davljenja: Svi montažni dijelovi trebaju uvijek biti dobro zategnuti i treba se paziti da vijci ne budu olabavljeni jer dijete može dijelovima tijela ili odjeće zapeti (npr. lančići, ogrlice, vrpce za lutke za bebe, itd.).
- + Maksimalna debljina madraca: 30 mm.
- + NEMOJTE upotrebljavati kolijevku ako bilo koji dio nedostaje, oštećen je ili slomljen. Kontaktirajte Joolz za zamjenske dijelove i Upute za uporabu ako je potrebno. Nemojte zamjenjivati dijelove.
- + Budite svjesni opasnosti od otvorene vatre i drugih izvora jake vrućine, kao što su električni kamini, plinske grijalice itd. u neposrednoj blizini dječjeg krevetića (kolijevke i visećeg ležaja).
- + Neravne površine mogu uzrokovati nestabilnost proizvoda.

## ODRŽAVANJE/UPUTE ZA PRANJE

Tkanine se skidaju i peru u perilici. Isperite vodom i ostavite da se suši. Nikada ne koristite izbjeljivač i druga kemijska sredstva za čišćenje. Povremeno (otprilike jednom mjesečno) podmažite kola i metalne dijelove teflonom ili silikonskim sprejem kako biste osigurali nesmetano funkcioniranje kolica.



Aluminijski dijelovi kolica Geo<sup>3</sup> premazani su radi zaštite od vanjskih utjecaja, kao što je korozija. Premazani aluminijski dijelovi osjetljivi su na sredstva za čišćenje s kiselinom ili mast koja može uzrokovati mrlje i uništavanje boje na aluminijskim dijelovima. Stoga vam preporučujemo da aluminijske dijelove kolica čistite toplom vodom i mekanom krpom.

Tijekom razvoja kolica Geo<sup>3</sup> sigurnost je bila među najvažnijim stvarima. Stoga naši proizvodi ispunjavaju sljedeće sigurnosne norme:

Europa:  
EN1888-2:2018 & EN 1466:2014/AC:2015  
Sjedinjene Američke Države:  
ASTM F833-2I, ASTM F2050-19  
Kanada: SOR/2016-167  
Australija: AS/NZS 2088:2013

Ako imate pitanja i/ili primjedbi, posjetite [joolz.com](http://joolz.com), [facebook.com/myjoolz](https://facebook.com/myjoolz) ili se obratite prodajnom predstavniku.

## VAROVÁNÍ

- + Sedačka je určena pro děti od 6 měsíců do 4 let, NEBO do maximální hmotnosti 22 kg v horní poloze a 15 kg ve spodní poloze s maximální výškou 100 cm. Podle toho, co nastane dříve.
- + Tato sedačka není vhodná pro děti mladší 6 měsíců.
- + Hluboký přenosný díl je vhodný pouze pro dítě, které ještě neumí sedět zpřímá bez pomoci a neumí se samo otáčet nebo se zvednout na ruce nebo kolena. Maximální hmotnost dítěte: 9 kg/20 lbs.
- + Tento výrobek není vhodný pro běhání nebo bruslení.
- + Nikdy dítě nenechávejte bez dozoru.
- + Aby nedošlo ke zranění při rozkládání a skládání tohoto výrobku, ujistěte se, že je vaše dítě/jsou vaše děti v bezpečné vzdálenosti.
- + Při skládání nebo rozkládání sportovního kočárku/kočárku dávejte pozor na uvíznutí prstů. Je třeba dávat bedlivý pozor.
- + Dejte pozor na riziko vážného poranění v důsledku pádu nebo sklouznutí. Vždy používejte zádržný systém.
- + Před použitím se ujistěte, zda jsou všechny pojistné mechanismy správně zajištěny.
- + Před použitím zkontrolujte, zda jsou upevňovací mechanismy hlubokého přenosného dílu, sedačky nebo autosedačky správně zapojeny.
- + Hluboký přenosný díl a sedačka Joolz Geo<sup>3</sup> jsou kompatibilní výhradně s podvozkem Joolz Geo<sup>3</sup> a naopak.
- + Jakákoliv zátěž upevněná na rukojeť a/nebo na zadní část zádové opěrky a/nebo na body vozíku mohou mít dopad na jeho stabilitu.
- + Balíčky nebo doplňkové položky, či obojí, umístěné na jednotce mohou způsobit nestabilitu jednotky. Nadměrná hmotnost může způsobit rizikové nestabilní podmínky.
- + V hlubokém přenosném dílu nebo sedačce se smí přenášet současně pouze jedno dítě.
- + Používejte pouze autosedačky, náhradní či doplňkové díly a příslušenství, které dodala či schválila společnost Joolz.
- + Nepoužívejte žádné polštářky, šidítka či dodatečné matrace pro vypořádání, které nedodala či neschválila společnost Joolz.
- + Autosedačky používané ve spojení s kistrou nenahrazují korbou nebo postýlku. Pokud vaše dítě potřebuje spát, je třeba ho umístit do vhodné kolébky, postýlky nebo schválené oblasti ke spaní podle potřeb vašeho dítěte.
- + Pravidelně kontrolujte známky poškození nebo opotřebení na kostře kočárku, hlubokém přenosném dílu, sedačce a příslušenství.
- + Tento kočárek nepoužívejte, pokud jsou některé z jeho částí poškozeny, natrženy nebo chybí.
- + Před složením kočárku vždy použijte zámek otočného čepu na předním kolečku. Pokud tak neučiníte, může dojít k deformacím pneumatik, a to zejména v horkém prostředí.

- + Při vkládání a vyndávání dětí je nutné vždy kočárek zabrzdít.
- + Ujistěte se, že je při brzdění brzdový pedál plně sešlápnutý.
- + Maximální hmotnost nákupního košíku je 33 lbs/15 kg.

- + Zajistěte, aby dítě do kočárku nelezlo.
- + Nedovolte, aby si vaše dítě hrálo/ děti hrály s tímto výrobkem.

## **VAROVÁNÍ** **PRO HLUBOKÝ PŘENOSNÝ DÍL**

- + Hluboký přenosný díl Joolz Geo<sup>3</sup> je vhodný pouze pro dítě, které ještě neumí sedět zpříma bez pomoci a neumí se samo otáčet nebo se zvednout na ruce nebo kolena. Maximální hmotnost dítěte:
  - + 9 kg/20 lbs.
- + Nikdy dítě nenechávejte bez dozoru.
- + Tento výrobek je vhodný pouze pro dítě, které se nedovede samo bez cizí pomoci posadit.
- + Používejte pouze na pevném, vodorovném a suchém povrchu.
- + Nedovolte, aby si ostatní děti hrály bez dozoru v blízkosti přenosného hlubokého dílu.
- + Nepoužívejte, pokud je některá část přenosného hlubokého dílu poškozená, zlomená, natržená nebo chybí.
- + Používejte pouze náhradní či doplňkové díly a příslušenství, které dodala či schválila společnost Joolz.
- + Používejte pouze matrace dodané společností Joolz. Nedávejte další matraci na matraci dodanou od společnosti Joolz.
- + Výrobek Joolz Geo<sup>3</sup> udržujte mimo dosah otevřeného ohně a dalších zdrojů tepla.

- + Pravidelně kontrolujte rukojeti a dno přenosného hlubokého dílu, zda na nich nejsou známky poškození a opotřebení.
- + Před použitím vždy zkontrolujte, zda tyč nárazníku je správně zapojena k hlubokému přenosnému dílu.
- + Hlava dítěte v hlubokém přenosném dílu by nikdy neměla být níže než tělo dítěte.
- + Přehřátí může ohrozit život vašeho dítěte! Zohledněte teplotu prostředí a oblečení dítěte a ujistěte se, zda dítěti není příliš chladno nebo teplo.

## **PRO POUŽITÍ VÝROBKU JAKO DĚTSKÁ POSTÝLKA**

Tento výrobek je určený pro děti od narození do šesti měsíců, devíti kg, nebo do té doby, dokud se nedokážou samy posadit nebo se pomocí vlastních rukou postavit nebo lézt po kolenou. EN 1130:2019 & EN 16890:2021

## VAROVÁNÍ

- + Nepoužívejte tento výrobek bez toho, že byste si nejprve přečetli návod k použití.
- + Přestaňte tento výrobek používat, jakmile se dítě dokáže posadit, kleknout si nebo se pomocí vlastních rukou postavit. Pak byste měli použít spodní polohu.
- + Pokládání dalších předmětů do výrobku může vést k udušení.
- + Neumíst'ujte tento výrobek do blízkosti jiného výrobku, který by mohl představovat nebezpečí udušení nebo uškrcení, např. provazů, šňůr od žaluzií nebo závěsů apod.
- + S výrobkem, dětskou postýlkou (postýlkou a závěsným lůžkem) nepoužívejte více než jednu matraci.
- + Používejte pouze matraci prodávanou s touto dětskou postýlkou, nepokládejte na ni další matraci; hrozí nebezpečí udušení.
- + Je-li některá z jejích částí rozbitá, poškozená nebo zcela chybí, postýlku NEPOUŽÍVEJTE. Budete-li potřebovat nějaké náhradní díly a návody, obraťte se na firmu Joolz. Nepoužívejte náhražky dílů.
- + Mějte na paměti nebezpečí hrozící od otevřeného ohně a dalších silných zdrojů tepla, jako jsou elektrické přímotopy, plynová kamna apod., umístěných v blízkosti dětské postýlky (postýlky a závěsného lůžka).
- + Nerovný povrch může způsobit nestabilitu produktu.

## DALŠÍ INFORMACE

- + Výrobek musí být postaven na rovné podlaze.
- + V blízkosti postýlky si nesmějí hrát bez dozoru děti.
- + Když bude dítě ponecháno bez dozoru, musí být postýlka zajištěna v pevné poloze.
- + Nebezpečí uškrcení: Všechny montážní prvky musejí být vždy řádně utažené a je nutno dbát na to, aby nebyly povoleny žádné šrouby, protože dítě by se o ně mohlo zachytit částí těla nebo oděvu (např. šňůrkami, náhrdelníky, stuhami panenek apod.).
- + Maximální tloušťka matrace: 30 mm

## POKYNY PRO ÚDRŽBU/ČIŠTĚNÍ

Látky jsou snímatelné a lze je prát v pračce. Opláchněte čerstvou vodou a nechte oschnout. Nikdy nepoužívejte bělidlo nebo jiné chemické čisticí prostředky. Pravidelně (přibližně jednou za měsíc) ošetřete kola a kovové díly teflonovým nebo silikonovým sprejem k zajištění hladkého chodu kočárku.



Hliníkové díly vašeho kočárku Geo<sup>3</sup> jsou eloxované, aby byly chráněny před vnějšími vlivy, jako například před korozí. Eloxované hliníkové díly jsou citlivé na kyselý čisticí prostředky nebo mastnotu, které mohou způsobit skvrny a změnu zabarvení hliníkových dílů. Proto doporučujeme čistit hliníkové části kočárku jemným hadříkem a teplou vodou.

Bezpečnost byla důležitým faktorem v průběhu vývoje dětského sportovního kočárku Joolz Geo<sup>3</sup>. Naše výrobky jsou proto v plném souladu s následujícími bezpečnostními normami:

Europe:  
EN1888-2:2018 & EN 1466:2014/AC:2015  
United States:  
ASTM F833-2I, ASTM F2050-19  
Canada: SOR/2016-167  
Australia: AS/NZS 2088:2013

Máte-li nějaké otázky či připomínky, navštivte web [joolz.com](http://joolz.com), [facebook.com/myjoolz](https://www.facebook.com/myjoolz) nebo se obraťte na svého prodejce.

## ПРЕДУПРЕЖДЕНИЕ

- + Седалката е предназначена за деца от 6 месеца до 4 години ИЛИ до максимално тегло от 22 кг в горно положение и 15 кг в долно положение с максимална височина от 100 см. Което настъпи първо.
- + Седалката не е подходяща за деца на възраст под 6 месеца.
- + Кошчето за носене е подходящо само за деца, които не могат да седят изправени без помощ, да се преобръщат или да се изправят на четири крака. Максимално тегло на детето: 9 кг
- + Този продукт не е подходящ при тичане или каране на кьнки.
- + Никога не оставяйте детето без надзор.
- + За да избегнете наранявания, се уверете, че няма опасност за детето/децата Ви при регулиране, разгъване и сгъване на този продукт.
- + Внимавайте да не заклещите пръстите си, когато сгъвате и разгъвате количката. Трябва да бъдете изключително внимателни.
- + Не позволявайте падане или плъзгане встрани, защото това може да причини сериозни наранявания. Винаги използвайте ограничителните колани.
- + Преди употреба се уверете, че всички заключващи устройства са заключени.
- + Преди употреба се уверете, че кошчето за носене, седалката или устройствата за прикрепване към седалките за коли са инсталирани правилно
- + Кошчето за носене и седалката Joolz Geo<sup>3</sup> са съвместими само с шаси Joolz Geo<sup>3</sup> и обратното.
- + Всеки товар, прикрепен към лоста и/или на гърба на облегалката и/или отстрани на превозното средство, ще повлияе на стабилността на превозното средство.
- + Пакети или аксесоари, или и двете, поставени на модула, могат да причинят нестабилност на модула. Прекомерното тегло може да доведе до опасни условия на нестабилност.
- + Кошчето за носене или седалката може да носи само едно дете едновременно
- + Използвайте само седалки, части за подмяна или резервни части, както и аксесоари, които са предоставени или одобрени от Joolz.
- + Не използвайте никакви възглавници, завивки или допълнителни матраци за мека подложка, които не са предоставени или одобрени от Joolz.
- + Седалките за коли, които се използват в съчетание с шаси, не могат да заместят кошара или легло. В случай че детето Ви трябва да спи, то трябва да бъде поставено в удобно детско креватче, легло или подходящо място за спане в зависимост от нуждите на детето Ви.
- + Проверявайте шасито на количката, кошчето за носене, седалката и аксесоарите редовно за следи от повреда или износване.



- + Не използвайте количката, ако има повредени или липсващи части.
- + Винаги активирайте осевото заключване на предните колела, преди да сгънете количката. В противен случай може да се стигне до деформиране на гумите, особено при високи температури.
- + Спирачките винаги трябва да са активирани, когато слагате или вадите детето в/от количката.
- + Уверете се, че педалът на спирачката е напълно зацепил, когато задействате спирачката.
- + Максималното тегло на кошницата за пазаруване е 15 кг.
- + Не допускайте децата да се катерят в количката.
- + Не позволявайте игра на детето/ децата с този продукт.

## ПРЕДУПРЕЖДЕНИЕ

### ЗА КОШЧЕТО ЗА НОСЕНЕ

- + Кошчето за носене Joolz Geo<sup>3</sup> е подходящо само за деца, които не могат да седят изправени без помощ, да се преобръщат или да се изправят на четири крака. Максимално тегло на детето: 9 кг
- + Никога не оставяйте детето без надзор.
- + Този продукт е подходящ само за деца, които не могат да седят изправени без помощ.
- + Използвайте само на здрава, равна и суха хоризонтална повърхност.
- + Не оставяйте други деца да играят без надзор в близост до кошчето за носене.
- + Не използвайте кошчето за носене, ако има повредени, счупени, скъсани или липсващи части.
- + Използвайте само части за подмяна или резервни части, както и аксесоари, които са предоставени или одобрени от Joolz.
- + Използвайте само матрака, предоставен от Joolz. Не поставяйте допълнителни матраци върху матрака, осигурен от Joolz.
- + Пазете Joolz Geo<sup>3</sup> далеч от открит огън и други източници на топлина.
- + Дръжките и долната част на кошчето за носене трябва да се проверяват редовно за признаци на износване или повреждане.
- + Винаги се уверявайте, че предпазителят е поставен правилно към частите на кошчето за носене преди употреба.
- + Главата на детето в кошчето за носене никога не трябва да бъде на по-ниско ниво спрямо тялото му.
- + Претоплянето може да застраши живота на детето ви! Вземете предвид околната температура и дрехите на детето и се уверете, че на детето не му е твърде студено или твърде топло.

## ЗА ИЗПОЛЗВАНЕ НА ПРОДУКТА КАТО КРЕВАТЧЕ

Това изделие е предназначено за пеленачета на възраст до 6 месеца, тегло 9 кг или до момента, в който могат да стоят в седнало положение без чужда помощ, да се издърпват нагоре или да се повдигат върху ръцете и коленете си. EN1130:2019 & EN16890:2021

### ПРЕДУПРЕЖДЕНИЕ

- + Не използвайте това изделие, преди да се запознаете с инструкциите за употреба.
- + Преустановете употребата на изделието, когато детето вече може да стои в седнало положение или да коленичи или да се издърпва нагоре.
- + Поставянето на допълнителни елементи в изделието може да доведе до задушаване.
- + Не поставяйте продукта в близост до друго изделие, което може да доведе до опасност от задушаване или удушаване, напр. Връзки, връви за щори/завеси и т.н.
- + Не използвайте повече от един матрак за изделието, кошарата (детско креватче и окачено легло).
- + Използвайте само матрака, който се продава с това детско креватче, не добавяйте втори матрак, тъй като това може да доведе до рискове от задушаване.

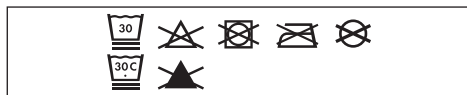
## ДОПЪЛНИТЕЛНА ИНФОРМАЦИЯ

- + Продуктът трябва да бъде поставен върху хоризонтален под.
- + Децата нямат право да играят без надзор в непосредствена близост до детско креватче.
- + Кошарата трябва да е затворена и записва се, когато детето остане без надзор.
- + Риск от задушаване: целият монтаж фитингите винаги трябва да бъдат здраво затегнат, също трябва да се наблюдава за да не бъдат отслабени винтове, защото едно дете може придържайте се към тях с части на тялото или облекло (напр струни, колиета, панделки за залъгалки и др.).
- + Максимална дебелина на матрака: 30 мм
- + НЕ използвайте креватчето, ако всички части липсват, повредени или счупен. Свържете се, ако е необходимо от Joolz, за да получите резервен части и инструкции за употреба. Не подменете части.
- + Помнете опасността открит огън и други източници силна топлина, като електрическа спирални нагреватели, газови нагреватели и др., в непосредствена близост от креватчето (креватче или висящо легло).
- + Неравните повърхности могат причиняват нестабилност на продукта.

## ИНСТРУКЦИИ ЗА ПОЧИСТВАНЕ/ ПОДДРЪЖКА

Платовете се свалят и перат в пералня. Изплакнете с питейна вода и оставете да изсъхне.

Никога не използвайте белина или други химически препарати. Периодично (приблизително веднъж месечно) нанасяйте тефлон или силиконов спрей по колелата, за да гарантирате плавния ход на количката.



Алуминиевите части на Вашата количка Geo<sup>3</sup> имат покритие с цел защита срещу определени външни влияния, като например корозирание. Алуминиеви части с покритие са уязвими към киселинни почистващи препарати или смазка, които може да доведат до появата на петна или обезцветяването им. Поради тази причина Ви съветваме да почиствате алуминиевите части на количката с топла вода и мека кърпа.

По време на разработването на Joolz Geo<sup>3</sup> обърнахме специално внимание на безопасността. Така нашите продукти отговарят на следните стандарти за безопасност:

Europe:  
EN1888-2:2018 & EN 1466:2014/AC:2015  
United States:  
ASTM F833-2I, ASTM F2050-19  
Canada: SOR/2016-167  
Australia: AS/NZS 2088:2013

Ако имате някакви въпроси и/или забележки, посетете [joolz.com](http://joolz.com), [facebook.com/myjoolz](https://facebook.com/myjoolz) или се свържете с Вашия търговец.

## **AVERTISMENT**

- + Acest scaun este destinat pentru copiii de la 6 luni până la 4 ani, SAU pentru o greutate maximă de 22 kg în poziția de sus și de 15kg în poziția de jos, cu o înălțime maximă de 100 cm. Depinde de care dintre acestea trebuie avută în vedere în primul rând.
- + Acest landou nu este adecvat pentru copiii cu vârste de sub 6 luni.
- + Landoul este adecvat doar pentru un copil care nu se poate ridica fără ajutor, nu se poate rostogoli și nu se poate ridica sprijinindu-se în mâini și genunchi. Greutatea maximă a copilului: 9 kg.
- + Acest produs nu este adecvat pentru alergare sau patinaj.
- + Nu vă lăsați copilul nesupravegheat.
- + Pentru a evita vătămările corporale, asigurați-vă că copilul/ copiii dumneavoastră nu sunt în preajmă în momentul depierii, plierii și ajustării acestui produs.
- + Atenție la riscul de prindere a degetelor atunci când pliați sau depiați unitatea/căruciorul. Acordați atenția necesară.
- + Evitați rănile grave provocate prin cădere sau alunecare. Utilizați întotdeauna sistemul de fixare.
- + Asigurați-vă că toate dispozitivele de blocare sunt cuplate înainte de utilizare.
- + Verificați dacă, înainte de utilizare, dispozitivele de atașare a landoului, a unității de scaunului sau a scaunului auto sunt cuplate corect
- + Landourile și unitățile de scaun Joolz Geo<sup>3</sup> sunt compatibile doar cu cadrul Joolz Geo<sup>3</sup> și viceversa.
- + Orice sarcină atașată la bara de împingere și/sau pe spatele spătarului și/sau pe părțile laterale ale unității va afecta stabilitatea unității.
- + Elementele sau obiectele accesorii sau ambele, amplasate pe unitate, pot provoca instabilitatea acesteia. Greutatea excesivă poate conduce la instabilitate periculoasă a unității.
- + Cu landoul sau unitatea de scaun poate fi transportat un singur copil la un moment dat.
- + Folosiți scaune auto, elemente de înlocuire sau piese de schimb și accesorii furnizate sau aprobate de Joolz.
- + Nu folosiți perne, saltele sau saltele suplimentare pentru căptușeala unității, care nu sunt furnizate sau aprobate de Joolz.
- + Scaunele auto, utilizate în combinație cu un cadru al unui cărucior, nu înlocuiesc un landou sau un pătuț. În cazul în care copilul trebuie să doarmă, atunci acesta trebuie să fie așezat într-un pat corespunzător, un pătuț de dormit sau o zonă de dormit aprobată, în funcție de cerințele copilului dumneavoastră.
- + Verificați în mod regulat cadrul, landoul unitatea de scaun și accesoriile, să nu prezinte semne de deteriorare și rupere.
- + Nu utilizați căruciorul dacă vreuna dintre piese este deteriorată, uzată sau lipsește.

- + Aplicați întotdeauna blocarea rotirii pe roțile din față înainte de a deplia căruciorul. Nerespectarea acestei recomandări poate avea drept rezultat deformarea pneurilor, în special într-un mediu cu temperaturi ridicate.
- + Frânele trebuie acționate întotdeauna în momentul așezării și ridicării copiilor.
- + Asigurați-vă că pedala de frână este complet trasă atunci când apăsați pe ea.
- + Greutatea maximă a coșului de cumpărături este de 15 kg.
- + Asigurați-vă că copiii nu se cațără pe cărucior.
- + Nu lăsați copilul/copiii să se joace cu acest produs.

## **AVERTISMENT** PENTRU LANDOU

- + Landoul Joolz Geo<sup>3</sup> este adecvat doar pentru un copil care nu se poate ridica fără ajutor, nu se poate rostogoli și nu se poate ridica sprijinindu-se în mâini și genunchi. Greutatea maximă a copilului: 9 kg.
- + Nu vă lăsați copilul nesupravegheat.
- + Acest produs este adecvat doar pentru un copil care nu se poate ridica fără ajutor.
- + Utilizați doar pe o suprafață fermă, orizontală și uscată.
- + Nu lăsați alți copii să se joace nesupravegheați în apropierea landoului de transport.
- + Nu utilizați dacă vreo parte a landoului de transport este deteriorată, defectă, uzată sau lipsește.
- + Folosiți doar elemente de înlocuire sau piese de schimb și accesorii furnizate sau aprobate de Joolz.
- + Folosiți doar salteaua furnizată de Joolz. Nu așezați o saltea suplimentară peste salteaua furnizată de Joolz.
- + Țineți Joolz Day + departe de foc deschis și alte surse de căldură.
- + Mănerile și fundul landoului de transport trebuie inspectate periodic pentru semne de deteriorare și uzură.
- + Asigurați-vă întotdeauna că bara amortizoare este cuplată corect la landou înainte de utilizare.
- + Capul copilului din landou nu trebuie să fie mai jos decât corpul copilului.
- + Supraîncălzirea poate pune în pericol viața copilului dvs.! Țineți cont de temperatura ambientală și de hainele copilului și asigurați-vă că nu îi va fi prea rece sau prea cald.

## PENTRU FOLOSIREA PRODUSULUI CA PATUT.

Acest produs este destinat sugarilor, de la naștere până la 6 luni, 9 kg, sau până când pot sta în șezut fără ajutor, pot să se ridice singuri sau pot să se ridice împingându-se pe mâini și genunchi. EN 1130:2019 & EN 16890:2021

## AVERTISMENT

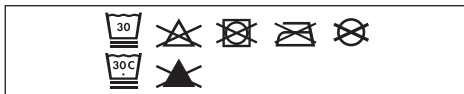
- + Nu utilizați acest produs fără a citi mai întâi instrucțiunile de utilizare.
- + Încetați utilizarea produsului imediat ce copilul poate să stea în șezut sau în genunchi sau poate să se ridice. În acest caz, se va folosi poziția mai joasă.
- + Plasarea de articole suplimentare în produs poate duce la sufocare.
- + Nu așezați produsul în apropierea altui produs, care ar putea prezenta un pericol de sufocare sau strangulare, de ex. șnururi, cordoane pentru jaluzele/draperii etc.
- + Nu utilizați mai mult de o saltea în produs, pătuțul de copil (leagăn și pat suspendat).
- + Utilizați numai salteaua vândută cu acest leagăn, nu adăugați o a doua saltea peste aceasta, există pericol de sufocare.

## INFORMAȚII SUPPLEMENTARE

- + Produsul trebuie așezat pe o podea orizontală.
- + Copiii nu trebuie lăsați să se joace nesupravegheați în apropierea leagănelui.
- + Leagănelul trebuie blocat în poziție fixă atunci când copilul este lăsat nesupravegheat.
- + Risc de strangulare: Toate niplurile utilizate la asamblare trebuie strânse întotdeauna în mod corespunzător și trebuie să verificați cu atenție ca nici un șurub să nu fie slăbit, deoarece un copil și-ar putea prinde părți din corp sau îmbrăcăminte (de exemplu, șnururi, coliere, panglicile de la suzete etc.).
- + Grosimea maximă a saltelei: 30 mm.
- + NU utilizați leagănelul în cazul în care acesta prezintă elemente lipsă, deteriorate sau stricate. Contactați Joolz pentru piese de schimb și manualul de instrucțiuni, dacă este necesar. Nu înlocuiți piesele. literature if needed. Do not substitute parts.
- + Fiți conștient de riscul existenței unei flăcări deschise sau a altor surse de căldură puternică, precum aparate de încălzire electrice, flăcări de gaz etc., în apropierea pătuțului de copil (leagăn și pat suspendat).
- + Suprafețele neuniforme pot provoca instabilitatea produsului.

## ÎNȚREȚINEREA/INSTRUCȚIUNI DE SPĂLARE

Țesăturile sunt detașabile și se pot spăla la mașină. Clătiți cu apă proaspătă și lăsați la uscat. Nu utilizați niciodată înălbitor sau alți detergenți chimici. Tratați periodic (aproximativ o dată pe lună) roțile și piesele metalice cu Teflon sau spray cu silicon pentru a asigura rularea lină a căruciorului.



Piesele de aluminiu ale căruciorului dumneavoastră Geo<sup>3</sup> sunt eloxate pentru a-l proteja de influențele externe, precum coroziunea. Piesele de aluminiu eloxate sunt vulnerabile la agenți de curățare acizi sau lubrifianți, care pot cauza pete sau decolorarea pieselor din aluminiu. Prin urmare, vă sfătuim să curățați piesele din aluminiu ale căruciorului dumneavoastră cu apă caldă și o cârpă moale.

Siguranța a reprezentat un factor important pe parcursul fabricării căruciorului Joolz Geo<sup>3</sup>. Așadar, produsele noastre respectă următoarele standarde de siguranță:

Europe:  
ENI888-2:2018 & EN 1466:2014/AC:2015  
United States:  
ASTM F833-2I, ASTM F2050-19  
Canada: SOR/2016-167  
Australia: AS/NZS 2088:2013

Vă rugăm să vizitați [joolz.com](http://joolz.com), [facebook.com/myjoolz](https://facebook.com/myjoolz) sau să contactați furnizorul pentru orice întrebări și/sau comentarii.

## UPOZORENJE

- + Sedište je namenjeno za decu od 6 meseci do 4 godine, I LI do maksimalne težine od 22 kg u uspravljenom položaju i 15 kg u spušenom položaju sa maksimalnom visinom od 100 cm. Koži god uslov da se prvi ispuni.
- + Jedinica sedišta nije pogodna za decu mlađu od 6 meseci.
- + Ova kolevka za nošenje je pogodna za decu koja ne mogu sama da sede, okreću se i uspravljaju pomoću ruku i kolena. Maksimalna težina deteta: 9 kg.
- + Ovaj proizvod nije pogodan za trčanje ili vožnju poput rolšua/ skejtborda.
- + Nikada nemojte ostavljati dete bez nadzora.
- + Da biste izbegli povredu uverite se da se dete/ deca nalazi/e dalje od ovog proizvoda prilikom njegovog podešavanja, rasklapanja i sklapanja.
- + Pazite da ne povredite prste prilikom sklapanja ili rasklapanja kolica. Obratite posebnu pažnju na ovo.
- + Izbegavajte ozbiljne povrede od pada ili ispadanja. Uvek koristite bezbednosni sistem.
- + Uverite se da su svi uređaji za zaključavanje aktivirani pre korišćenja.
- + Uverite se da su kolevka za nošenje, dodaci jedinice sedišta ili sedišta za automobil pravilno pričvršćeni pre korišćenja
- + Joolz Geo<sup>3</sup> jedinica kolevke za nošenje i sedišta kompatibilna je samo sa Joolz Geo<sup>3</sup> konstrukcijom i obrnuto.
- + Bilo kakav teret pričvršćen za kolica i/ ili iza naslona i/ili sa strana vozila uticaće na stabilnost vozila.
- + Paketi ili dodaci, ili oboje, postavljeni na jedinicu mogu da prouzrokuju da jedinica postane nestabilna. Suvišna težina može da prouzrokuje opasno nestabilno stanje.
- + U jedinicu kolevke za nošenje ili sedišta može da stane samo jedno dete u svakom trenutku.
- + Koristite samo sedišta za automobil, delove za zamenu ili rezervne delove i dodatke koje je dostavila ili odobrila kompanija Joolz.
- + Ne koristite nikakve jastučice, dodatke za udobnost ili dodatne madrace za podmetanje koje nije dostavila ili odobrila kompanija Joolz.
- + Sedišta za automobil, korišćena povezana sa konstrukcijom kolica, ne zamenjuju kolevku ili krevet. Ako dete treba da spava, onda ga treba staviti u odgovarajuću kolevku, krevetac ili odobreno područje za spavanje prema potrebama deteta.
- + Uverite se da na konstrukciji kolica, kolecvi za nošenje, jedinici sedišta i dodacima nema znakova oštećenja i habanja.
- + Nemojte koristiti kolica ako je bilo koji deo oštećen, pohaban ili nedostaje.
- + Uvek primenite sistem za blokadu okretanja na prednjim točkovima pre sklapanja kolica. Ako to ne uradite, može doći do deformacije pneumatika, naročito u vrućem okruženju.
- + Kočnice uvek treba da budu u funkciji kada smeštate i vadite decu.



- + Uverite se da je pedala kočnice potpuno pritisnuta kada kočite.
- + Maksimalna težina korpe za kupovinu je 15 kg/33 lbs.
- + Pazite da se deca ne penju u kolica.
- + Nemojte dozvoliti detetu/deci da se igra/ju ovim proizvodom.

## **UPOZORENJE** **ZA KOLEVKU ZA NOŠENJE**

- + Joolz Geo<sup>3</sup> kolevka za nošenje je pogodna za decu koja ne mogu sama da sede, okreću se i uspravljaju pomoću ruku i kolena. Maksimalna težina deteta: 9 kg.
- + Nikada nemojte ostavljati dete bez nadzora.
- + Ovaj proizvod je pogodan samo za dete koje ne može samo da sedi.
- + Koristite samo na čvrstoj, horizontalnoj i suvoj površini.
- + Nemojte dozvoliti drugoj deci da se igraju bez nadzora u blizini kolevke za nošenje.
- + Nemojte koristiti ako je bilo koji deo kolevke za nošenje oštećen, polomljen, pocepan ili nedostaje.
- + Koristite samo delove za zamenu ili rezervne delove i dodatke koje je dostavila ili odobrila kompanija Joolz.
- + Koristite isključivo madrace koje je obezbedila kompanija Joolz. Nemojte stavljati dodatni madrac na madrac koji obezbeđuje kompanija Joolz.
- + Držite JoolzGeo<sup>3</sup> dalje od otvorenog plamena i drugih izvora toplote.

- + Ručke i dno kolevke za nošenje treba redovno pregledati radi pojave eventualnih znakova oštećenja i habanja.
- + Uvek se uverite da je branik pravilno pričvršćen za jединicu kolevke za nošenje pre upotrebe.
- + Glava deteta u kolevci za nošenje nikada ne treba da bude niže od tela deteta.
- + Pregrevanje može da ugrozi život vašeg deteta! Uzmite u obzir temperaturu okoline i detetovu odeću i uverite se da detetu nije previše hladno ili previše toplo.

### **ZA KORIŠĆENJE PROIZVODA KAO KREVEĆA.**

Ovaj proizvod je namenjen za bebe u period od rođenja do 6 meseci, 9 funti ili više trenutak kada mogu da sedim sam ili da se podignem da se podigne ili podigne na ruke ili kolena. EN 1130: 2019 i EN 16890: 2021

## UPOZORENJE

- + Nemojte koristiti ovaj proizvod bez prvog čitanja Uputstvo za upotrebu.
- + Prestanite da koristite ovaj proizvod čim dete može samostalno sedeti, klečati ili ustaj. Onda treba da koristite niži položaj.
- + Ugradnja dodatnih proizvoda proizvod može izazvati gušenje.
- + Ne stavljajte proizvod blizu drugog proizvoda koji bi može predstavljati opasnost od gušenja ili davljenja, npr. žice, užad za zavese itd.
- + Nemojte više koristiti od jednog duška u proizvodu, dječji krevetić (krevetac i viseća mreža).
- + Koristite samo dušek koji se prodaje u kompletu sa kolevka, ne dodaj još jedan dušek na tome, opasnost od gušenja.

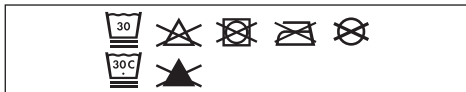
## VIŠE INFORMACIJA

- + Proizvod treba postaviti na horizontalni pod.
- + Deci ne treba dozvoliti da se igraju bez nadzor u blizini kolevke.
- + Kolevka mora biti zaključana u fiksnom položaju kada dete nije pod nadzorom.
- + Opasnost od davljenja: Sve montažno delovi uvek treba da budu dobro zategnuti i treba paziti da se ne olabave zavrtnji jer dete može delove tela ili odeću pričvrstiti (npr. lančići, ogrlice, trake za lutke za bebe itd.).
- + Maksimalna debljina duška: 30 mm.
- + NEMOJTE koristiti postolje ako postoji koji deo nedostaje, oštećen ili slomljen. Kontaktirajte Joolz za rezervne delove i Uputstvo za upotrebu ako je potrebno. Nemoj zameniti delove.
- + Budite svesni opasnosti od otvorenog vatra i drugi izvori intenzivne toplote, kao npr su električni kamini, gasni grejači itd. blizu krevetića (kolevka i viseća mreža).
- + Neravne površine mogu uzrokovati nestabilnost proizvoda.

## UPUTSTVO ZA ODRŽAVANJE/PRANJE

Tkanine se skidaju i peru u mašini. Isperite čistom vodom i ostavite da se osuši. Nikad nemojte koristiti izbeljivač ili druge hemijske deterdžente.

Periodično (otprilike jednom mesečno) tretirajte točkove i metalne delove Teflon ili silikonskim sprejem da biste obezbedili neometano kretanje kolica.



Aluminijumski delovi Geo<sup>3</sup> kolica su premazani da bi se kolica zaštitila od uticaja kao što je rđa. Premazani aluminijumski delovi su osetljivi na kisela sredstva za čišćenje ili mast, što može da izazove mrlje i promenu boje aluminijumskih delova. Stoga preporučujemo da aluminijumske delove kolica čistite toplom vodom i mekom krpom.

Prilikom razvoja Joolz Geo<sup>3</sup> kolica bezbednost je bila važna stavka. Naši proizvodi stoga ispunjavaju sledeće bezbedonosne standarde:

Europe:  
EN1888-2:2018 & EN 1466:2014/AC:2015  
United States:  
ASTM F833-2I, ASTM F2050-19  
Canada: SOR/2016-167  
Australia: AS/NZS 2088:2013

Posetite [joolz.com](http://joolz.com), [facebook.com/myjoolz](https://facebook.com/myjoolz) ili se obratite maloprodaji za sva pitanja i/ili komentare.

## FIGYELMEZTETÉS

- + Az ülőrész egységet 6 hónapos kortól 4 éves korig, ill. felső pozícióban max. 22 kg, alsó pozícióban max. 15 kg súlyú és maximum 100 cm magasságú gyermekek számára terveztük. A kettő közül a korábban teljesülő az érvényes.
- + Az ülésrész 6 hónaposnál fiatalabb gyermekek esetében nem használható.
- + A babakocsi olyan gyermeknek megfelelő, aki még nem tud egyedül felülni, nem tud megfordulni és nem tud négykézlábra állni. A gyermek maximális testsúlya: 9 kg.
- + A termék nem alkalmas futáshoz vagy görkorcsolyázáshoz.
- + Soha ne hagyja a gyermekét felügyelet nélkül.
- + A sérülések elkerülése érdekében vigyázzon gyermeke/ gyermekei épségére a termék beállításakor, összecukásakor és kinyitásakor.
- + Ügyeljen arra, hogy saját vagy gyermeke ujját ne csípje be a babakocsi összecukásakor vagy kinyitásakor. A műveletet mindig körültekintően végezze el.
- + Előzze meg a súlyos, a kiesésből vagy kicsúszásból származó baleseteket. Mindig használja a rögzítőrendszert.
- + Használat előtt ellenőrizze, hogy az összes rögzítőeszközt alkalmazta-e.
- + Használat előtt ellenőrizze, hogy a hordozót, ülésrészt vagy az autósülést rögzítő eszközöket megfelelően biztosította-e.
- + A Joolz Geo<sup>3</sup> hordozó és ülőrész csak Joolz Geo<sup>3</sup> vázzal kompatibilis és fordítva.
- + Módosítja a babakocsi stabilitását, ha bármilyen súlyt helyez a tolókarrra és/vagy a háttámaszra és/vagy a babakocsi oldalára.
- + Ha csomagokat helyez el az egységen vagy kiegészítőket szerel fel rá (vagy esetleg egyszerre mindkét helyzet előfordul), akkor az egység instabillá válhat. A túl sok súllyal veszélyes instabil állapotot hozhat létre.
- + A hordozóban vagy az ülőrészben egyszerre csak egy gyermek szállítható.
- + Kizárólag a Joolz vállalattól beszerzett vagy a Joolz által jóváhagyott autósülést, csere- és pótalkatrészt vagy tartozékot használja.
- + Ne használjon olyan párnát, takarót vagy a babakocsi bélelésére alkalmas matracot, amely nem a Joolztól származik vagy azt nem a Joolz hagyta jóvá.
- + A vázzal együtt használt autósülések nem helyettesítik a mőzeskosarat vagy az ágyat. Ha gyermeke álmos, helyezze őt megfelelő kiságyba vagy a gyermeke igényeinek megfelelő, átvásra alkalmas helyre.
- + Rendszeresen ellenőrizze, hogy a babakocsi váza, a hordozó, az ülőrész vagy valamelyik tartozék nem sérült-e meg vagy nem használódott-e el.
- + Ne használja a babakocsit, ha bármelyik alkatrésze sérült, szakadt vagy hiányos.

- + A babakocsi összehajtása előtt minden esetben rögzítse az első kerekek forgását gátló féket. Ennek elmulasztása esetén a gumibroncsok beszorulhatnak és eldeformálódhatnak, főleg meleg környezetben.
- + A fékeket mindig használni kell, amikor a gyermeket behelyezi a babakocsiba, vagy kiveszi onnan.
- + Fékezéskor a lábpedálnak teljesen lenyomva kell lennie.
- + A bevásárlókosár súlya legfeljebb 15 kg/33 font lehet.
- + Soha ne engedje, hogy a gyermek a babakocsiba másszon.
- + Ne engedje, hogy a gyermek/gyermekek játsszanak a termékkel.

## FIGYELMEZTETÉS

### HORDOZÓ

- + A Joolz Geo<sup>3</sup> babakördöző olyan gyermeknek megfelelő, aki még nem tud egyedül felülni, nem tud megfordulni és nem tud négykézlábra állni. A gyermek maximális testsúlya: 9 kg.
- + Soha ne hagyja a gyermekét felügyelet nélkül.
- + A termék csak olyan gyermek esetén használható, aki még nem tud egyedül felülni.
- + Kizárólag szilárd, vízszintes és száraz felületen használja.
- + Ne hagyja, hogy más gyermekek felügyelet nélkül játszanak a hordozó közelében.
- + Ne használja a hordozható mózeskosarat, ha valamelyik része sérült, eltört, elszakadt vagy hiányzik.
- + Kizárólag a Joolz vállalattól beszerzett vagy a Joolz által jóváhagyott csere- és pótalkatrészt vagy tartozékot használja.
- + Kizárólag a Joolz vállalattól beszerzett matracot használja. Ne tegyen további matracokat a Joolz matracra.
- + A Joolz Geo<sup>3</sup> terméket nyílt lángtól és hőforrástól tartsa távol.
- + A hordozható mózeskosár karját és alját rendszeresen ellenőrizze, hogy nem sérült vagy kopott-e.
- + Használat előtt mindig győződjön meg róla, hogy a kiesés-gátló kar megfelelően van rögzítve a mózeskosár egységhez.
- + A mózeskosár hordozóban a gyermek fejének mindig feljebb kell lennie, mint a testének.
- + A túlmelegedés veszélyeztetheti gyermeke életét! Mindig vegye figyelembe a külső hőmérsékletet és a gyermek ruházatát, hogy megbizonyosodjon róla, hogy a gyermek nem fázik-e vagy nincs-e túl melege.

## A TERMÉK KISÁGYKÉNT VALÓ HASZNÁLATÁHOZ.

Ezt a terméket csecsemőknek szánták, születéstől 6 hónapig, 9 kg-os súlyig, vagy addig, amíg nem tudnak segítség nélkül ülni, vagy felhúzni illetve felnyomni magukat a kezük és a térdük segítségével. EN 1130:2019 & EN 16890:2021

## FIGYELMEZTETÉS

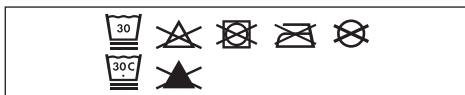
- + Ne használja a terméket a használati utasítások elolvasása nélkül.
- + Amint a gyermek képes felülni, térdelni vagy fel tudja húzni magát, hagyja abba a termék használatát. Ebben az esetben az alsó pozíciót használja.
- + Ne helyezzen tárgyakat a bölcsőbe, mert ez fulladást okozhat.
- + Ne helyezze a terméket egy másik termékhez közel, amely fulladás vagy megfojtás veszélyével járhat, pl. hurok, függönyök/ függönyzsinórok stb.
- + Ne használjon több, mint egy matracot a termékben, bölcsőben (bölcső és függőágy).
- + Kizárólag a bölcsővel forgalmazott matracot használja, ne használjon második matracot, ugyanis az fulladás veszélyével jár.

## TOVÁBBI INFORMÁCIÓK

- + A terméket vízszintes padlóra kell elhelyezni.
- + Gyermek számára tilos felügyelet nélkül játszani a bölcső közelében.
- + A bölcsőt rögzíteni kell a helyén, amikor a gyermek felügyelet nélkül marad.
- + Fulladás veszélye: Minden illesztést mindig alaposan meg kell húzni, és ügyelni kell arra, hogy a csavarok ne lazuljanak meg, mert a gyermek testének vagy ruhájának részei beleakadhatnak (pl. zsinórok, nyakláncok, csecsemők cumijának szalagja, stb.).
- + Maximális matracvastagság: 30mm.
- + NE használja a bölcsőt, ha bármely része hibás, rongált vagy hiányzik. Ha szükséges, forduljon a Joolz pótalkatrészekért és kapcsolódó dokumentációért. Ne cseréljen ki alkatrészeket.
- + Ügyeljen a bölcső (bölcső és függőágy) közvetlen közelében fennálló nyílt láng vagy más erős hőforrás veszélyeire, ilyen például az elektromos láng, gáztól származó láng stb.
- + Az egyenetlen felületek instabilitást okozhatnak a termékben.

## KARBANTARTÁSRA/MOSÁSRA VONATKOZÓ UTASÍTÁSOK

A textíliák kivehetők, mosógépben moshatók. Friss vízzel öblítse át, és hagyja megszáradni. Soha ne használjon öblítőt vagy egyéb vegyszereket. Rendszeresen (nagyjából havonta egyszer) a kerekeket és a fém alkatrészeket kezelje teflon- vagy szilikon spray-vel, így biztosítva a babakocsi egyenletes gördülését.



Az Geo<sup>3</sup> babakocsi alumínium alkatrészein olyan bevonat található, ami megvédi azt a külső hatásoktól, például a rozsdásodástól. A bevont alumínium alkatrészek érzékenyek a savas tisztítószerre vagy kenőzsírokra. Ezek foltot hagyhatnak vagy az alumínium alkatrészek elszíneződését okozhatják. Ezért azt ajánljuk, hogy a babakocsi alumínium alkatrészeit langyos vízzel és puha törlőkendővel tisztítsa.

A biztonság fontos szempont a Joolz Geo<sup>3</sup> babakocsi tervezése során. Ezért a termékeink megfelelnek az alábbiakban felsorolt szabványoknak:

Europe:  
EN1888-2:2018 & EN 1466:2014/AC:2015  
United States:  
ASTM F833-2I, ASTM F2050-19  
Canada: SOR/2016-167  
Australia: AS/NZS 2088:2013

Ha kérdése van, ill. szeretne visszajelzést adni, akkor kérjük, látogasson el a [joolz.com](http://joolz.com) oldalra, a [facebook.com/myjoolz](https://facebook.com/myjoolz) oldalra vagy vegye fel velünk a kapcsolatot.

## **VAROVANIE**

- + Sedačka je určená pre deti od 6 mesiacov do 4 rokov, ALEBO maximálne do hmotnosti 22 kg v hornej polohe a 15 kg v dolnej polohe, pri maximálnej výške 100 cm, podľa toho, ktorú hodnotu dieťa dosiahne skôr.
- + Táto sedačka nie je vhodná pre deti mladšie ako 6 mesiacov.
- + Vanička je vhodná pre dieťa, ktoré nemôže sedieť samo, nemôže sa prevrútiť, vytlačiť sa hore, dvíhať sa na ruky a kolená. Maximálna hmotnosť dieťaťa: 9 kg/20 lbs.
- + Tento výrobok nie je vhodný pre beh alebo korčuľovanie.
- + Nikdy nenechávajte dieťa bez dozoru.
- + Aby nedošlo k zraneniu sa uistite, že vaše dieťa/deti je/sú pri nastavovaní, rozkladaní a skladaní tohto výrobku v bezpečí.
- + Pri skladaní alebo rozkladaní športového kočíku/kočíku dávajte pozor na uviaznutie prstov. Je treba dávať pozor.
- + Dajte pozor na riziko vážneho poranenia v dôsledku pádu alebo sklznutia. Vždy používajte zadržovací systém.
- + Uistite sa, že sú všetky mechanické zámky pred použitím aplikované.
- + Pred použitím skontrolujte, či je zariadenie na upevnenie vaničky, sedačky alebo auto sedačky správne zapojené.
- + Vanička Joolz Geo<sup>3</sup> a sedačka sú kompatibilné iba s Joolz Geo<sup>3</sup> podvozkom a naopak.
- + Akákoľvek záťaž pripevnená na rukoväť a/alebo na zadnú stranu chrbtovej opierky a/alebo na boky vozíka bude mať dopad na stabilitu vozíka.
- + Balíčky alebo doplnkové položky, či oboje, umiestnené na jednotke môžu spôsobiť jej nestabilitu. Nadmerná hmotnosť môže spôsobiť rizikové nestabilné podmienky.
- + Do vaničky či sedačky sa smie vždy dávať iba jedno dieťa súčasne.
- + Používajte iba auto sedačky, náhradné či doplnkové diely a príslušenstvo, ktoré dodala alebo schválila spoločnosť Joolz.
- + Nepoužívajte žiadne vankúše, cumlíky či dodatočné matrace na vypchatie, ktoré nedodala či neschválila spoločnosť Joolz.
- + Auto sedačky používané v kombinácii s podvozkom, nenahrádzajú vaničku alebo posteľ. Pokiaľ vaše dieťa potrebuje spať, je treba ho dať do vhodnej kolísky, postelky či schválenej spacej oblasti, podľa potrieb vášho dieťaťa.
- + Pravidelne kontrolujte prípadné poškodenie alebo opotrebovanie podvozku kočíka, vaničky, sedačky a príslušenstva.
- + Nepoužívajte kočík, ak sú niektoré z dielov poškodené, natrhnuté alebo chýbajú.
- + Vždy použite otočný zámok na predné kolesá pred skladaním kočíka. Ak tak neurobíte, môže dôjsť k deformácii pneumatík, a to najmä v horúcom prostredí.



- + Brzdy by mali byť pri vkladaní a vyberaní detí vždy zatiahnuté.
- + Uistite sa, že je pri brzdení brzdový pedál úplne zošliapnutý.
- + Maximálna hmotnosť v nákupnom koši je 33 lbs/15 kg.
- + Dávajte pozor, aby dieťa do kočíka neliezlo.
- + Nedovoľte, aby sa vaše dieťa/deti hralo/i s týmto výrobkom.

## **VAROVANIE**

### **PRE VANIČKU**

- + Vanička Joolz Geo<sup>3</sup> je vhodná pre dieťa, ktoré nemôže sedieť samo, nemôže sa prevrátiť, vytlačiť sa hore, dvíhať sa na ruky a kolena. Maximálna hmotnosť dieťaťa: 9 kg/20 lbs.
- + Nikdy nenechávajte dieťa bez dozoru.
- + Tento výrobok je vhodný iba pre dieťa, ktoré nemôže sedieť bez pomoci.
- + Používajte len na pevnom, vodorovnom rovnom a suchom povrchu.
- + Nenechajte ostatné deti hrať sa bez dozoru v blízkosti vaničky.
- + Nepoužívajte vaničku, ak je niektorá jej časť zlomená, zatrhnutá alebo chýba.
- + Používajte iba náhradné či doplnkové diely a príslušenstvo, ktoré dodala alebo schválila spoločnosť Joolz.
- + Používajte iba matrace dodávané spoločnosťou Joolz. Nedávajte ďalšiu matrac na matrace dodané spoločnosťou Joolz.

- + Výrobok Joolz Geo<sup>3</sup> udržiujte mimo dosah otvoreného ohňa a ďalších zdrojov tepla.
- + Rukoväte a spodná časť vaničky by mali byť pravidelne prekontrolovať z hľadiska poškodenia a opotrebovania.
- + Pred použitím vždy skontrolujte, či je nárazník správne zapojený k vaničke.
- + Hlava dieťaťa vo vaničke by nikdy nemala byť nižšie ako telo dieťaťa.
- + Prehriatie môže ohroziť život vášho dieťaťa! Prihliadnite k teplote prostredia a oblečeniu dieťaťa a dávajte pozor, aby dieťaťu nebolo príliš teplo či chladno.

### **PRE POUŽITIE VÝROBKU AKO POSTIELKY.**

Tento výrobok je určený pre deti do 6 mesiacov, 9 kg alebo dovtedy, kým zvládnu sedieť bez opory, zdvihnúť sa zo zeme alebo liezť po rukách a po kolenách. EN I130:2019 & EN I6890:2021

## VAROVANIE

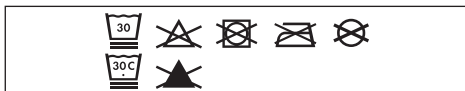
- + Výrobok nepoužívajte bez toho, aby ste si najskôr prečítali pokyny na použitie.
- + Výrobok prestaňte používať, len čo dieťa zvládne sedieť, kľačať alebo sa zdvihnúť zo zeme. Potom by sa mala použiť dolná poloha.
- + Ak budete k výrobku pridávať ďalšie predmety, môže to spôsobiť udusenie.
- + Nekladajte výrobok do blízkosti iného výrobku, pretože by to mohlo predstavovať nebezpečenstvo udusenia (ide napr. o vlákna, šnúrky z roliet/ záclon a pod.).
- + Do výrobku, ako je lôžko (postiel'ka a závesná posteľ) nekladajte viac ako jeden matrac.
- + Používajte iba matrac, ktorý sa predáva s touto postiel'kou a nekladajte naň ďalší matrac, pretože hrozí nebezpečenstvo udusenia.

## DODATOČNÉ INFORMÁCIE

- + Výrobok treba umiestniť na rovnú plochu.
- + V blízkosti postiel'ky by sa deti nemali hrať bez dozoru.
- + Ak je dieťa ponechané bez dozoru postiel'ku treba zaistiť v pevnej polohe.
- + Hrozí nebezpečenstvo udusenia: Všetky montážne úchyty musia byť za každých okolností poriadne dotiahnuté a treba sa postarať o to, aby neboli uvoľnené skrutky, pretože by si mohlo do nich dieťa zachytiť časť tela alebo oblečenia (napr. vlákna, príviesky, stužky z cumlíkov a pod.).
- + Maximálna hrúbka matraca: 30 mm.
- + Postiel'ku **NEPOUŽÍVAJTE**, ak určité diely chýbajú, sú poškodené alebo zlomené. V prípade potreby požiadajte spoločnosť Joolz o náhradné diely a návody na použitie. Nepoužívajte iné ako originálne náhradné diely.
- + Dávajte pozor na nebezpečenstvo otvoreného ohňa a iných zdrojov veľkého tepla v blízkosti prenosného lôžka (postiel'ky a závesnej posteľe), ako sú napríklad elektrické ohrievače, plynové ohrievače atď.
- + Nerovnomerné povrchy môžu spôsobiť nestabilitu produktu.

## NÁVOD NA ÚDRŽBU/UMÝVANIE

Látky sú snímateľné a možno ich prať v práčke. Opláchnite vlažnou vodou a nechajte uschnúť. Nikdy nepoužívajte bielidlá alebo iné chemické čistiace prostriedky. Pravidelne (približne raz za mesiac) namažte kolesá a kovové diely s teflónovým alebo silikónovým sprejom s cieľom zabezpečiť aby kočík hladko fungoval.



Hliníkové časti vášho kočíka Geo<sup>3</sup> sú eloxované, aby bol chránený pred vonkajšími vplyvmi, ako je korózia. Časti z eloxovaného hliníka sú citlivé na kyslé prostredie alebo masť, ktoré môžu spôsobiť škvrny a zafarbenie hliníkových dielov. Preto vám odporúčame očistiť hliníkové časti vášho kočíka s teplou vodou a mäkkou handričkou.

Bezpečnosť bola pri celom vývoji kočíku a vaničky Joolz Geo<sup>3</sup> dôležitým hľadiskom. Preto naše výrobky spĺňajú nasledovné bezpečnostné normy:

Europe:  
EN1888-2:2018 & EN 1466:2014/AC:2015  
United States:  
ASTM F833-2I, ASTM F2050-19  
Canada: SOR/2016-167  
Australia: AS/NZS 2088:2013

Navštívte [joolz.com](http://joolz.com), [facebook.com/myjoolz](https://facebook.com/myjoolz) alebo sa obráťte na svojho predajcu pre prípadné otázky a/alebo pripomienky.

## ΠΡΟΕΙΔΟΠΟΙΗΣΗ

- + Το κάθισμα προορίζεται για παιδιά ηλικίας 6 μηνών έως 4 ετών, Η βάρους έως και 22 κιλών στην πάνω θέση και 15 κιλών στην κάτω θέση και ύψους έως και 100 cm. Ανάλογα με τη συνθήκη που θα εκπληρωθεί πρώτη.
- + Αυτό το κάθισμα δεν είναι κατάλληλο για παιδιά κάτω των 6 μηνών.
- + Η καλαθούνα είναι κατάλληλη για παιδιά που δεν μπορούν να καθίσουν χωρίς βοήθεια, να γυρίσουν ανάποδα και να στηριχθούν στα χέρια και τα πόδια τους. Μέγιστο βάρος παιδιού: 9 kg/20 lbs.
- + Μην χρησιμοποιείτε το προϊόν αυτό όταν κάνετε τζόκινγκ ή όταν φοράτε πατίνια.
- + Μην αφήνετε ποτέ ένα παιδί χωρίς επιτήρηση.
- + Για την αποφυγή τραυματισμού, βεβαιωθείτε ότι το παιδί/ τα παιδιά σας δεν βρίσκονται κοντά όταν ρυθμίζετε, ανοίγετε ή κλείνετε το προϊόν.
- + Μπορεί να παγιδευτούν τα δάχτυλά σας κατά το άνοιγμα ή κλείσιμο στο καρότσι. Πρέπει να είστε ιδιαίτερα προσεκτικοί.
- + Αποφύγετε σοβαρούς τραυματισμούς από πτώσεις ή ολισθήσεις. Χρησιμοποιείτε πάντα το σύστημα πρόσδεσης.
- + Βεβαιωθείτε ότι έχουν ενεργοποιηθεί όλες οι διατάξεις ασφάλισης πριν από τη χρήση.
- + Ελέγχετε ότι οι διατάξεις σύνδεσης της καλαθούνας, του καθίσματος ή του καθίσματος αυτοκινήτου έχουν ασφαλίσει σωστά πριν από τη χρήση
- + Οι διατάξεις της καλαθούνας και των καθισμάτων Joolz Geo<sup>3</sup> είναι συμβατές μόνο με τον σκελετό Joolz Geo<sup>3</sup> και αντίστροφα.
- + Οποιοδήποτε φορτίο προσαρτημένο στη ράβδο ώθησης και/ ή στο πίσω μέρος της πλάτης και/ή στις πλευρές του συστήματος μεταφοράς θα επηρεάσουν τη σταθερότητα του συστήματος μεταφοράς.
- + Τα δέματα ή τα αξεσουάρ ή και τα δύο, που τοποθετούνται στη διάταξη μπορεί να προκαλέσουν αστάθεια στη διάταξη. Το υπερβολικό βάρος μπορεί να προκαλέσει επικίνδυνη ασταθή κατάσταση.
- + Η διάταξη της καλαθούνας ή του καθίσματος μπορεί να μεταφέρει μόνο ένα παιδί κάθε φορά
- + Χρησιμοποιείτε μόνο καθίσματα αυτοκινήτου, αντικαταστάσεις ή ανταλλακτικά και αξεσουάρ που παρέχονται ή εγκρίνονται από την Joolz.
- + Μην χρησιμοποιείτε μαξιλάρια, παπλώματα ή πρόσθετα στρώματα για επιθέματα που δεν παρέχονται ή εγκρίνονται από την Joolz.
- + Τα καθίσματα αυτοκινήτου που χρησιμοποιούνται μαζί με σκελετό δεν αντικαθιστούν ένα λίκνο ή κρεβάτι. Αν το παιδί σας πρέπει να κοιμηθεί, τότε πρέπει να το βάλετε σε κατάλληλη κούνια, κρεβάτι ή εγκεκριμένη περιοχή ύπνου βάσει των απαιτήσεων του παιδιού σας.
- + Ελέγχετε τακτικά τον σκελετό του καροτσιού, την καλαθούνα, τη διάταξη του καθίσματος και τα αξεσουάρ για σημάδια ζημιάς και φθοράς.

- + Μη χρησιμοποιείτε το καρότσι αν οποιοδήποτε τμήμα του είναι φθαρμένο, σχισμένο ή λείπει.
- + Εφαρμόζετε πάντα την ασφάλεια περιστροφής στους μπροστινούς τροχούς πριν διπλώσετε το καρότσι. Σε αντίθετη περίπτωση ενδέχεται να προκληθεί παραμόρφωση στα ελαστικά, ειδικά σε ζεστό περιβάλλον.
- + Τα φρένα πρέπει να είναι πάντοτε ασφαλισμένα κατά την τοποθέτηση και την απομάκρυνση των παιδιών.
- + Βεβαιωθείτε ότι το πετάλι πέδης είναι πλήρως πατημένο όταν χρησιμοποιείτε την πέδη.
- + Το μέγιστο βάρος για το καλάθι αγορών είναι 15 kg/33 lbs.
- + Βεβαιωθείτε ότι τα παιδιά δεν σκαβαλώνουν στο καρότσι.
- + Μην αφήνετε τα παιδιά σας να παίζουν με το προϊόν αυτό.

## ΠΡΟΕΙΔΟΠΟΙΗΣΗ

### ΣΧΕΤΙΚΑ ΜΕ ΤΗΝ ΚΑΛΑΘΟΥΝΑ

- + Η καλαθούνα Joolz Geo<sup>3</sup> είναι κατάλληλη μόνο για παιδιά που δεν μπορούν να καθίσουν χωρίς βοήθεια, να γυρίσουν ανάποδα και να στηριχθούν στα χέρια και τα πόδια τους. Μέγιστο βάρος παιδιού: 9 kg/20 lbs.
- + Μην αφήνετε ποτέ ένα παιδί χωρίς επιτήρηση.
- + Το προϊόν αυτό είναι κατάλληλο μόνο για παιδιά που δεν μπορούν να καθίσουν χωρίς βοήθεια.
- + Χρησιμοποιείτε το μόνο σε σταθερή, οριζόντια και στεγνή επιφάνεια.
- + Μην αφήνετε άλλα παιδιά να παίζουν χωρίς επιτήρηση κοντά στην καλαθούνα.
- + Μη χρησιμοποιείτε την καλαθούνα σε περίπτωση που κάποιο τμήμα της έχει σπάσει, σχιστεί ή λείπει.
- + Χρησιμοποιείτε μόνο προϊόντα αντικατάστασης, ανταλλακτικά και αξεσουάρ που παρέχονται ή εγκρίνονται από την Joolz.
- + Χρησιμοποιείτε μόνο το στρώμα που παρέχεται από τη Joolz. Μην τοποθετείτε πρόσθετο στρώμα πάνω στο στρώμα που παρέχεται από την Joolz.
- + Φυλάσσετε την Joolz Geo<sup>3</sup> μακριά από εστίες ανοικτής φωτιάς και άλλες πηγές θερμότητας.
- + Θα πρέπει να ελέγχετε τακτικά τις λαβές και το κάτω μέρος της καλαθούνας για ενδείξεις ζημιάς και φθοράς.
- + Να βεβαιώνετε πάντοτε ότι η προστατευτική μπάρα είναι σωστά ασφαλισμένη στη διάταξη της καλαθούνας πριν από τη χρήση.
- + Το κεφάλι του παιδιού στην καλαθούνα δεν πρέπει ποτέ να βρίσκεται πιο χαμηλά απ' ό,τι το σώμα του.
- + Η υπερβολική θέρμανση μπορεί να θέσει σε κίνδυνο τη ζωή του παιδιού σας! Λαμβάνετε υπόψιν τη θερμοκρασία του περιβάλλοντος και τα ρούχα του παιδιού και φροντίστε ώστε το παιδί να μην είναι ούτε πολύ κρύο ούτε πολύ ζεστό.

## ΓΙΑ ΧΡΗΣΗ ΤΟΥ ΠΡΟΪΟΝΤΟΣ ΩΣ ΚΟΥΝΙΑ.

Το προϊόν αυτό προορίζεται για βρέφη, από τη γέννησή τους και έως 6 μηνών, 9kg, ή έως ότου μπορέσουν να καθίσουν χωρίς βοήθεια ή να σηκωθούν στηριζόμενα σε αντικείμενο ή στηριζόμενα στα χέρια και στα γόνατά τους. EN 1130:2019 & EN 16890:2021

## ΠΡΟΕΙΔΟΠΟΙΗΣΗ

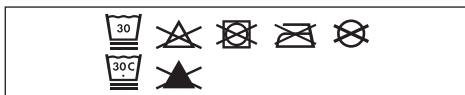
- + Μην χρησιμοποιείτε το προϊόν αυτό χωρίς να διαβάσετε πρώτα τις οδηγίες χρήσης.
- + Διακόψτε τη χρήση του προϊόντος αμέσως μόλις το παιδί μπορέσει να καθίσει ή να γονατίσει ή να σηκωθεί μόνο του στηριζόμενο. Στην περίπτωση αυτή, θα πρέπει να χρησιμοποιείται η κατώτερη θέση.
- + Η τοποθέτηση επιπλέον αντικειμένων στο προϊόν ενδέχεται να προκαλέσει πνιγμό.
- + Μην τοποθετείτε το προϊόν κοντά σε άλλο προϊόν, το οποίο θα μπορούσε να προκαλέσει κίνδυνο πνιγμού ή στραγγαλισμού, π.χ. Κορδόνια, κουρτίνες/ κορδέλες κουρτινών, κτλ.
- + Μην χρησιμοποιείτε πέραν του ενός στρώματα στο προϊόν, στο βρεφικό κρεβάτι (κούνια και αιωρούμενο λίκνο).
- + Χρησιμοποιήστε μόνο το στρώμα που πωλείται μαζί με αυτή την κούνια, μην προσθέτετε δεύτερο στρώμα επάνω σε αυτό, κίνδυνος πνιγμού

## ΕΠΙΠΛΕΟΝ ΠΛΗΡΟΦΟΡΙΕΣ

- + Το προϊόν πρέπει να τοποθετηθεί σε οριζόντιο δάπεδο.
- + Δεν επιτρέπεται στα παιδιά να παίζουν χωρίς επίβλεψη κοντά στην κούνια.
- + Η κούνια πρέπει να κλειδώνεται στη σταθερή θέση όταν το παιδί αφήνεται χωρίς επίβλεψη.
- + Κίνδυνος στραγγαλισμού: Όλα τα εξαρτήματα συναρμολόγησης θα πρέπει πάντα να σφίγγονται σωστά και θα πρέπει να λαμβάνεται μέριμνα ώστε να μην είναι χαλαρές βίδες, γιατί ένα παιδί μπορεί να παγιδεύσει μέρη του σώματος ή των ρούχων (π.χ. κορδόνια, κολιέ, κορδέλες για τα ανδρείκελα μωρών κ.λπ.
- + Μέγιστο πάχος στρώματος: 30mm.
- + ΜΗΝ χρησιμοποιείτε κούνια εάν λείπουν, έχουν καταστραφεί ή έχουν σπάσει κάποια εξαρτήματα. Επικοινωνήστε με την Joolz για ανταλλακτικά και εκπαιδευτική βιβλιογραφία εάν χρειάζεται. Μην αντικαθιστάτε εξαρτήματα.
- + Να είστε ενήμεροι για τον κίνδυνο ανοιχτής πυρκαγιάς και άλλων πηγών ισχυρής θερμότητας, όπως πυρκαγιές σε ηλεκτρικές μπάρες, πυρκαγιές αερίου κ.λπ. κοντά στην κούνια (κούνια και κρεμαστό κρεβάτι)
- + Ανώμαλες επιφάνειες μπορεί να προκαλέσουν αστάθεια του προϊόντος.

## ΣΥΝΤΗΡΗΣΗ/ΟΔΗΓΙΕΣ ΠΛΥΣΙΜΑΤΟΣ

Τα υφάσματα αφαιρούνται και πλένονται στο πλυντήριο. Ξεπλύνετε με καθαρό νερό και αφήστε να στεγνώσει. Μην χρησιμοποιείτε ποτέ χλωρίνη ή άλλα χημικά απορρυπαντικά. Ανά τακτά χρονικά διαστήματα (περίπου μία φορά το μήνα) να χρησιμοποιείτε Teflon ή σπρέι σιλικόνης στους τροχούς και τα μεταλλικά μέρη, για να διασφαλίζετε την ομαλή κίνηση του καροτσιού.



Τα μέρη του καροτσιού Geo<sup>3</sup> από αλουμίνιο είναι ανοδιωμένα για να προστατεύονται από εξωτερικές επιδράσεις όπως η διάβρωση. Τα μέρη από επικαλυμμένο αλουμίνιο είναι ευάλωτα σε όξινα καθαριστικά ή γράσο, τα οποία μπορεί να προκαλέσουν λεκέδες και αποχρωματισμούς στα μέρη από αλουμίνιο. Συνεπώς, συνιστάται να καθαρίζετε τα μέρη του καροτσιού από αλουμίνιο με ζεστό νερό και ένα μαλακό πανί.

Η ασφάλεια ήταν σημαντικός παράγοντας σε ολόκληρο το σχεδιασμό του καροτσιού Joolz Geo<sup>3</sup>. Τα προϊόντα μας επομένως πληρούν τα παρακάτω πρότυπα ασφαλείας:

Europe:  
EN1888-2:2018 & EN 1466:2014/AC:2015  
United States:  
ASTM F833-2I, ASTM F2050-19  
Canada: SOR/2016-167  
Australia: AS/NZS 2088:2013

Επισκεφτείτε τις διευθύνσεις [joolz.com](http://joolz.com), [facebook.com/myjoolz](https://facebook.com/myjoolz) ή επικοινωνήστε με το μεταπωλητή σας για τυχόν ερωτήσεις ή/και σχόλια.

Joolz

# Warranty policy







Scan me

# Index

en	WARRANTY	74	uk	ГАРАНТІЯ	SCAN ME
de	GARANTIE	78	ee	GARANTII	SCAN ME
nl	GARANTIE	82	lv	GARANTIJA	SCAN ME
fr	GARANTIE	86	it	GARANTIJA	SCAN ME
es	GARANTÍA	90	sl	GARANCIJA	SCAN ME
pt	GARANTIA	SCAN ME	hr	JAMSTVO	SCAN ME
it	GARANZIA	SCAN ME	cs	ZÁRUKA	SCAN ME
sv	GARANTI	SCAN ME	bg	ГАРАНЦИЯ	SCAN ME
no	GARANTI	SCAN ME	ro	GARANȚIE	SCAN ME
fi	TAKUU	SCAN ME	sr	GARANCIJA	SCAN ME
da	GARANTII	SCAN ME	hu	GARANCIA	SCAN ME
ru	ГАРАНТИЯ	SCAN ME	sk	ZÁRUKA	SCAN ME
pl	GWARANCJA	SCAN ME	gr	ΕΓΓΥΗΣΗ	SCAN ME

# Standard 2-year manufacturer's warranty

## JOOLZ STANDARD WARRANTY

The manufacturer, Milk Design BV, with its main establishment in Amsterdam (hereinafter referred to as: 'Joolz'), provides its strollers and accessories (hereinafter jointly and severally referred to as the 'Product') under a warranty that is subject to the following conditions:

1. The manufacturer's warranty period is 24 months from the date of purchase as indicated on the sales receipt. The remaining warranty period for the original product applies to a replacement part or product, or a repaired product.
2. This manufacturer's warranty applies only in the region in which the product was purchased.  
  
Joolz only guarantees that the product complies with legal provisions or government regulations that apply in the area where the product is sold.  
  
Joolz reserves the right to apply a different manufacturer's warranty in those specific areas.  
  
This manufacturer's warranty applies only to a product purchased for private use.  
  
This manufacturer's warranty expressly does not apply to any product used for commercial purposes, including but not limited to products for commercial rental.
3. This manufacturer's warranty entitles the consumer to have the product repaired unless Joolz is of the opinion that the product needs to be replaced.
4. Joolz reserves the right to discontinue certain models, colours, fabrics or accessories. In the event of replacement during the warranty period, consumers will receive another equivalent product in a similar colour or fabric. Joolz also reserves the right to replace a complete chassis or to provide reconditioned parts as a replacement.
5. In order to submit a claim under the manufacturer's warranty, you must provide Joolz with the following:
  - a copy of the dated sales receipt;
  - a clear description of the complaint, and
  - the defective product or photographs of the defective part or product.
6. The manufacturer's warranty does not affect your statutory rights, such as the right to hold the retailer liable for defects.

## WHAT IS COVERED BY THE MANUFACTURER'S WARRANTY?

The manufacturer's warranty on the product covers the following:

- all manufacturing defects of the chassis, frame, and wheels;
  - all manufacturing defects of the adapters;
  - zips;
  - all parts of the harness of your Joolz stroller;
  - seams in the fabric;
  - Velcro fasteners;
  - colour fastness. Discolouration that can be regarded as normal wear and tear is excluded. Prolonged exposure to sunlight may lead to some discolouration and is considered normal wear and tear.
- Damage caused by incorrect use or failure to observe the instructions for use.
  - Damage resulting from repairs carried out by unauthorized persons or from incorrect dismantling of the product.
  - Transport damage resulting from transport by aeroplane or other means of transport: check your Joolz product carefully after it has been transported by the airline or another carrier. In the event of damage, consumers should file a claim with the carrier immediately.
  - Customer dissatisfaction with the product with regard to fit, weight, functionality, colour or design.

## THE MANUFACTURER'S WARRANTY IS NOT APPLICABLE IN THE FOLLOWING CIRCUMSTANCES:

- If you have modified or repaired the product yourself, or had it repaired, without prior written permission of Joolz or the retailer. In the event of repair by a conscious point of Joolz, the manufacturer's warranty will continue to apply.
- Defects caused by neglect, negligence, or an accident and/or by use or maintenance other than as described in the instructions for use.
- If the serial number is damaged or removed.
- Damage to the product due to normal wear and tear.
- Incorrect assembly or installation of a third-party part or accessory that is not compatible with the product.
- Unintentional or accidental damage, abnormal use, or inadequate maintenance.
- Improper storage/care of the product.
- Damage to the handlebar or fabric as a result of normal daily use of the product.
- Holes or cracks in the tyres.

# 8-year extra warranty

## EXTENDED WARRANTY

All Joolz strollers and buggies registered on [joolz.com](http://joolz.com) from the 1st September 2022 onwards will receive an extra warranty for eight years provided the stroller is registered within six months of purchase. For an extra warranty, Joolz (as manufacturer) guarantees consumers that the product is free from defects in materials and workmanship, and guarantees normal operation under normal conditions in accordance with user manuals and technical specifications for an extra eight years beyond the standard warranty. In all cases, the sales receipt must be presented when making a warranty claim.

The manufacturer's warranty applies only in the region in which the product was purchased.

## THE WARRANTY MAY INCLUDE:

- Replacement parts that can be easily used by the consumer or retailer.
- Joolz only supplies components that have been thoroughly tested and that can be fitted easily with or without instructions.
- Joolz only replaces products with similar ones. Nevertheless, Joolz reserves the right to discontinue certain models, colours, fabric, or accessories. In the event of replacement during the warranty period, consumers will receive another equivalent product in a similar colour or fabric.
- Replacements do not entitle consumers to an extension of the warranty period.
- The Joolz warranty also covers defects to Joolz products that have been bought second hand, provided that the stroller has been transferred after the purchase and registered on [joolz.com](http://joolz.com).
- The replacement product does not entitle consumers to an extension of the warranty period.

## WHAT IS COVERED BY THE EXTENDED WARRANTY?

- The warranty is valid for all Joolz strollers and Joolz Aer sold on or after 1 September 2022. The free extra warranty covers the following:
- All factory defects involving the chassis, bassinet frames, seat frames, plastic chair parts, and wheels.

## WHAT IS NOT COVERED BY THE EXTENDED WARRANTY?

- Normal wear and tear;
- Corrosion or rust formation on the wheels and chassis due to extreme environmental conditions, including high humidity, salt, ice, or snow or due to inadequate maintenance;
- Incorrect assembly or installation of a third-party part or accessory that is not compatible with the original design;
- Unintentional or deliberate damage, misuse, or neglect;
- Improper storage or care of the product;
- Damage to the grips of the handlebar or to the fabric as a result of normal or daily use;
- Whenever the product has not been used in the normal way and in accordance with the manufacturer's instructions;
- If a repair or modification has been performed by an unauthorized person or if the product has been disassembled without Joolz's consent;
- Airport/transport damage: check your Joolz product carefully after it has been transported by an airline or other carrier and submit any claim directly to the respective carrier;
- Consumer dissatisfaction with the product concerning suitability, weight, functionality, colour, or style;
- If the serial number is damaged or removed.

Joolz reserves the right to change the conditions of the extra warranty at any time.

## IMPORTANT

The manufacturer's warranty period for this product is 24 months from the purchase date indicated on the receipt. The receipt should be kept in a safe place and a copy made. If you submit a claim under this warranty, please contact the shop where you purchased the product first.

If the retailer cannot repair the defect or if you bought the product directly from Joolz, please contact Joolz by sending an e-mail to [info@joolz.com](mailto:info@joolz.com).

For complaints that occur outside the warranty period, please also first contact the shop where you bought the product.

Joolz reserves the right to change the conditions of this manufacturer's warranty. You will find the conditions of the latest manufacturer's warranty on our website: [joolz.com/warranty](http://joolz.com/warranty)

## REPLACEABLE PARTS

We pride ourselves on manufacturing high-quality products that meet the highest quality standards. Please contact your retailer whenever you need to replace a part of your Joolz product. Or purchase available parts directly via [joolz.com](http://joolz.com)

# Standardmäßige zweijährige Herstellergarantie

## STANDARDGARANTIE VON JOOLZ

Der Hersteller, Milk Design BV, mit Hauptsitz in Amsterdam, Niederlande (im Folgenden als „Joolz“ bezeichnet), liefert seine Kinderwagen und Accessoires (im Folgenden gemeinsam und einzeln als „Produkt“ bezeichnet) im Rahmen einer Garantie aus, für die die folgenden Bedingungen gelten:

1. Die Herstellergarantie hat eine Laufzeit von 24 Monaten ab dem Kaufdatum, das auf der Quittung steht. Die restliche Garantiezeit für das ursprüngliche Produkt gilt für ein Ersatzteil eines Produkts oder für ein repariertes Produkt.
2. Die Herstellergarantie gilt lediglich in der Region, in der das Produkt erworben wurde.

Joolz gewährleistet ausschließlich, dass das Produkt den gesetzlichen Bestimmungen und/oder behördlichen Vorschriften entspricht, die in dem Gebiet gelten, in dem das Produkt erworben wurde.

Joolz behält sich das Recht vor, in diesen spezifischen Gebieten eine andere Herstellergarantie anzuwenden.

Diese Herstellergarantie gilt ausschließlich für Produkte, die für den Privatgebrauch erworben wurden.

Diese Herstellergarantie gilt ausdrücklich nicht für gewerblich genutzte Produkte, einschließlich, aber nicht beschränkt auf Produkte zur gewerblichen Vermietung.

3. Die Herstellergarantie umfasst einen Anspruch auf Reparatur, es sei denn, Joolz ist der Ansicht, dass das Produkt ersetzt werden muss.

4. Joolz behält sich das Recht vor, bestimmte Modelle, Farben, Bezüge oder Accessoires aus dem Sortiment zu nehmen. Bei einem Austausch innerhalb der Garantiezeit erhalten Verbraucher in einem solchen Fall ein anderes, gleichwertiges Produkt mit einer vergleichbaren Farbe oder einem vergleichbaren Bezug. Joolz behält sich ferner das Recht vor, das komplette Gestell zu ersetzen oder überholte Ersatzteile zu senden.
5. Damit Sie die Herstellergarantie in Anspruch nehmen können, benötigt Joolz Folgendes:
  - eine Kopie der datierten Quittung
  - eine umfassende Beschreibung der Beschwerde, und
  - das defekte Produkt und/oder Fotos des defekten Teils oder Produkts.
6. Die Herstellergarantie hat keine Auswirkung auf gesetzliche Rechte, zum Beispiel das Recht, den Einzelhändler für die Defekte haftbar zu machen.

## WAS FÄLLT UNTER DIE HERSTELLERGARANTIE?

Die Herstellergarantie gilt für das Produkt und deckt Folgendes ab:

- sämtliche Fertigungsfehler des Gestells, des Rahmens und der Räder
- sämtliche Herstellungsfehler der Adapter
- Reißverschlüsse
- sämtliche Teile des Gurtes in Ihrem Joolz Kinderwagen
- die Nähte des Bezugs
- Klettverschlüsse
- Farblichkeit. Verfärbungen, die auf gewöhnlichen Verschleiß zurückzuführen sind, sind von der Garantie ausgeschlossen. Längere Sonneneinstrahlung kann Verfärbungen verursachen und fällt unter gewöhnlichen Verschleiß.

## **DIE HERSTELLERGARANTIE ERLISCHT IN DEN FOLGENDEN FÄLLEN:**

- Anpassungen oder Reparaturen am Produkt, die Sie ohne schriftliche Zustimmung von Joolz oder des Einzelhändlers vorgenommen haben oder haben vornehmen lassen. Die Herstellergarantie bleibt bestehen, wenn die Reparatur von einem Joolz Conscious Point vorgenommen wurde.
  - Defekte, die auf Unachtsamkeit, Nachlässigkeit, Unfall und/oder Verwendung oder Wartung entgegen der Gebrauchsanleitung zurückzuführen sind.
  - Die Seriennummer ist beschädigt oder wurde entfernt.
  - Schäden am Produkt, die auf gewöhnlichen Verschleiß zurückzuführen sind.
  - Falsche Montage eines Teils oder Accessoires oder Einbau eines Teils oder Accessoires, das von einem Drittanbieter stammt und nicht mit dem Produkt kompatibel ist.
  - Unbeabsichtigte oder zufällige Schäden, unsachgemäße Verwendung oder unzureichende Wartung.
  - Falsche Lagerung/Pflege des Produkts.
  - Schäden am Schiebegriff oder Bezug aufgrund der gewöhnlichen Verwendung des Produkts im Alltag.
  - Löcher oder Risse in den Reifen.
  - Schäden durch unsachgemäße Verwendung oder Nichtbeachtung der Gebrauchsanleitung.
  - Schäden aufgrund von Reparaturen, die von Unbefugten durchgeführt wurden, oder aufgrund einer falschen Demontage des Produkts.
- Transportschäden (beim Transport in einem Flugzeug oder einem anderen Transportmittel): Überprüfen Sie Ihr Joolz Produkt nach dem Transport durch eine Luftfahrtgesellschaft (oder einen anderen Transporteur) sorgfältig. Im Schadensfall müssen Sie Ihre Forderung unmittelbar beim Transporteur geltend machen.
  - Unzufriedenheit des Kunden mit dem Produkt aufgrund von Passform, Gewicht, Funktionalität, Farbe oder Design.

# 8 Jahre Zusatzgarantie

## ERWEITERTE GARANTIE

Für alle Joolz Kinderwagen und Buggys, die ab dem 1. September 2022 auf Joolz.com registriert werden, gilt eine achtjährige Zusatzgarantie, sofern der Kinderwagen innerhalb von sechs Monaten nach dem Kauf registriert wird. Mit der kostenlosen Zusatzgarantie gewährleistet Joolz (als Hersteller), dass das Produkt frei von Material- und Fertigungsfehlern ist und dass das Produkt unter normalen Bedingungen zusätzlich zur Standardgarantie gemäß den Gebrauchsanleitungen und technischen Spezifikationen für einen Zeitraum von acht Jahren normal funktioniert. Wenn Sie eine Garantieforderung stellen, müssen Sie grundsätzlich eine Quittung vorlegen.

Die Herstellergarantie gilt lediglich in der Region, in der das Produkt erworben wurde.

## DIE GARANTIE KANN FOLGENDES UMFASSEN:

- Ersatzteile, die vom Verbraucher oder Einzelhändler problemlos verwendet werden können
- Joolz liefert ausschließlich Ersatzteile, die gründlich getestet wurden und problemlos mit oder ohne Anleitung angebracht werden können.
- Joolz ersetzt Produkte ausschließlich durch vergleichbare Produkte. Dennoch behält Joolz sich das Recht vor, bestimmte Modelle, Farben, Bezüge oder Accessoires aus dem Sortiment zu nehmen. Bei einem Austausch innerhalb der Garantiezeit erhalten Verbraucher in einem solchen Fall ein anderes, gleichwertiges Produkt mit einer vergleichbaren Farbe oder einem vergleichbaren Bezug.
- Ersatzprodukte bieten keinen Anspruch auf Verlängerung der Garantiezeit.
- Die Garantie von Joolz erstreckt sich auch auf Defekte an Joolz-Produkten, die gebraucht erworben wurden, sofern der Kinderwagen nach dem Erwerb übertragen und auf Joolz.com registriert wurde.
- Ein Ersatzprodukt bietet keinen Anspruch auf Verlängerung der Garantiezeit.

## WAS FÄLLT UNTER DIE ERWEITERTE GARANTIE?

- Die Garantie gilt für alle Joolz Kinderwagen und Joolz Aer, die am oder nach dem 1. September 2022 verkauft werden. Die kostenlose Zusatzgarantie deckt Folgendes ab:
- Sämtliche Fertigungsfehler im Zusammenhang mit Gestell, Wannenrahmen, Sitzrahmen, Sitzteilen aus Kunststoff und Rädern.

## WAS FÄLLT NICHT UNTER DIE ERWEITERTE GARANTIE?

- Gewöhnlicher Verschleiß
- Korrosion oder Rost an den Rädern und am Gestell aufgrund extremer Umgebungsbedingungen, z.B. hohe Feuchtigkeit, Salz, Eis oder Schnee, oder unzureichender Wartung
- Falsche Montage eines Teils oder Accessoires oder Einbau eines Teils oder Accessoires, das von einem Drittanbieter stammt und nicht zum ursprünglichen Design passt
- Unbeabsichtigte oder vorsätzliche Beschädigung, Missbrauch oder Unachtsamkeit
- Unsachgemäße Lagerung/Pflege des Produkts
- Schäden an den Griffen der Schiebebügel oder am Bezug durch normale und/oder tägliche Verwendung
- Unsachgemäße Verwendung des Produkts oder Verwendung entgegen den Anweisungen des Herstellers
- Reparatur oder Veränderung des Produkts durch Unbefugte oder Demontage des Produkts ohne Zustimmung von Joolz



- Beschädigung am Flughafen/beim Transport:  
Überprüfen Sie Ihr Joolz-Produkt sorgfältig nach dem Transport durch eine Fluggesellschaft (oder einen anderen Transporteur) und stellen Sie Ihre Forderung unmittelbar an den jeweiligen Transporteur.
- Unzufriedenheit des Kunden mit Eignung, Gewicht, Funktionalität, Farbe oder Design.
- Die Seriennummer ist beschädigt oder wurde entfernt.

Joolz behält sich das Recht vor, die Bedingungen der erweiterten Garantie nach eigenem Ermessen zu ändern.

## WICHTIG

Die Herstellergarantie für dieses Produkt gilt für einen Zeitraum von 24 Monaten ab dem Erwerbsdatum, das auf der Quittung steht. Bewahren Sie die Quittung an einem sicheren Ort auf und erstellen Sie eine Kopie. Wenn Sie eine Forderung im Rahmen dieser Garantie stellen, wenden Sie sich bitte zunächst an das Geschäft, in dem Sie das Produkt erworben haben.

Wenn der Einzelhändler den Defekt nicht beheben kann oder wenn Sie das Produkt direkt bei Joolz erworben haben, senden Sie bitte eine E-Mail an [info@joolz.com](mailto:info@joolz.com)

Bei Mängeln, die innerhalb der Garantiezeit auftreten, wenden Sie sich bitte zunächst an das Geschäft, in dem Sie das Produkt erworben haben.

Joolz behält sich das Recht vor, die Bestimmungen dieser Herstellergarantie zu ändern. Sie finden die aktuellen Bestimmungen der Herstellergarantie auf unserer Website: [joolz.com/warranty](http://joolz.com/warranty)

## AUSTAUSCHBARE TEILE

Wir sind stolz auf unsere hochwertigen Produkte, die höchsten Qualitätsansprüchen genügen. Bitte wenden Sie sich an Ihren Einzelhändler, wenn ein Teil Ihres Joolz-Produktes ersetzt werden muss. Außerdem finden Sie verfügbare Ersatzteile auf [joolz.com](http://joolz.com)

# Standaard 2 jaar fabrieksgarantie

## JOOLZ STANDAARD GARANTIE

De fabrikant, Milk Design BV, met hoofdkantoor in Amsterdam (verder in dit document aangeduid als "Joolz"), levert haar kinderwagens en accessoires (verder in dit document gezamenlijk en afzonderlijk aangeduid als "product") onder garantie, onderworpen aan de volgende voorwaarden:

1. De fabrieksgarantieperiode is 24 maanden, gerekend vanaf de datum van aanschaf zoals aangegeven op het aankoopbewijs. De resterende garantieperiode voor het oorspronkelijke product geldt voor een vervangend onderdeel of product, of een gerepareerd product.
2. Deze fabrieksgarantie geldt alleen in de regio waarin het product is gekocht.

Joolz garandeert alleen dat het product voldoet aan de wettelijke bepalingen en/of overheidsvoorschriften die gelden in het gebied waarin het product is verkocht.

Joolz behoudt zich het recht voor op toepassing van een afwijkende fabrieksgarantie voor die specifieke gebieden.

Deze fabrieksgarantie geldt enkel voor een product dat wordt aangeschaft voor particulier gebruik.

Deze fabrieksgarantie geldt uitdrukkelijk niet voor een product dat wordt gebruikt voor commerciële doeleinden, inclusief maar niet beperkt tot producten voor commerciële verhuur.

3. De fabrieksgarantie geeft recht op reparatie tenzij Joolz van mening is dat vervanging van het product noodzakelijk is.

4. Joolz behoudt zich het recht voor bepaalde modellen, kleuren, bekledingen of accessoires niet langer te voeren. Bij vervanging tijdens de garantieperiode zullen consumenten in dat geval een ander gelijkwaardig product ontvangen met een vergelijkbare kleur of bekleding. Joolz behoudt zich tevens het recht voor om een compleet onderstel te vervangen of om gereviseerde onderdelen te sturen als vervanging.
5. Om aanspraak te kunnen maken op de fabrieksgarantie, moet je aan Joolz het volgende verstrekken:
  - een kopie van het gedateerde aankoopbewijs,
  - een duidelijke beschrijving van de klacht en
  - het defecte product en/of foto's van het defecte onderdeel of product.
6. De fabrieksgarantie heeft geen invloed op je wettelijke rechten, bijvoorbeeld het recht om de retailer aansprakelijk te stellen voor defecten.

## WAT VALT ER ONDER DE FABRIEKSGARANTIE?

De fabrieksgarantie is van toepassing op het product en dekt het volgende:

- alle fabricagefouten van het onderstel, het frame en de wielen;
- alle fabricagefouten van de adapters;
- ritsen;
- alle onderdelen van de gordel van je Joolz kinderwagen;
- naden in de bekleding;
- klittenbandsluitingen;
- kleurvastheid. Verkleuring die aan te merken is als normale slijtage is uitgesloten. Langdurige blootstelling aan zonlicht kan tot enige verkleuring leiden en valt onder normale slijtage.

## DE FABRIEKSGARANTIE KOMT IN DE VOLGENDE OMSTANDIGHEDEN TE VERVALLEN:

- Wanneer je het product zelf hebt aangepast of gerepareerd, of dit hebt laten doen, zonder schriftelijke toestemming vooraf van Joolz of de retailer. Bij reparatie door een Joolz conscious point wordt de fabrieksgarantie behouden.
- Defecten die zijn veroorzaakt door verwaarlozing, nalatigheid of een ongeval en/of door gebruik of onderhoud anders dan beschreven in de gebruiksaanwijzing.
- Als het serienummer is beschadigd of verwijderd.
- Schade aan het product als gevolg van normale slijtage.
- Onjuiste montage of de installatie van een onderdeel of accessoire van derden dat niet compatibel is met het product.
- Onbedoelde of onopzettelijke schade, abnormaal gebruik of onvoldoende onderhoud.

- Onjuiste opslag/verzorging van het product.
- Schade aan de duwbeugel of bekleding als gevolg van normaal dagelijks gebruik van het product.
- Gat en of scheuren in de banden.
- Schade door onjuist gebruik of door het niet naleven van de gebruiksaanwijzing.
- Schade als gevolg van reparaties die zijn uitgevoerd door onbevoegde personen of als gevolg van een onjuiste demontage van het product.
- Transportschade (bij vervoer in een vliegtuig of andere vervoersmiddelen): controleer je Joolz product zorgvuldig nadat dit door de luchtvaartmaatschappij (of een andere vervoerder) is getransporteerd. Dien bij schade onmiddellijk een claim in bij de vervoerder.

Ontevredenheid van de klant over het product met betrekking tot pasvorm, gewicht, functionaliteit, kleur of ontwerp.

# 8 jaar aanvullende garantie

## UITGEBREIDE GARANTIE

Alle Joolz kinderwagens en buggy's die vanaf 1 september 2022 op Joolz.com zijn geregistreerd, krijgen acht jaar extra garantie mits de kinderwagen binnen zes maanden na aankoop is geregistreerd. Voor gratis extra garantie garandeert Joolz (als fabrikant) consumenten dat het product vrij is van materiaal- en fabricagefouten en garandeert Joolz een normale werking onder normale omstandigheden, overeenkomstig gebruikershandleidingen en technische specificaties, gedurende acht jaar extra na de standaard garantie. In alle gevallen moet bij het indienen van een garantieclaim een aankoopbewijs worden overlegd.

De fabrieksgarantie geldt alleen in de regio waarin het product is gekocht.

## DE GARANTIE KAN BESTAAN UIT:

- Vervangende onderdelen die eenvoudig kunnen worden gebruikt door de consument of retailer
- Joolz levert uitsluitend onderdelen die grondig zijn getest en die eenvoudig kunnen worden gemonteerd met of zonder instructies.
- Joolz vervangt producten alleen voor soortgelijke producten. Desondanks houdt Joolz zich het recht voor om bepaalde modellen, kleuren, bekledingen of accessoires niet langer te voeren. Bij vervanging tijdens de garantieperiode zullen consumenten in dat geval een ander gelijkwaardig product ontvangen met een vergelijkbare kleur of bekleding.
- Vervangingen geven geen recht op verlenging van de garantieperiode.
- Onder de Joolz garantie vallen ook defecten aan Joolz producten die tweedehands zijn gekocht mits de kinderwagen na aankoop is overgedragen en geregistreerd is op joolz.com.
- Het vervangende product geeft geen recht op verlenging van de garantieperiode.

## WAT VALT ONDER DE UITGEBREIDE GARANTIE?

- De garantie geldt voor alle Joolz kinderwagens en Joolz Aer die zijn verkocht op of na 1 september 2022. De gratis extra garantie dekt het volgende:
- Alle fabrieksfouten betreffende het onderstel, wiegframes, stoelframes, kunststof stoelonderdelen en wielen

## WAT VALT NIET ONDER DE UITGEBREIDE GARANTIE?

- Normale slijtage
- Corrosie- of roestvorming op de wielen en het onderstel door extreme omgevingsfactoren, waaronder hoge vochtigheid, zout, ijs of sneeuw of door onvoldoende onderhoud
- Onjuiste montage of de installatie van een onderdeel of accessoire van derden dat niet compatibel is met het oorspronkelijke design
- Onopzettelijke of opzettelijke beschadiging, misbruik of verwaarlozing
- Onjuiste opslag van/zorg voor het product
- Schade aan de handgrepen van de duwbeugel of bekleding als gevolg van normaal en/of dagelijks gebruik
- Wanneer het product niet op normale wijze en overeenkomstig de instructies van de fabrikant is gebruikt
- Als een reparatie of modificatie is uitgevoerd door een onbevoegde of als het product is gedemonteerd zonder toestemming van Joolz
- Luchthaven-/transport schade: controleer je Joolz-product zorgvuldig nadat het is verwerkt door een luchtvaartmaatschappij (of andere transporteur) en dien de claim rechtstreeks in bij de betreffende transporteur.

- Ontevredenheid over het product bij consumenten betreffende geschiktheid, gewicht, functionaliteit, kleur of stijl
- Als het serienummer is beschadigd of verwijderd.

Joolz houdt zich het recht voor de voorwaarden van de uitgebreide op enig moment te wijzigen.

## BELANGRIJK

De fabrieksgarantieperiode voor dit product is 24 maanden vanaf de aankoopdatum die op de bon is vermeld. Bewaar de bon op een veilige plek en maak hier een kopie van.

Als je een claim indient onder deze garantie, neem dan eerst contact op met de winkel waar je het product hebt gekocht.

Wanneer de retailer het defect niet kan repareren of wanneer je het product direct bij Joolz hebt gekocht, neem dan contact op met Joolz door een e-mail te sturen naar [info@joolz.com](mailto:info@joolz.com)

Voor klachten die zich voordoen buiten de garantieperiode neem je ook eerst contact op met de winkel waar je het product hebt gekocht.

Joolz behoudt zich het recht voor om de bepalingen van deze fabrieksgarantie te wijzigen. U vindt de bepalingen van de meest actuele fabrieksgarantie op onze website: [joolz.com/warranty](http://joolz.com/warranty)

## VERVANGBARE ONDERDELEN

Wij zijn er trots op dat wij hoogwaardige producten maken die voldoen aan de hoogste kwaliteitsnormen. Neem contact op met je retailer wanneer je een onderdeel van je Joolz product moet vervangen. Of koop beschikbare onderdelen direct via [joolz.com](http://joolz.com)

# Garantie standard de 2 ans du fabricant

## GARANTIE STANDARD JOOLZ

Le fabricant, Milk Design BV, dont le siège social est situé à Amsterdam (ci-après dénommé « Joolz » dans le présent document), livre ses poussettes et accessoires (ci-après dénommés conjointement et séparément « produit » dans le présent document) sous garantie, aux conditions suivantes:

1. La période de garantie du fabricant est de 24 mois à compter de la date d'achat, comme indiqué sur la preuve d'achat. La période de garantie restante pour le produit original concerne une pièce ou un produit de remplacement, ou un produit réparé.
2. Cette garantie du fabricant s'applique uniquement dans la région où le produit a été acheté.

Joolz garantit uniquement que le produit est conforme aux dispositions légales et/ou aux réglementations gouvernementales applicables dans la région dans laquelle le produit a été vendu.

Joolz se réserve le droit d'appliquer une garantie du fabricant différente pour ces régions spécifiques.

Cette garantie du fabricant s'applique uniquement à un produit acheté pour un usage privé.

Cette garantie du fabricant ne s'applique expressément pas à un produit utilisé à des fins commerciales, y compris, mais sans s'y limiter, les produits destinés à la location commerciale.

3. La garantie du fabricant donne droit à une réparation, sauf si Joolz estime que le remplacement du produit est nécessaire.

4. Joolz se réserve le droit de ne plus proposer certains modèles, couleurs, habillages ou accessoires. En cas de remplacement pendant la période de garantie, le consommateur recevra dans ce cas un autre produit équivalent de couleur ou d'habillage similaire. Joolz se réserve en outre le droit de remplacer un châssis entier ou d'envoyer des pièces reconditionnées en remplacement.
5. Afin de faire valoir la garantie du fabricant, vous devez fournir à Joolz les éléments suivants:
  - une copie de la preuve d'achat datée,
  - une description claire de la plainte et
  - le produit défectueux et/ou des photos de la pièce ou du produit défectueux.
6. La garantie du fabricant n'affecte pas vos droits légaux, par exemple le droit de tenir le détaillant responsable des défauts.

## QU'EST-CE QUI EST COUVERT PAR LA GARANTIE DU FABRICANT?

La garantie du fabricant s'applique au produit et couvre ce qui suit :

- tous les défauts de fabrication sur le châssis, le cadre et les roues;
- tous les défauts de fabrication des adaptateurs;
- les zips;
- toutes les pièces du harnais de votre poussette Joolz;
- les coutures de l'habillage;
- les fermetures velcro;
- la solidité des couleurs. Les décolorations qui peuvent être considérées comme une usure normale sont exclues. Une exposition prolongée à la lumière du soleil peut entraîner une certaine décoloration et est considérée comme une usure normale.

## LA GARANTIE DU FABRICANT EST ANNULÉE DANS LES CIRCONSTANCES SUIVANTES :

- Si vous avez modifié ou réparé vous-même le produit, ou si vous l'avez fait modifier ou réparer, sans le consentement écrit préalable de Joolz ou du détaillant. En cas de réparation par un conscient point Joolz, la garantie du fabricant sera maintenue.
- Les défauts causés par une négligence, un manque d'attention ou un accident et/ou par une utilisation ou un entretien autres que ceux décrits dans le mode d'emploi.
- Si le numéro de série est endommagé ou retiré.
- Les dommages au produit résultant de l'usure normale.
- Le montage incorrect ou l'installation d'une pièce ou d'un accessoire de tiers incompatible avec le produit.
- Les dommages accidentels ou involontaires, une utilisation anormale ou un entretien insuffisant.
- Un entreposage/entretien inadéquat du produit.
- Les dommages au guidon ou à l'habillage résultant d'une utilisation quotidienne normale du produit.
- Les trous ou fissures dans les pneus.
- Les dommages dus à une utilisation incorrecte ou au non-respect du mode d'emploi.
- Les dommages résultant de réparations effectuées par des personnes non autorisées ou d'un démontage incorrect du produit.
- Les dommages liés au transport (en cas de transport par avion ou autre moyen de transport) : inspectez soigneusement votre produit Joolz après son transport par la compagnie aérienne (ou un autre transporteur). En cas de dommage, déposez immédiatement une réclamation auprès du transporteur.

L'insatisfaction du client concernant le produit en termes d'ajustement, de poids, de fonctionnalité, de couleur ou de conception

# 8 ans de garantie supplémentaire

## GARANTIE PROLONGÉE

Toutes les poussettes et buggys Joolz enregistrés sur Joolz.com à partir du 1er septembre 2022 bénéficieront d'une garantie supplémentaire de 8 ans, à condition que la poussette soit enregistrée dans les six mois suivant son achat. Pour la garantie supplémentaire gratuite, Joolz (en tant que fabricant) garantit au consommateur que le produit est exempt de défauts de matériaux et de fabrication et garantit un fonctionnement normal dans des conditions normales, conformément aux manuels d'utilisation et aux spécifications techniques, pour une période supplémentaire de huit ans au-delà de la garantie standard. Dans tous les cas, la preuve d'achat doit être présentée lorsqu'il est fait appel à la garantie.

La garantie du fabricant s'applique uniquement dans la région où le produit a été acheté.

## LA GARANTIE PEUT INCLURE:

- Les pièces de rechange pouvant être facilement utilisées par le consommateur ou le détaillant
- Joolz fournit uniquement des pièces qui ont été testées de manière approfondie et qui peuvent être montées facilement avec ou sans instructions.
- Joolz remplace uniquement les produits par des produits similaires. Néanmoins, Joolz se réserve le droit de ne plus proposer certains modèles, couleurs, habillages ou accessoires. En cas de remplacement pendant la période de garantie, le consommateur recevra dans ce cas un autre produit équivalent de couleur ou d'habillage similaire
- Les remplacements ne donnent pas droit au consommateur à une prolongation de la période de garantie.
- La garantie Joolz couvre également les défauts des produits Joolz achetés d'occasion, à condition que la poussette ait été transférée après l'achat et enregistrée sur joolz.com.

- Le produit de remplacement ne donne pas droit à une prolongation de la période de garantie.

## QU'EST-CE QUI EST COUVERT PAR LA GARANTIE PROLONGÉE?

- La garantie s'applique à toutes les poussettes Joolz et Joolz Aer vendues le 1er septembre 2022 ou après cette date. La garantie supplémentaire gratuite couvre les éléments suivants:
- Tous les défauts de fabrication concernant le châssis, les cadres de nacelle, les cadres de siège, les pièces de siège en plastique et les roues.

## QU'EST-CE QUI N'EST PAS COUVERT PAR LA GARANTIE PROLONGÉE?

- L'usure normale
- La corrosion ou la rouille des roues et du châssis causée par des conditions environnementales extrêmes, notamment une humidité élevée, du sel, de la glace ou de la neige, ou par un entretien inadéquat
- Le montage incorrect ou l'installation d'une pièce ou d'un accessoire de tiers incompatible avec le design original
- Les dommages accidentels ou délibérés, une utilisation anormale ou la négligence.
- L'entreposage/entretien inadéquat du produit
- Les dommages aux poignées du guidon ou à l'habillage résultant d'une utilisation normale et/ou quotidienne
- Lorsque le produit n'a pas été utilisé de manière normale et conformément aux instructions du fabricant
- Si une réparation ou une modification a été effectuée par une personne non autorisée ou si le produit a été démonté sans le consentement de Joolz



- Les dommages causés dans un aéroport/liés au transport : vérifiez soigneusement votre produit Joolz après qu'il ait été manipulé par une compagnie aérienne (ou un autre transporteur) et soumettez la réclamation directement au transporteur concerné.
- Une insatisfaction du consommateur concernant l'adéquation, le poids, la fonctionnalité, la couleur ou le style du produit
- Si le numéro de série est endommagé ou retiré.

Joolz se réserve le droit de modifier à tout moment les conditions de la garantie prolongée.

## IMPORTANT

La période de garantie du fabricant pour ce produit est de 24 mois à compter de la date d'achat indiquée sur le reçu. Veuillez conserver le reçu dans un endroit sûr et en faire une copie. Si vous faites une réclamation au titre de cette garantie, veuillez d'abord contacter le détaillant où vous avez acheté le produit.

Si le détaillant n'est pas en mesure de réparer le défaut, ou si vous avez acheté le produit directement chez Joolz, veuillez contacter Joolz en envoyant un courriel à [info@joolz.com](mailto:info@joolz.com)

Pour les plaintes qui surviennent en dehors de la période de garantie, veuillez également contacter d'abord le magasin où vous avez acheté le produit.

Joolz se réserve le droit de modifier les conditions de cette garantie du fabricant. Vous trouverez les conditions de la dernière version de la garantie du fabricant sur notre site Interne : [joolz.com/warranty](http://joolz.com/warranty)

## PIÈCES REMPLAÇABLES

Nous sommes fiers de fabriquer des produits de haute qualité qui répondent aux normes de qualité les plus élevées. Veuillez contacter votre détaillant au cas où vous auriez besoin de remplacer une pièce de votre produit Joolz. Ou achetez les pièces détachées disponibles directement sur [joolz.com](http://joolz.com)

# Garantía estándar de 2 años del fabricante

## GARANTÍA ESTÁNDAR DE JOOLZ

El fabricante, Milk Design BV, con sede en Ámsterdam (en lo sucesivo, «Joolz»), ofrece sus cochecitos y accesorios (en lo sucesivo denominados conjunta y separadamente «producto») con garantía, con arreglo a las siguientes condiciones:

1. El periodo de garantía del fabricante es de 24 meses a partir de la fecha de compra indicada en el comprobante de compra. El período de garantía restante para el producto original es para una pieza o producto de reemplazo, o un producto reparado.
2. Esta garantía del fabricante solo es válida en la región donde se compró el producto.

Joolz solo garantiza que el producto cumple las disposiciones legales y/o normativas gubernamentales vigentes en la zona donde se vendió el producto.

Joolz se reserva el derecho de aplicar una garantía del fabricante diferente para esas regiones específicas.

Esta garantía del fabricante solo es aplicable para un producto adquirido para uso particular.

Esta garantía del fabricante no se aplica expresamente a un producto utilizado con fines comerciales, incluidos, entre otros, los productos para alquiler comercial.

3. La garantía del fabricante da derecho a la reparación, a menos que Joolz considere necesario sustituir el producto.

4. Joolz se reserva el derecho de suspender determinados modelos, colores, telas o accesorios. En caso de sustitución durante el periodo de garantía, los consumidores recibirán otro producto equivalente con un color o tela similar. Además, Joolz se reserva el derecho de sustituir el chasis completo o de enviar piezas reacondicionadas como sustitución.
5. Para poder reclamar la garantía del fabricante, deberás proporcionar a Joolz lo siguiente:
  - Una copia del comprobante de compra con fecha;
  - Una descripción clara de la reclamación; y
  - El producto defectuoso y/o fotos de la pieza o producto defectuoso.
6. La garantía del fabricante no afecta a tus derechos legales, por ejemplo, el derecho de responsabilizar al vendedor de los defectos.

## ¿QUÉ CUBRE LA GARANTÍA DEL FABRICANTE?

La garantía del fabricante se aplica al producto y cubre lo siguiente:

- Todos los defectos de fabricación del chasis, el bastidor y las ruedas;
- Todos los defectos de fabricación de los adaptadores;
- Cremalleras;
- Todos los componentes del arnés de tu cochecito Joolz;
- Costuras en la tela;
- Cierres de velcro;
- Solidez del color. Quedan excluidas las decoloraciones que se pueden considerar como desgaste normal. La exposición prolongada a la luz solar puede provocar cierta decoloración y se considera como desgaste normal.

## LA GARANTÍA DEL FABRICANTE QUEDARÁ INVALIDADA EN LOS SIGUIENTES CASOS:

- En el caso de que hayas modificado o reparado el producto por tu cuenta, o de que hayas encargado su reparación, sin el permiso previo por escrito de Joolz o del minorista. En caso de reparación en un conscious point de Joolz, se mantendrá la garantía del fabricante.
- Defectos causados por descuido, negligencia o accidente y/o por un uso o mantenimiento distinto al descrito en las instrucciones de uso.
- Si el número de serie está dañado o se ha retirado.
- Daños en el producto debidos al desgaste normal.
- Montaje incorrecto o instalación de una pieza o accesorio de terceros que no sea compatible con el producto.
- Daños no intencionados o involuntarios, uso anormal o mantenimiento insuficiente.
- Almacenamiento/cuidado inadecuado del producto.
- Daños en el mango o la cubierta como resultado del uso diario normal del producto.
- Agujeros o grietas en los neumáticos.
- Daños debidos a un uso inadecuado o a la inobservancia de las instrucciones de uso.
- Los daños debidos a reparaciones efectuadas por personas no autorizadas o a un desmontaje incorrecto del producto.
- Daños de transporte (en caso de transporte por avión u otro medio de transporte): inspecciona cuidadosamente tu producto Joolz después de que haya sido transportado por la compañía aérea (u otro medio de transporte). En caso de daños, presenta inmediatamente una reclamación al transportista.

Insatisfacción del cliente con el producto en cuanto a ajuste, peso, funcionalidad, color o diseño.

# 8 años de garantía adicional

## GARANTÍA AMPLIADA

Todos los cochecitos y sillas de paseo Joolz registrados en Joolz.com a partir del 1 de septiembre de 2022 recibirán una garantía ampliada de 8 años si se registran en los seis meses siguientes a la compra. Para la garantía adicional gratuita, Joolz (como fabricante) garantiza a los consumidores que el producto está libre de defectos en los materiales y la mano de obra, y garantiza el funcionamiento normal en condiciones normales, de acuerdo con los manuales de usuario y las especificaciones técnicas, durante ocho años adicionales una vez expirada la garantía estándar. En todos los casos, al hacer una reclamación de garantía, se debe presentar un comprobante de compra.

La garantía del fabricante solo es válida en la región donde se compró el producto.

## LA GARANTÍA PUEDE INCLUIR:

- Piezas de repuesto que pueden ser fácilmente utilizadas por el consumidor o el minorista;
- Joolz solo entregará piezas de repuesto que hayan sido probadas a fondo y que se puedan montar fácilmente con o sin instrucciones;
- Joolz solo sustituirá los productos por otros similares. No obstante, Joolz se reserva el derecho de suspender determinados modelos, colores, fundas o accesorios. En caso de sustitución durante el periodo de garantía, los consumidores recibirán otro producto equivalente con un color o tela similar.
- Las sustituciones no dan derecho a una ampliación del periodo de garantía.
- La garantía de Joolz también cubre los defectos de los productos Joolz comprados de segunda mano, siempre que el cochecito se haya transferido después de la compra y se haya registrado en joolz.com.
- El producto de sustitución no da derecho a una ampliación del periodo de garantía.

## ¿QUÉ CUBRE LA GARANTÍA AMPLIADA?

- La garantía es válida para todos los cochecitos Joolz y Joolz Aer que se hayan vendido a partir del 1 de septiembre de 2022. La garantía ampliada gratuita cubre lo siguiente:
- Todos los defectos de fábrica relativos al chasis, bastidores del capazo, bastidores de la silla, las piezas de plástico de las sillas y las ruedas

## ¿QUÉ NO CUBRE LA GARANTÍA AMPLIADA?

- El desgaste normal;
- La corrosión u oxidación en las ruedas y el chasis debido a condiciones ambientales extremas, incluyendo un alto grado de humedad, sal, hielo o nieve, o debido a un mantenimiento inadecuado;
- Montaje incorrecto o instalación de una pieza o accesorio de terceros que no sea compatible con el diseño original;
- Daños involuntarios o deliberados, abuso o negligencia;
- El almacenamiento/cuidado inadecuado del producto;
- Daños en las asas del manillar o en la tela como consecuencia del uso normal y/o diario;
- Cuando el producto no se ha utilizado de una manera normal o no se ha utilizado de acuerdo con las instrucciones del fabricante;
- Si una persona no autorizada ha realizado una reparación o modificación o si el producto se ha desmontado sin permiso de Joolz;
- Daños en el aeropuerto/transporte: comprueba cuidadosamente tu producto Joolz después de que haya sido procesado por una aerolínea (u otro transportista) y presenta la reclamación directamente al transportista correspondiente;
- Insatisfacción del consumidor con el producto en cuanto a su idoneidad, peso, funcionalidad, color o estilo;

- Si el número de serie está dañado o se ha retirado.

Joolz se reserva el derecho de modificar los términos y condiciones en cualquier momento.

## IMPORTANTE

El período de garantía del fabricante para este producto es de 24 meses a partir de la fecha de compra indicada en el recibo. Guarda el recibo en un lugar seguro y haz una copia del mismo. Cuando hagas una reclamación en virtud de esta garantía, ponte primero en contacto con el distribuidor al que le compraste el producto.

En el caso de que el minorista no pueda reparar el defecto o si has comprado el producto directamente a Joolz, ponte en contacto con Joolz enviando un correo electrónico a [info@joolz.com](mailto:info@joolz.com)

Para las reclamaciones que se produzcan fuera del periodo de garantía, dirígete también primero a la tienda donde compraste el producto.

Joolz se reserva el derecho de modificar las condiciones de esta garantía del fabricante. Puedes encontrar las condiciones de la garantía del fabricante más actualizadas en nuestro sitio web: [joolz.com/warranty](http://joolz.com/warranty)

## COMPONENTES REEMPLAZABLES

Nos enorgullece fabricar productos de primera clase que cumplen los más altos estándares de calidad. Ponte en contacto con tu distribuidor en el caso de que necesites sustituir una pieza de tu producto Joolz. O compra directamente las piezas de recambio disponibles a través de [joolz.com](http://joolz.com)



Hello New World

JOO LZ

Enjoy the ride #myjoolz

**joolz.com**